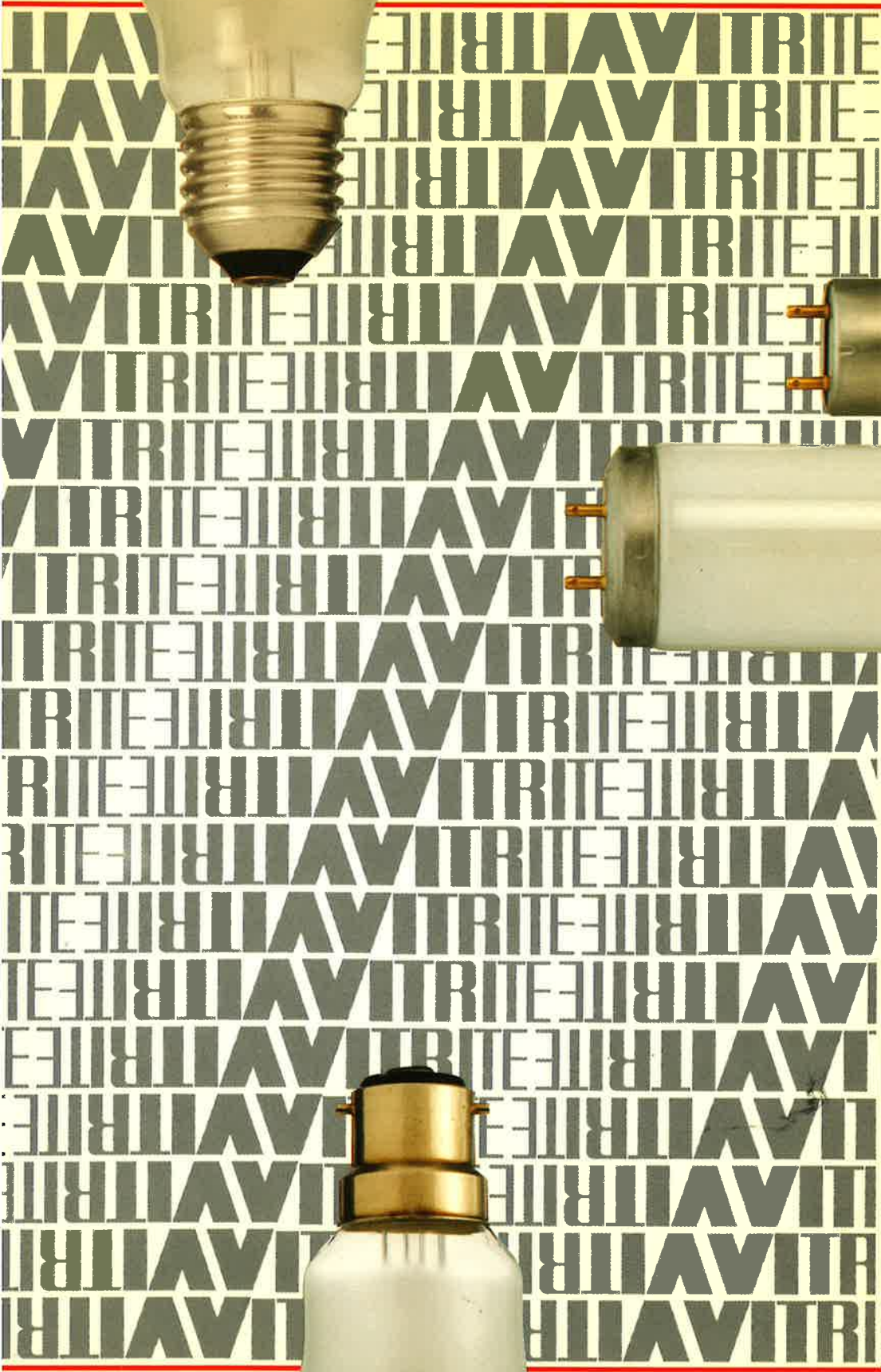
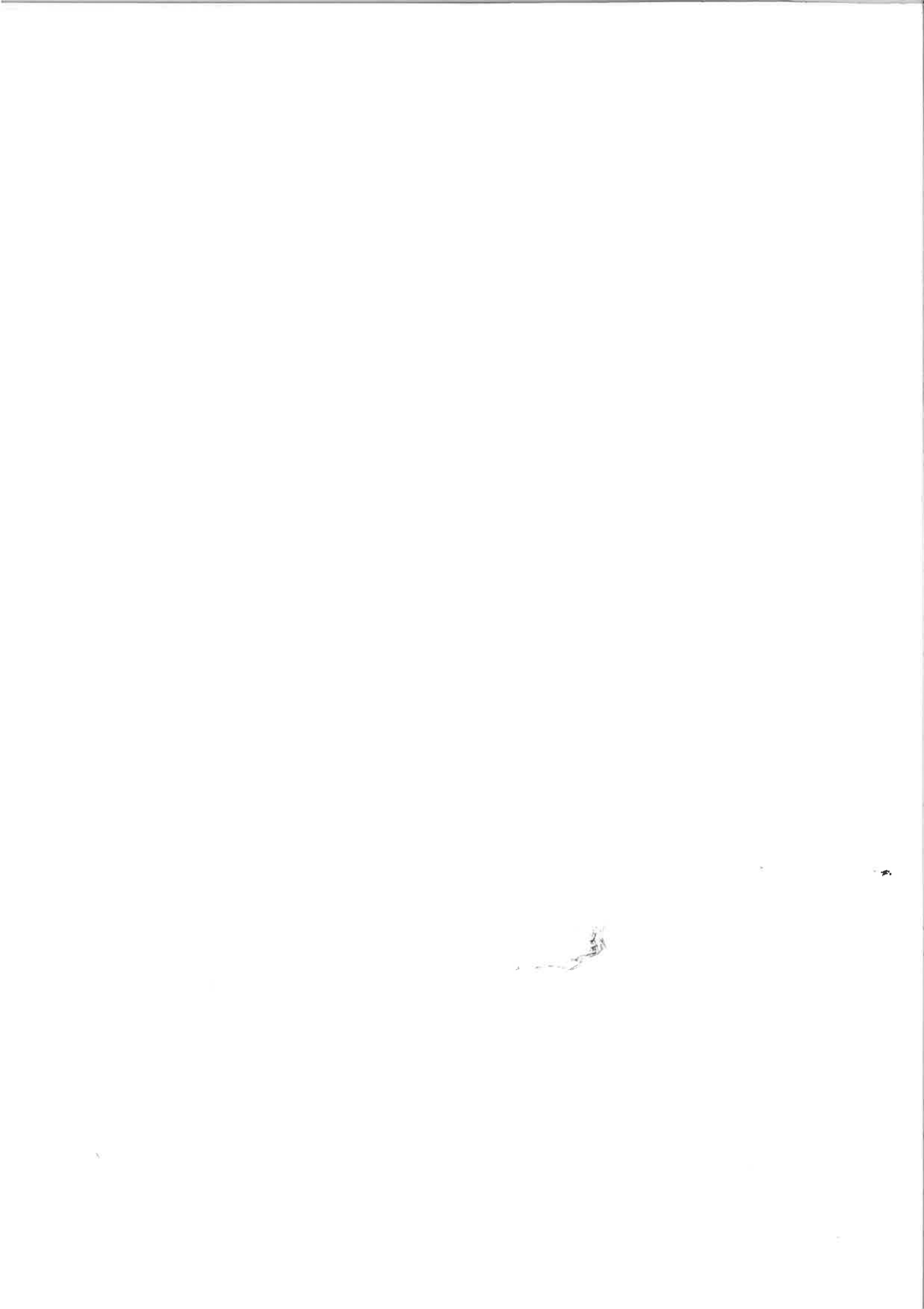


VITRITE



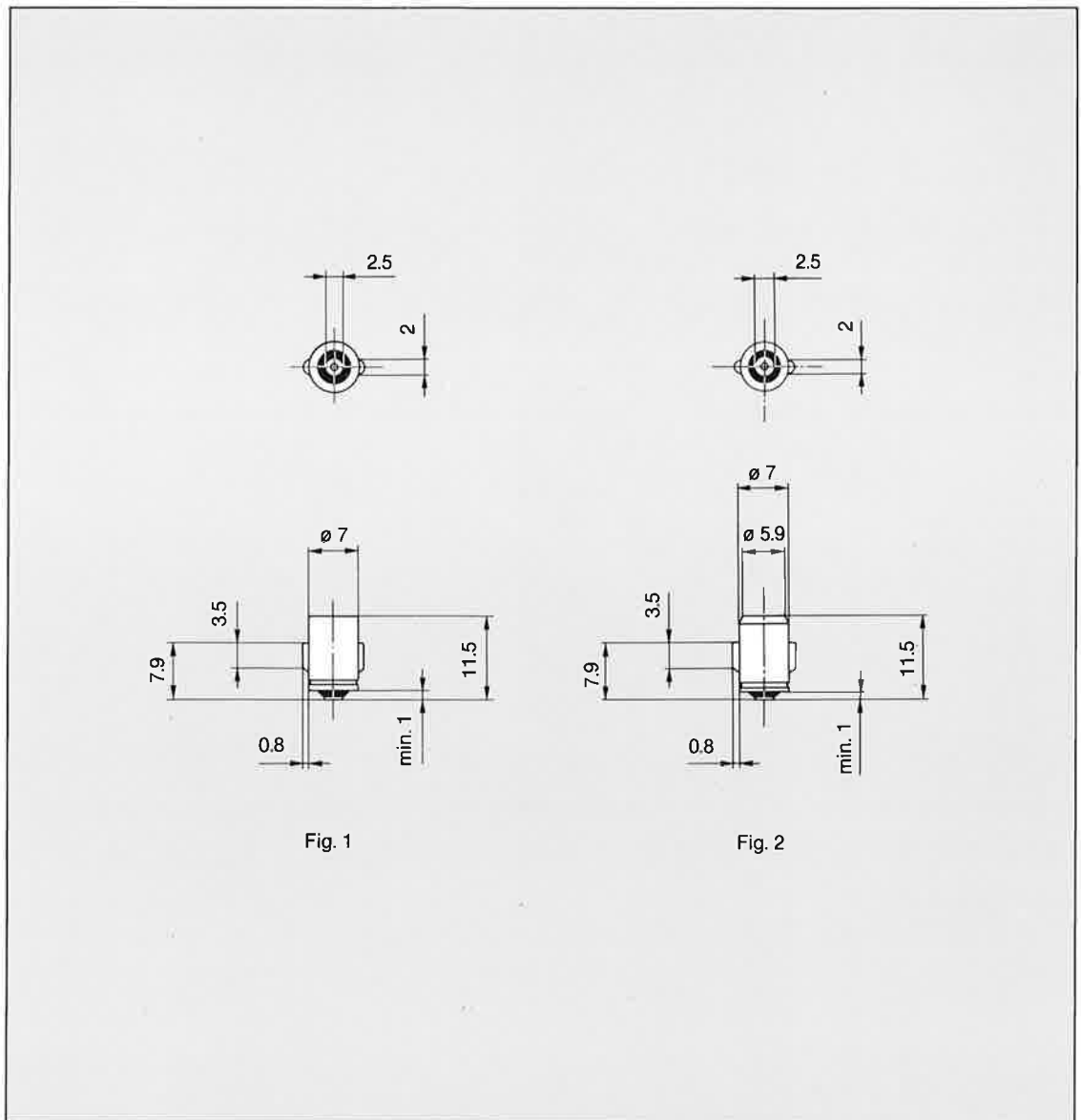
**CAPS
CULOTS
SOCKET
VIROLE
BASES
CASQUILLOS**
□金



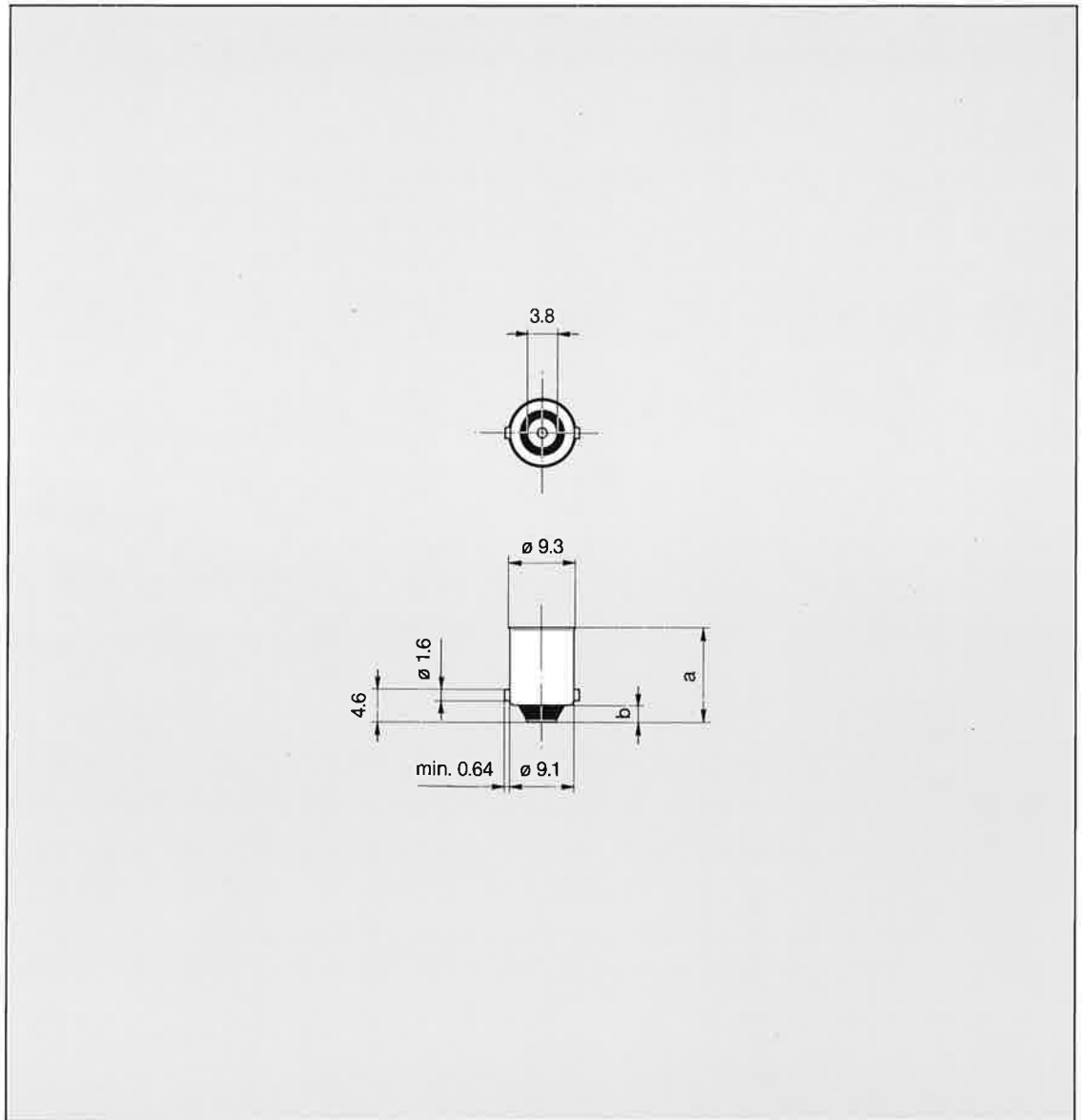
VITRITE

GENERAL INDEX

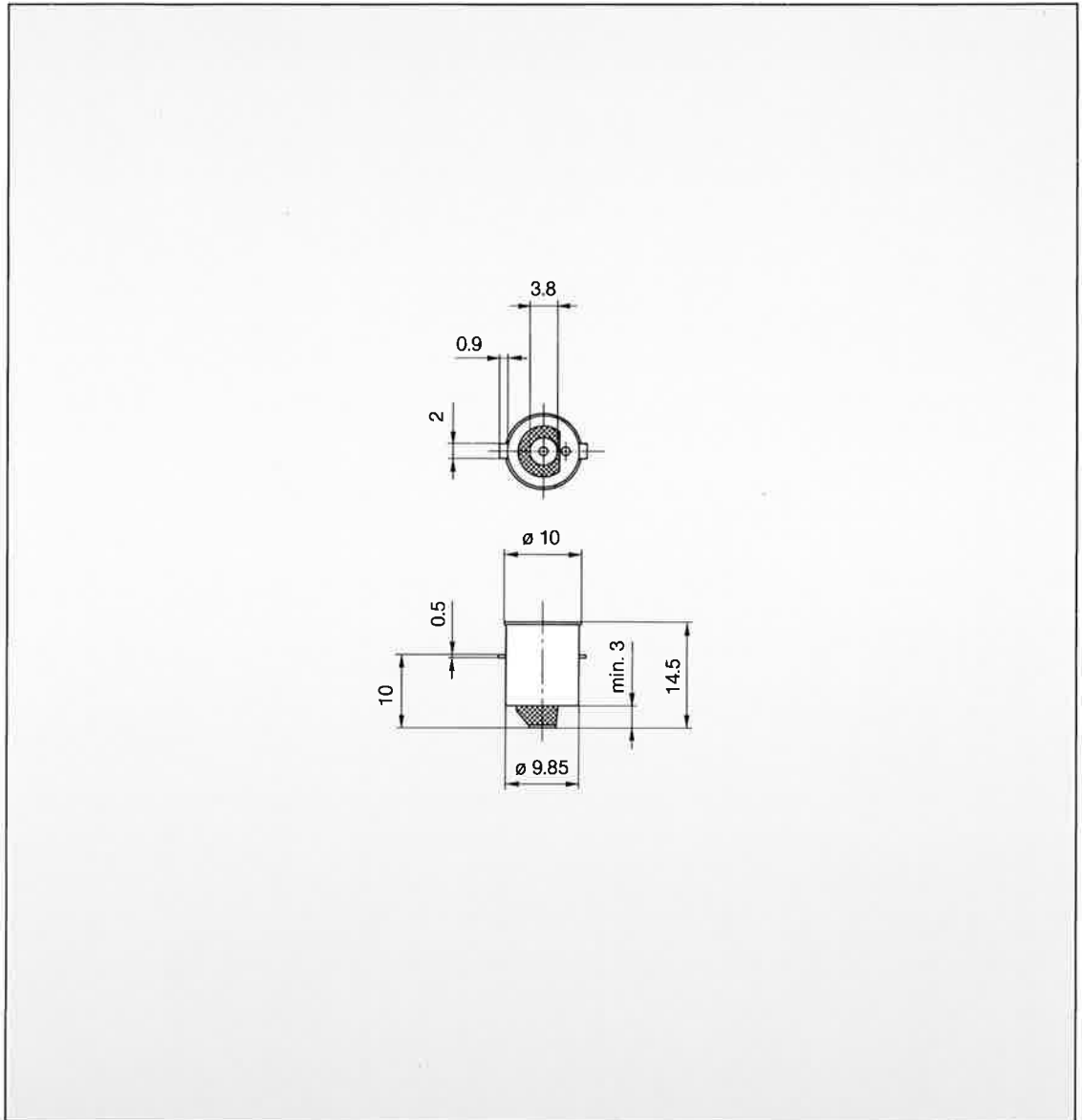
Bayonet automobile cap	BA7s
Bayonet automobile cap	BA9s
Bayonet cap	B10s
Bayonet cap	B15d
Bayonet automobile cap	BA15d
Bayonet automobile cap	BAY15d
Bayonet automobile cap	BAZ15d
Bayonet automobile cap	BA15s
Bayonet automobile cap	BA20d
Bayonet automobile cap	BA20s
Bayonet cap	B22d
Bayonet cap	BY22d
Screw cap	E5
Screw cap	E10
Prefocus screw cap	EP10
Screw cap	E12
Screw cap	E14
Screw cap	E17
Screw cap	E26
Screw cap	E26d
Screw cap	E27
Screw cap	E40
Single pin cap	Fa6
Bi-pin cap	G5
Bi-pin cap	GX9.5
Bi-pin cap	GY9.5
Bi-pin cap	G13
Cap	G16t
Bi-pin cap	GY16
Bi-pin cap	G22
Bi-pin cap	G38
Prefocus cap	P(X)13.5s
Ring for prefocus cap	P14.5
Ring for prefocus cap	PG22
Prefocus cap	P28s
Prefocus cap	P40
Ring for prefocus cap	P43t-38
Ring for prefocus cap	P45t-41
Grooved cap	S5.7s
Festoon cap	SV8.5
Special cap for tubular lamps	S14
Cap for tubular lamps	S15 and S19
Cap for projector lamps	S15s
Cap for projector lamps	SX15s



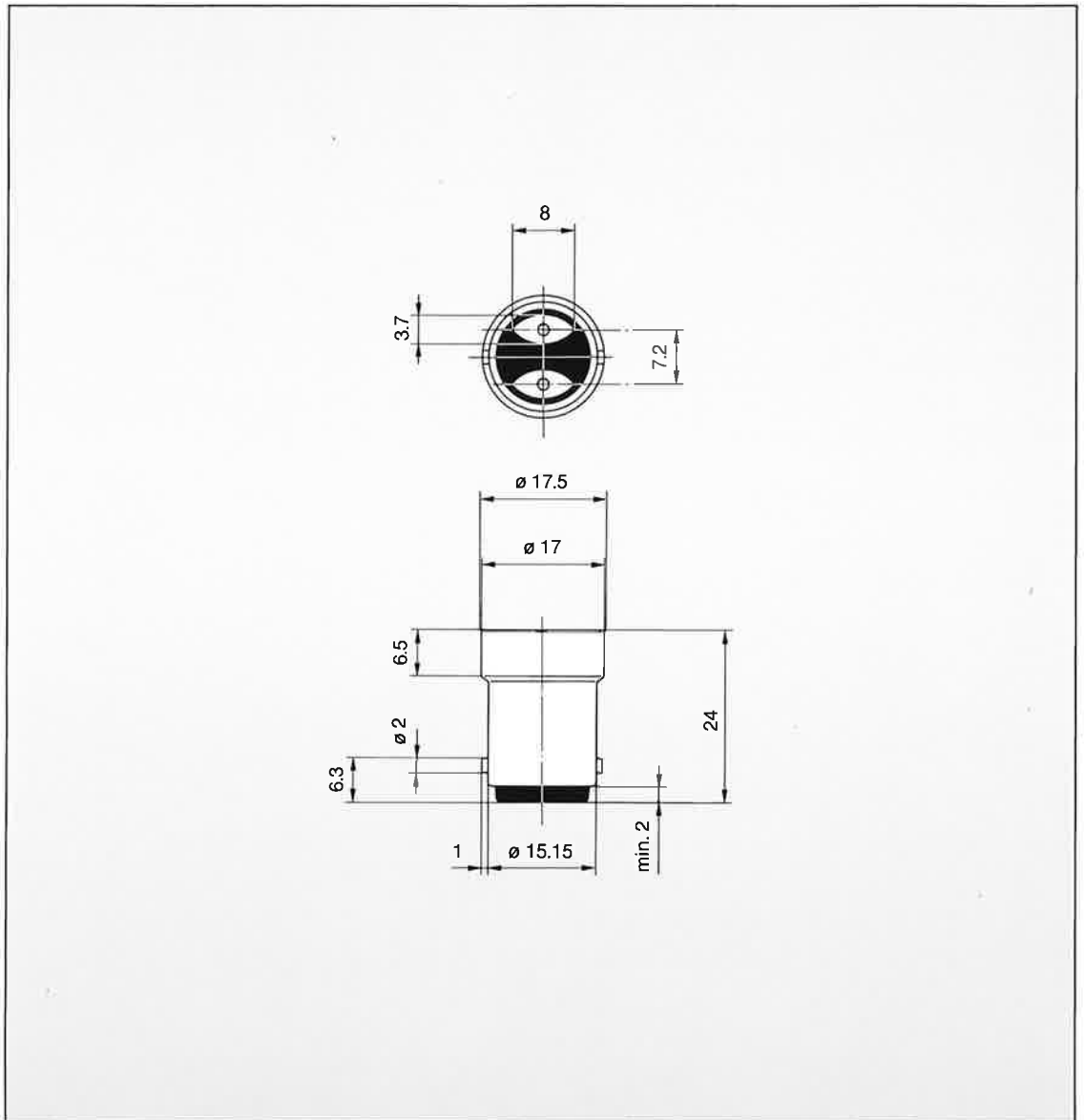
Designation	Material	Fig.	Code	Remarks
BA7s/11	brass	1	3222 064 15 ...	
BA7s/11x6	brass	2	3222 064 74 ...	spun-in rim



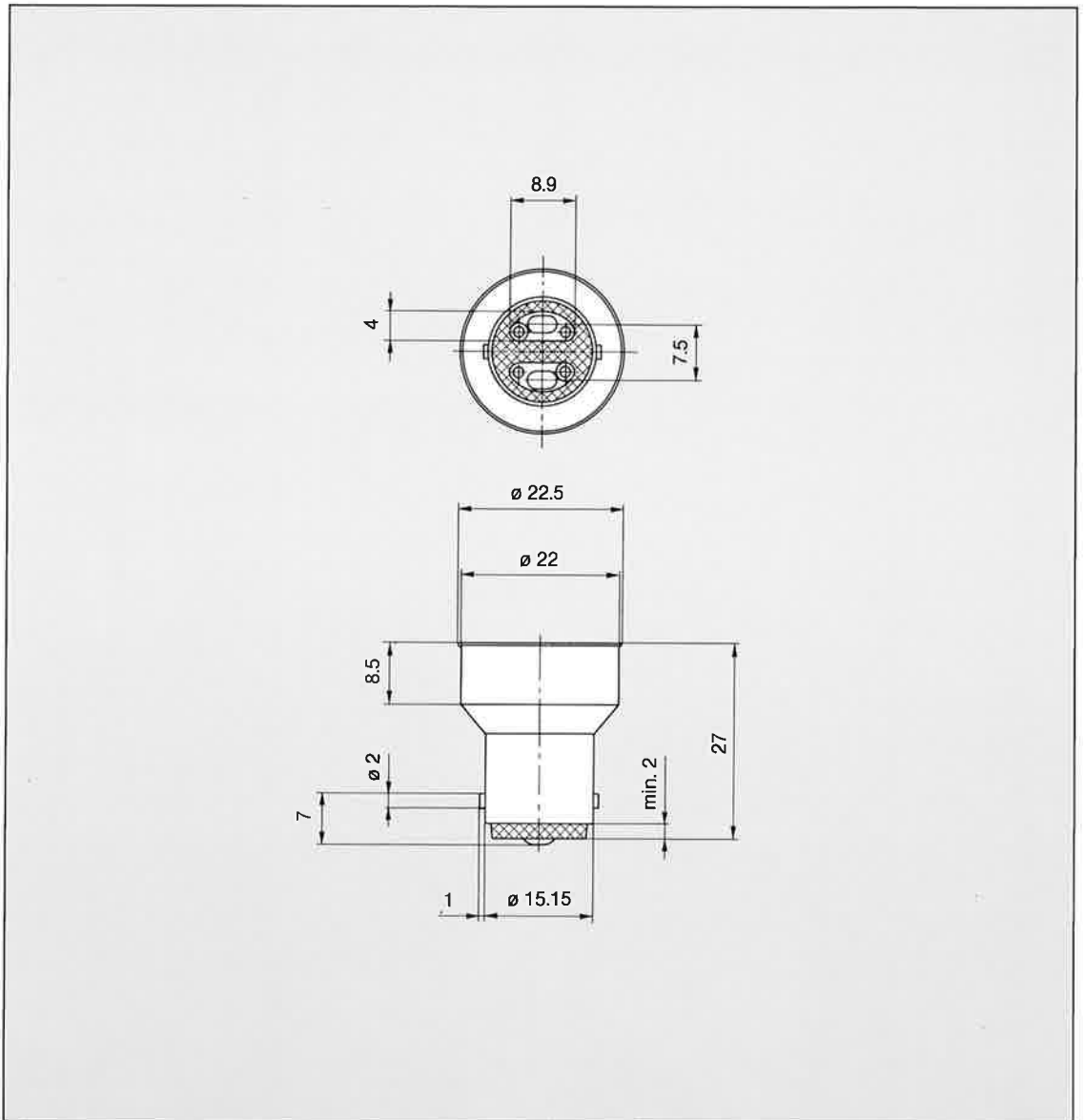
Designation	Material	Code	a	b
BA9s/ 12.5	brass	3222 064 69 ...	12.5	min. 1.8
BA9s/ 13	brass	3222 064 21 ...	13.1	min. 2.2
BA9s/ 13	cupro nickel	3222 064 79 ...	13.1	min. 2.2
BA9s/ 14	brass	3222 064 16 ...	14	min. 2.2



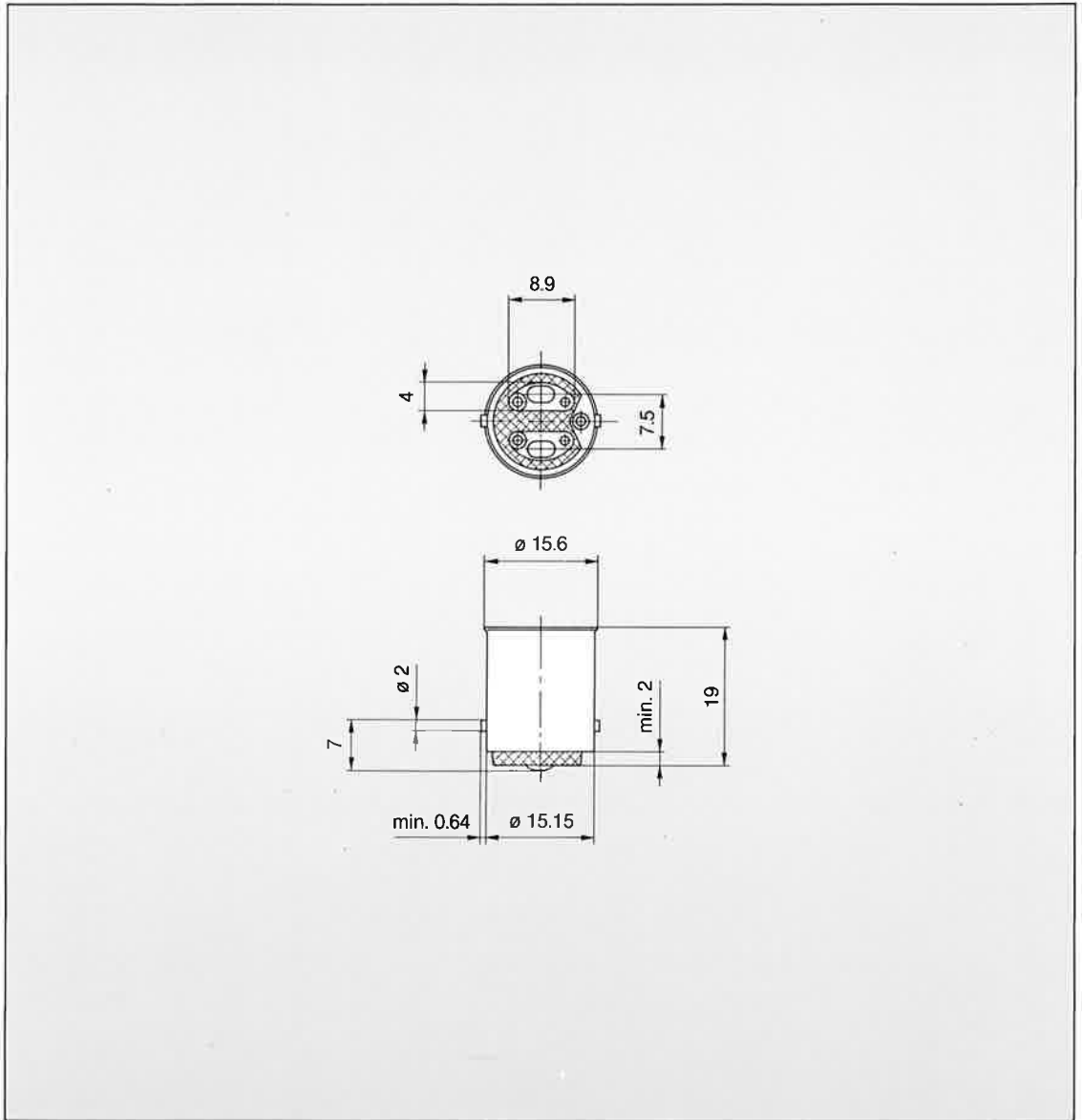
Designation	Material	Code	Remarks
B10s/14	brass	3222 064 17 ...	plastic insulator



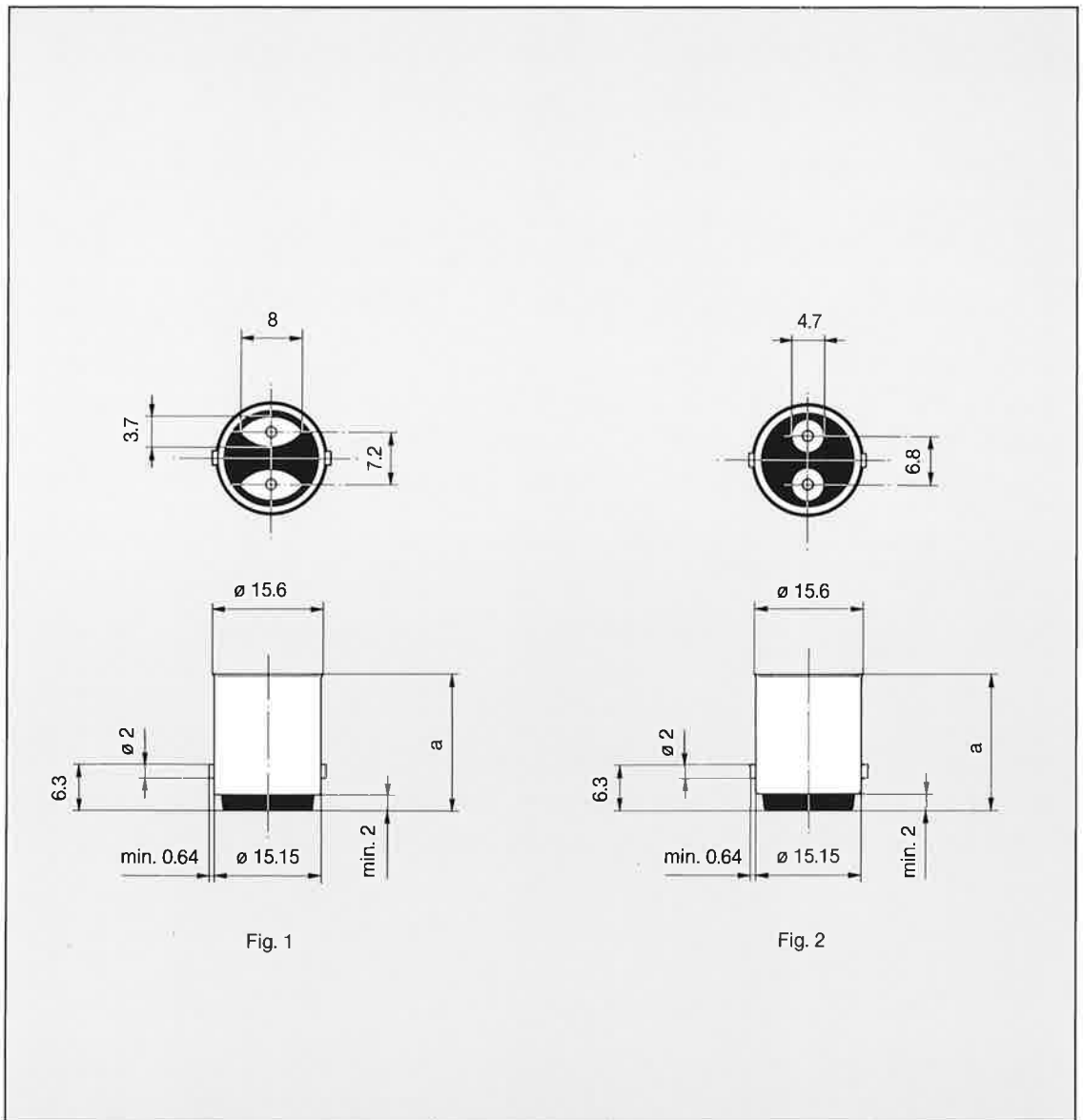
Designation	Material	Code	Remarks
B15d/24x17	brass	3222 060 00 ...	
B15d/24x17	brass	3222 060 74 ...	glass lined



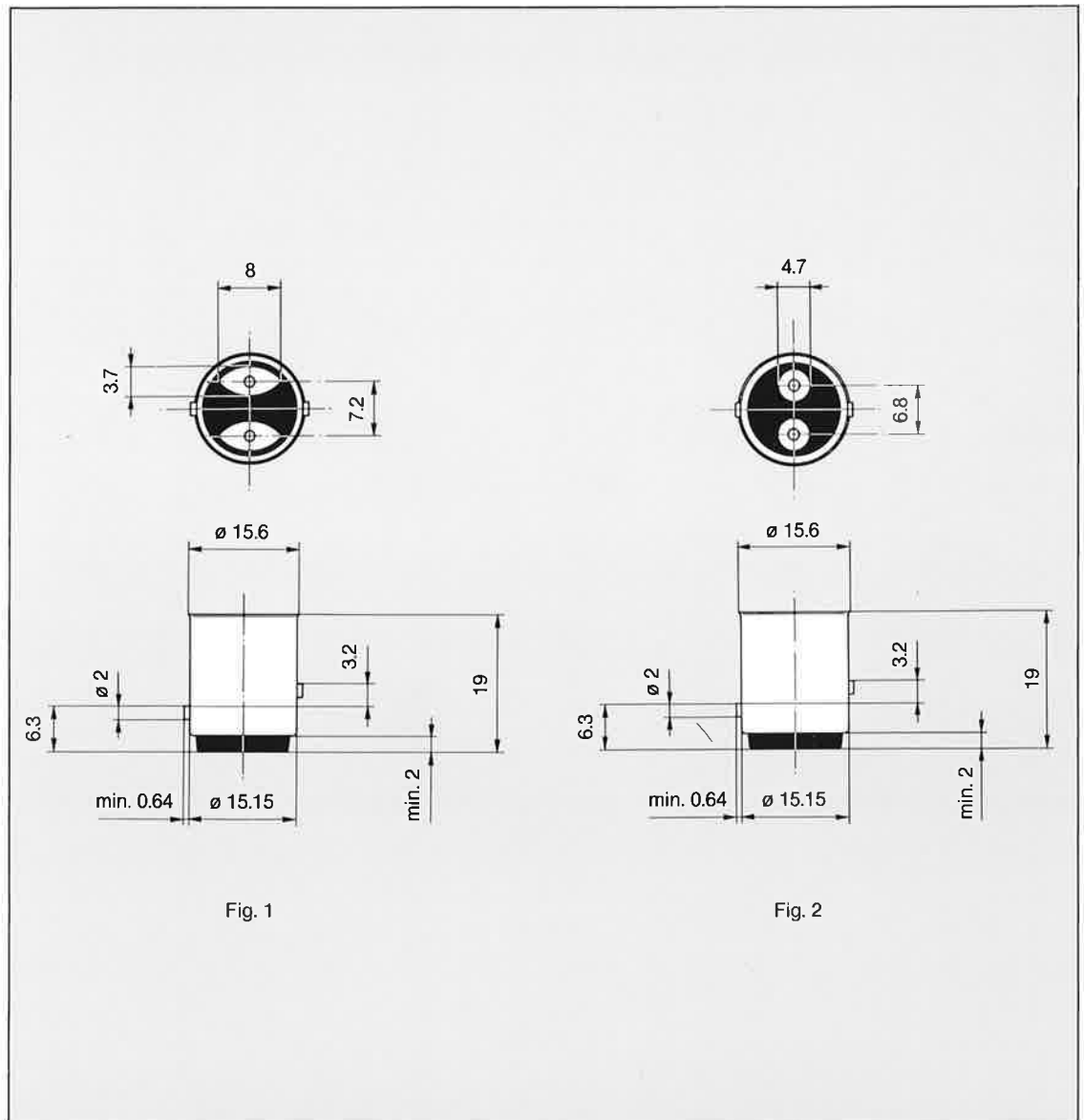
Designation	Material	Code	Remarks
B15d/27x22	brass	3222 060 83 ...	plastic insulator



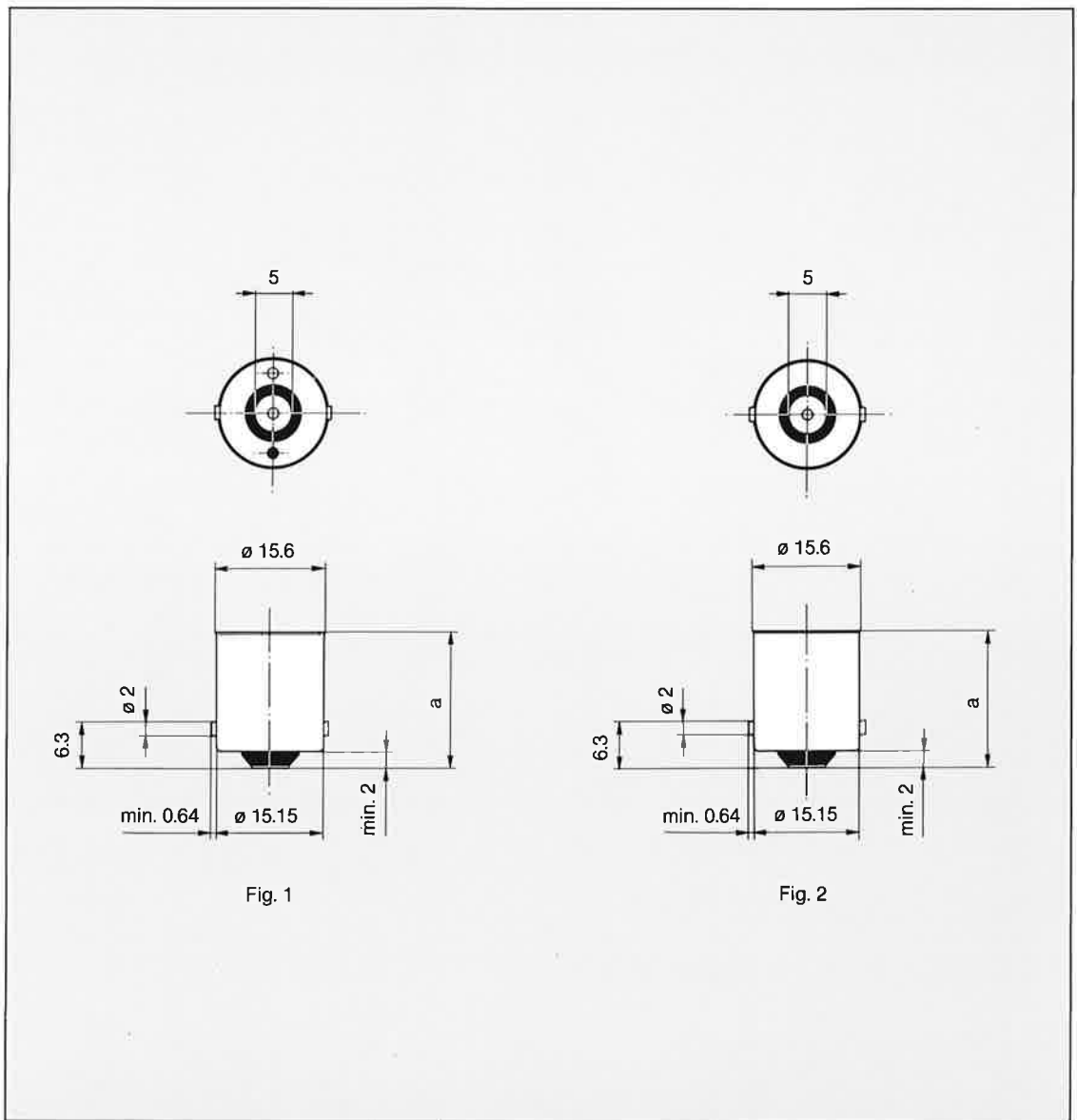
Designation	Material	Code	Remarks
BA15d / 19	brass	3222 060 35 ...	plastic insulator



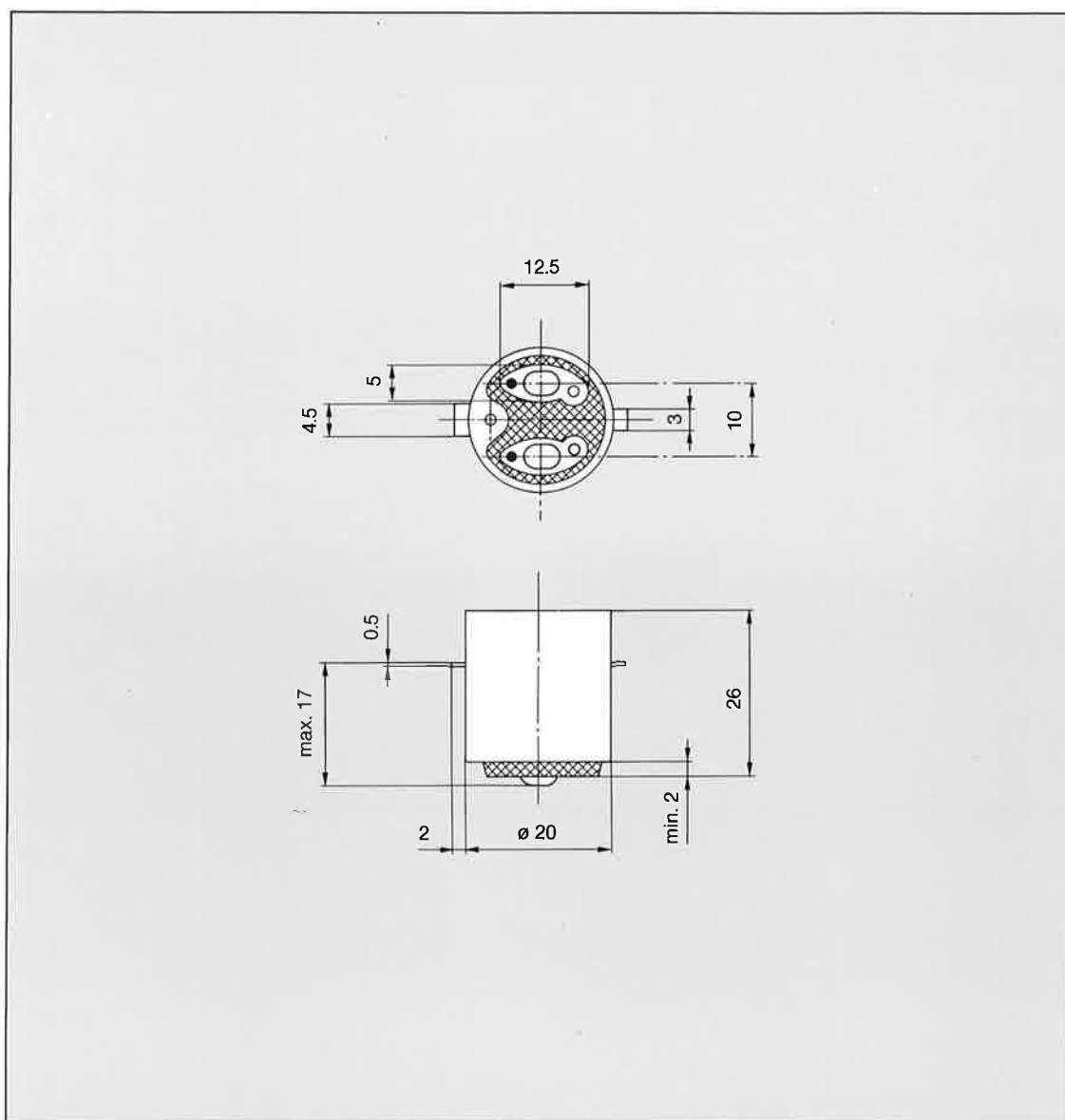
Designation	Material	Fig.	Code	a	Remarks
BA15d/17	brass	1	3222 060 57 ...	17	
BA15d/19	brass	1	3222 060 21 ...	19	
BA15d/19	brass	1	3222 060 87 ...	19	copper contacts
BA15d/19	brass	2	3222 060 58 ...	19	
BA15d/21	brass	1	3222 060 27 ...	21	



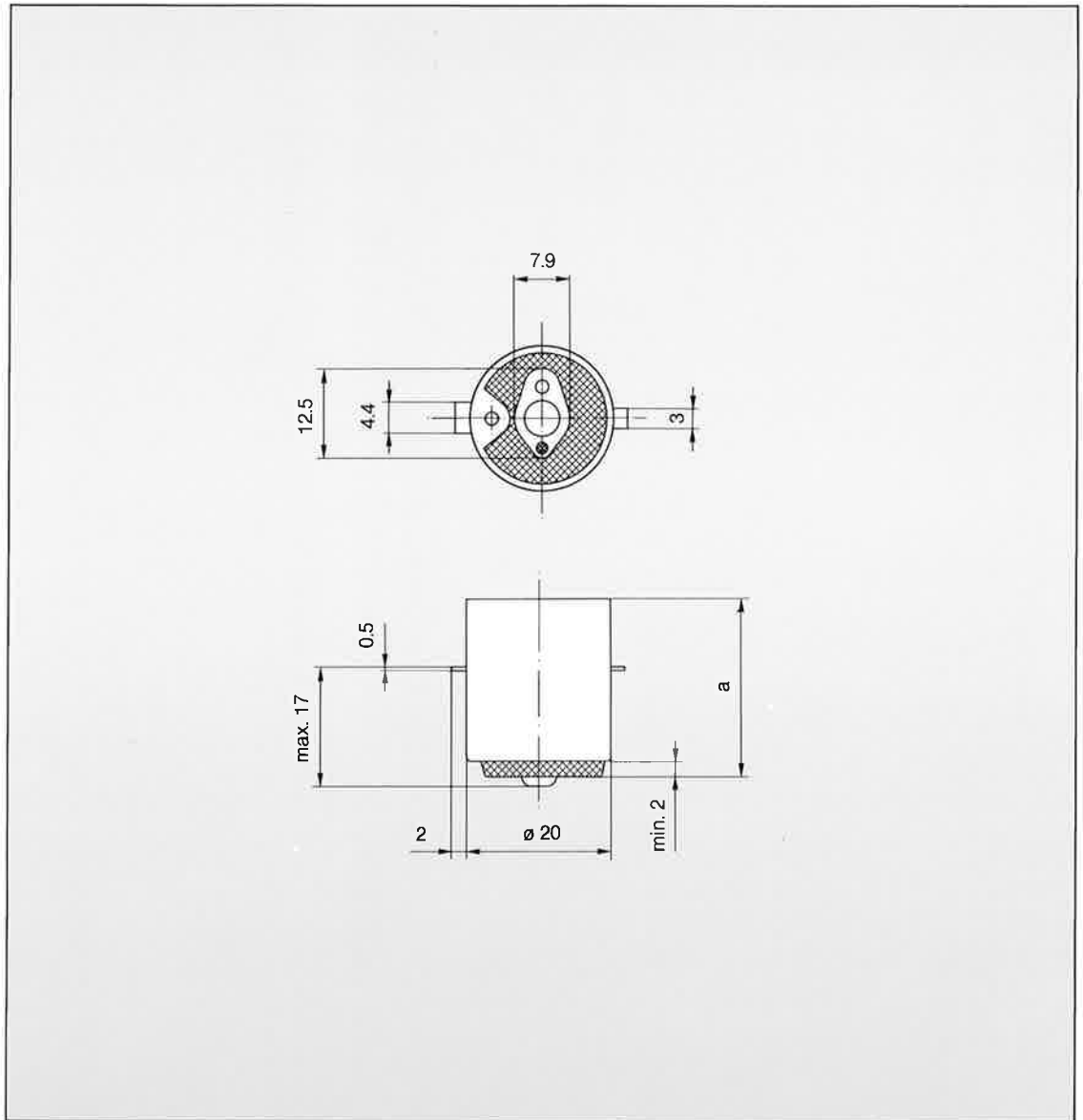
Designation	Material	Fig.	Code
BAY15d / 19	brass	1	3222 060 23 ...
BAY15d / 19	brass	2	3222 060 64 ...



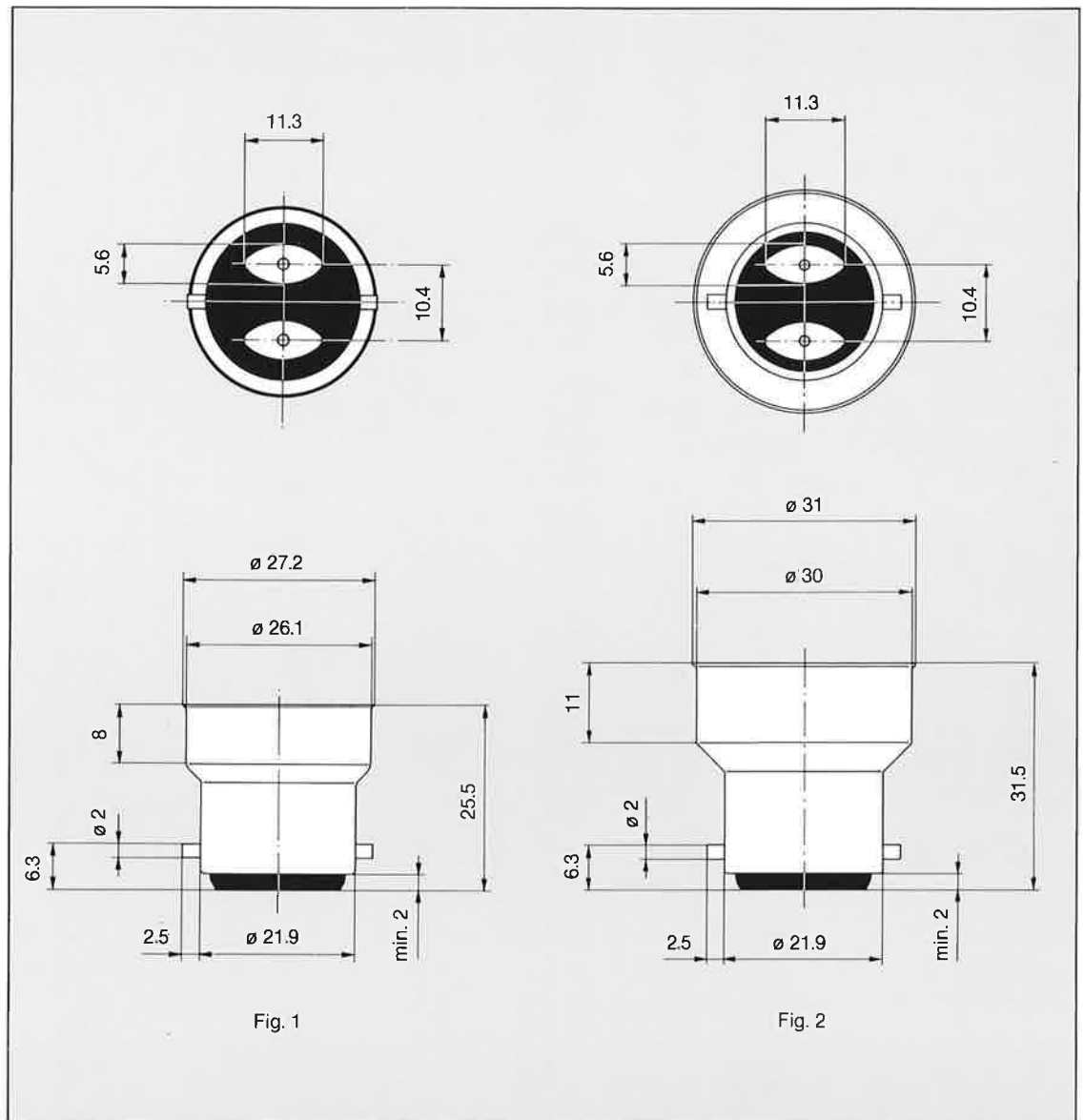
Designation	Material	Fig.	Code	a	Remarks
BA15s/17	brass	1	3222 060 13 ...	17	hole in shell bottom
BA15s/19	brass	2	3222 060 15 ...	19	hole in shell bottom
BA15s/19	brass	1	3222 060 12 ...	19	hole in shell bottom
BA15s/21	brass	1	3222 060 19 ...	21	hole in shell bottom



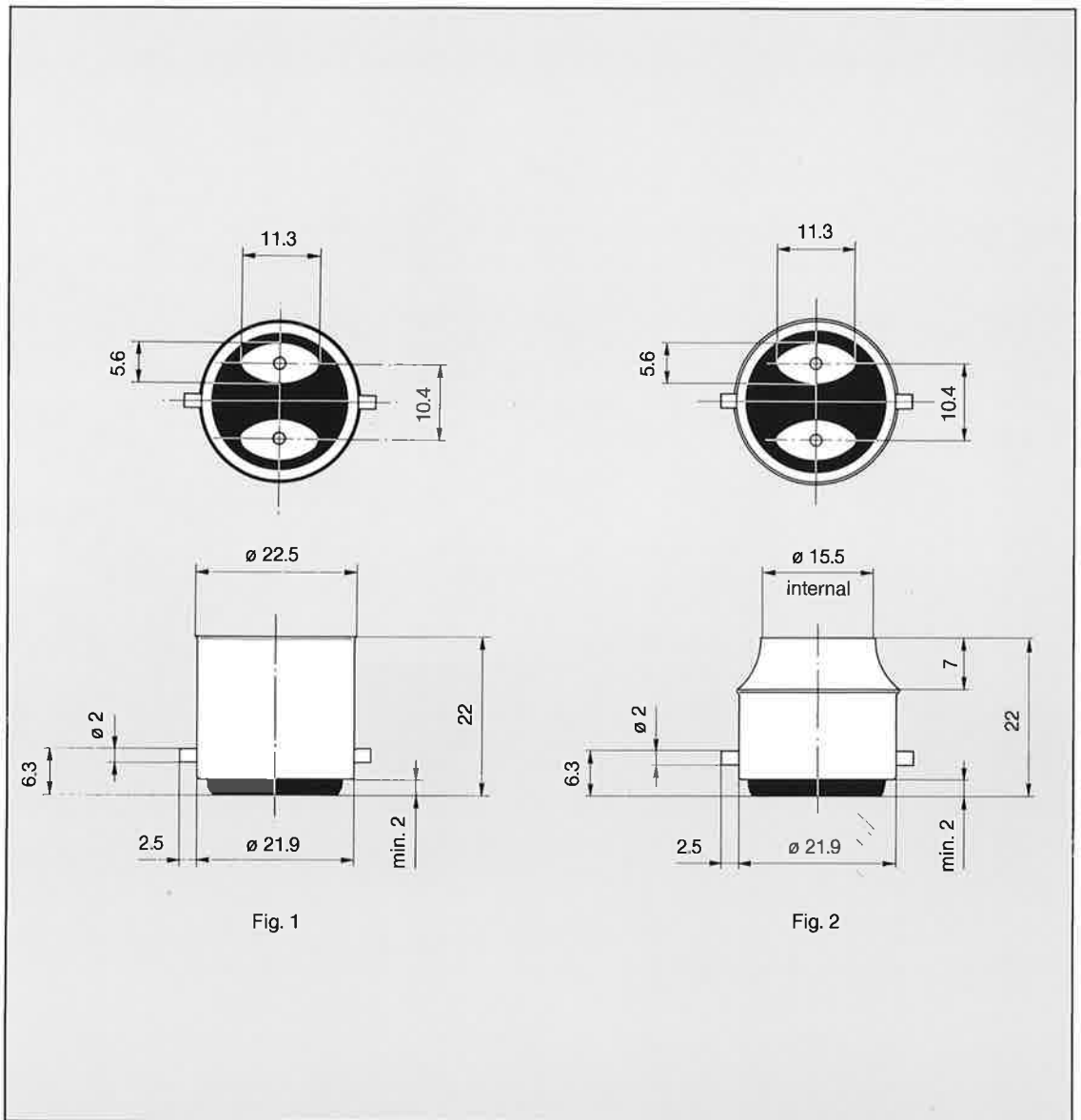
Designation	Material	Code	Remarks
BA20d/26	brass	3222 064 04 ...	plastic insulator



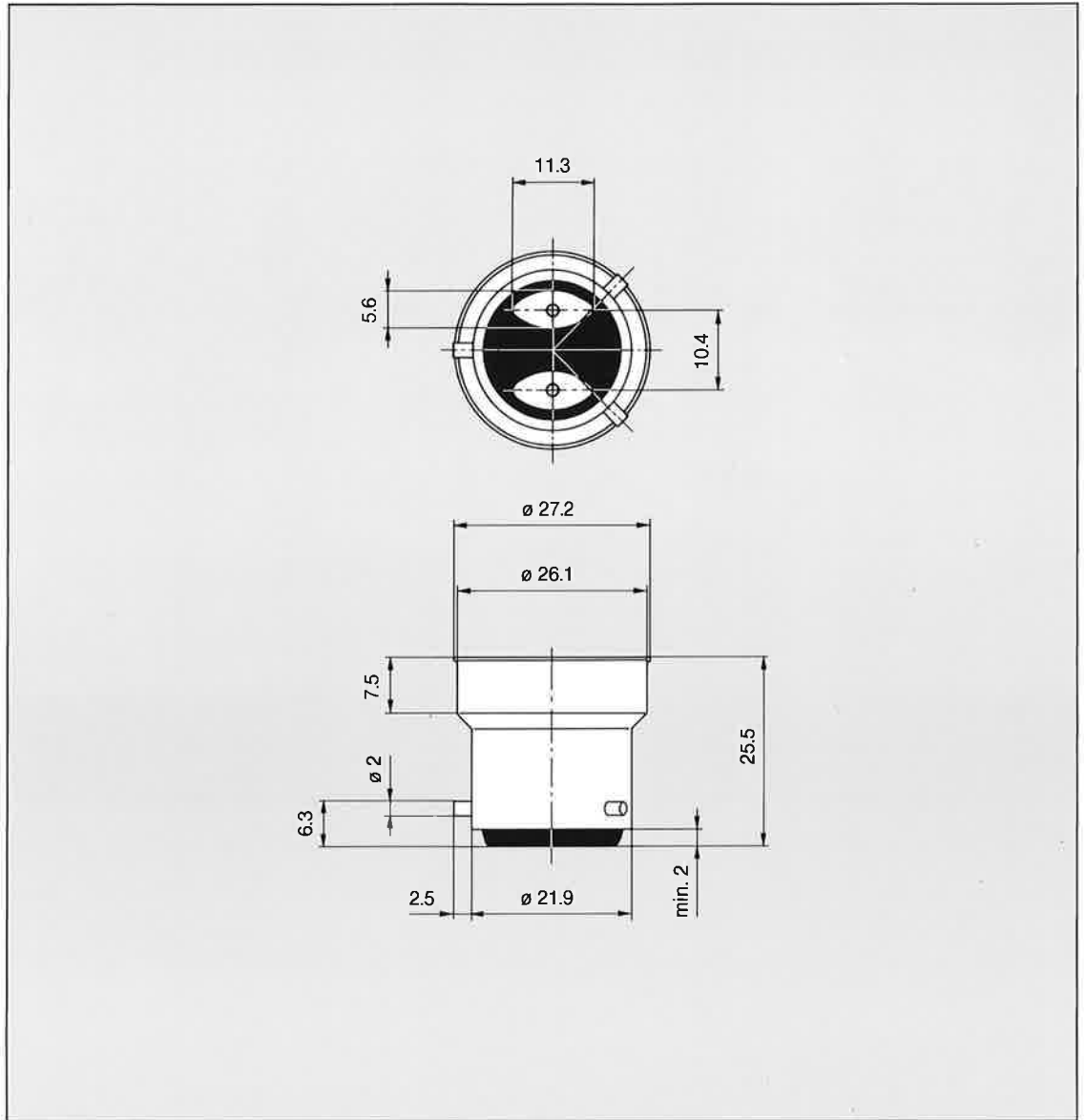
Designation	Material	Code	a	Remarks
BA20s / 23	brass	3222 064 00 ...	23	plastic insulator
BA20s / 26	brass	3222 064 01 ...	26	plastic insulator



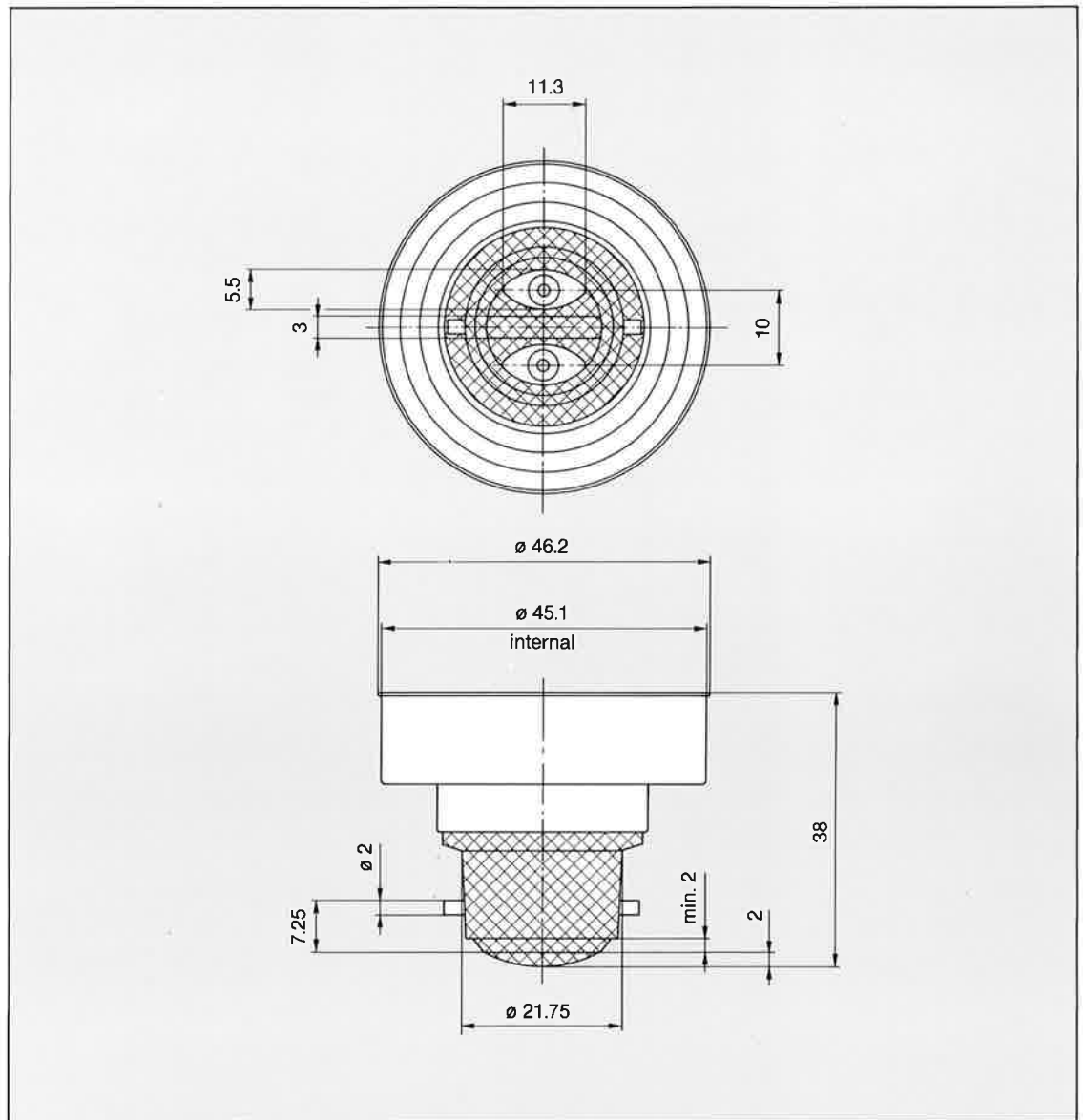
Designation	Material	Fig.	Code
B22d/25x26	brass	1	3222 058 02 ...
B22d/25x26	tombac	1	3222 058 30 ...
B22d/25x26	aluminium	1	3222 058 31 ...
B22d/31x30	tombac	2	3222 058 33 ...



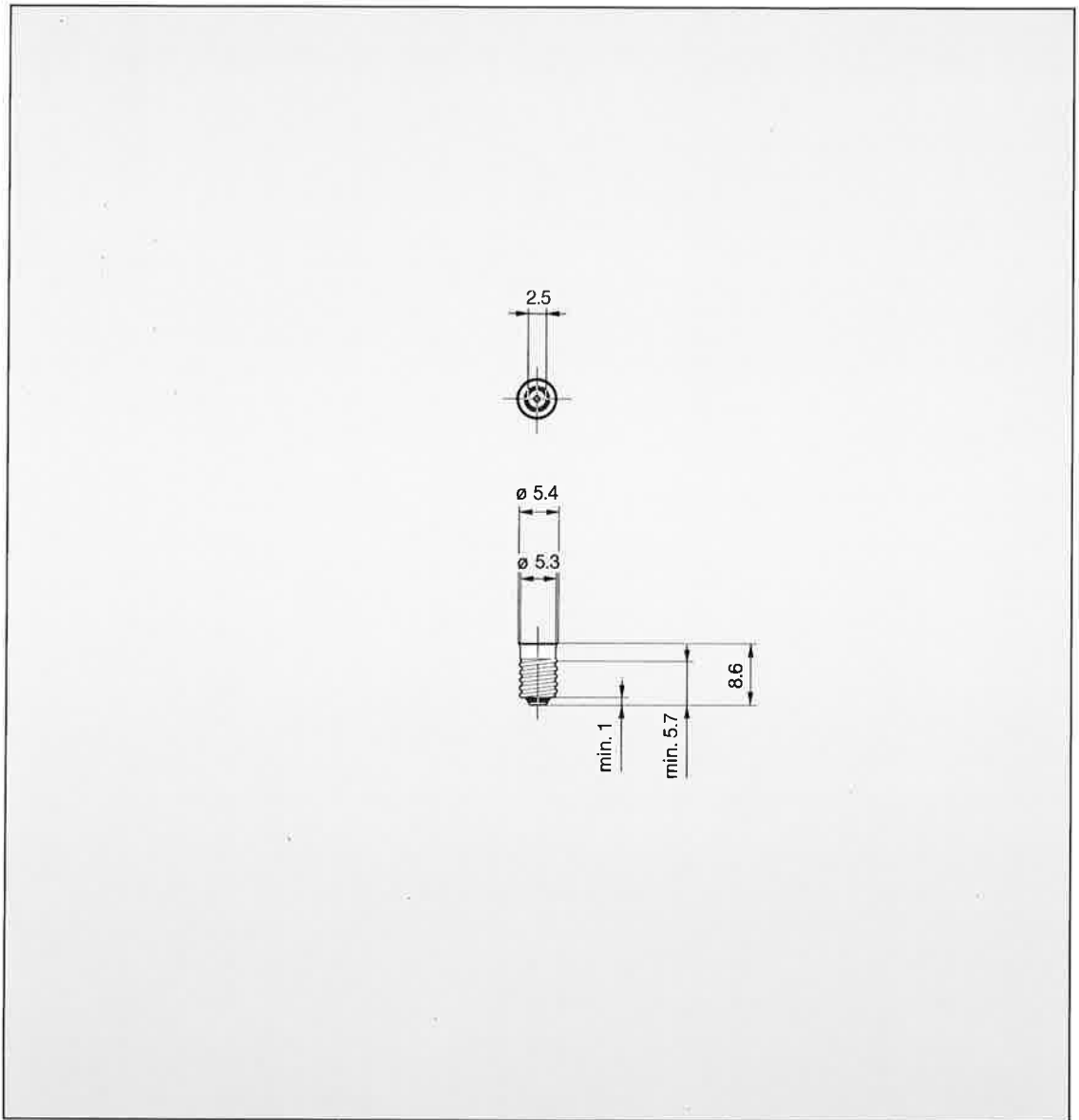
Designation	Material	Fig.	Code
B22d / 22	brass	1	3222 058 01 ...
B22d / 22x16	brass	2	3222 058 00 ...



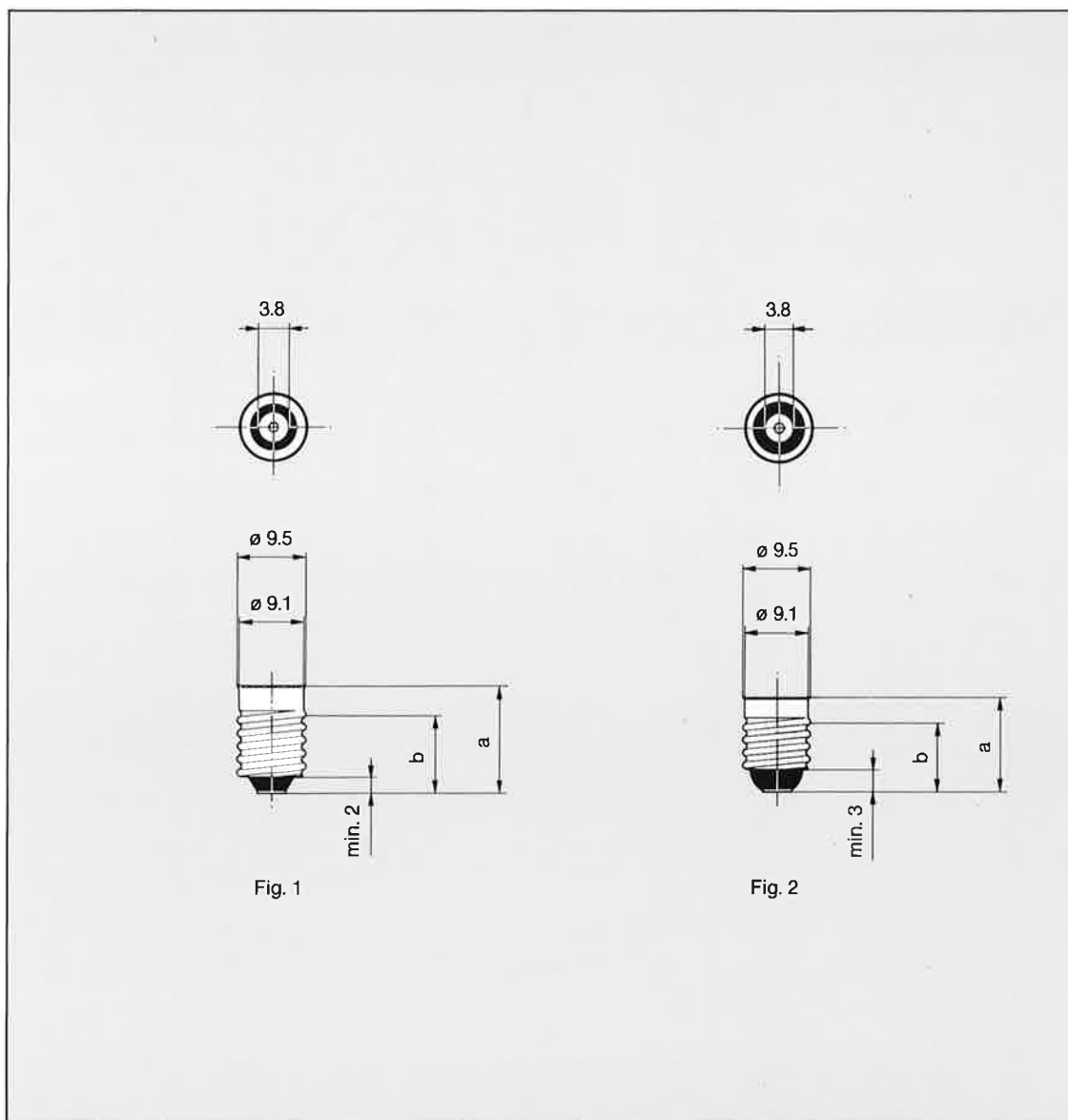
Designation	Material	Code
B22d-3(90° / 135°) / 25x26	tombac	3222 058 14...



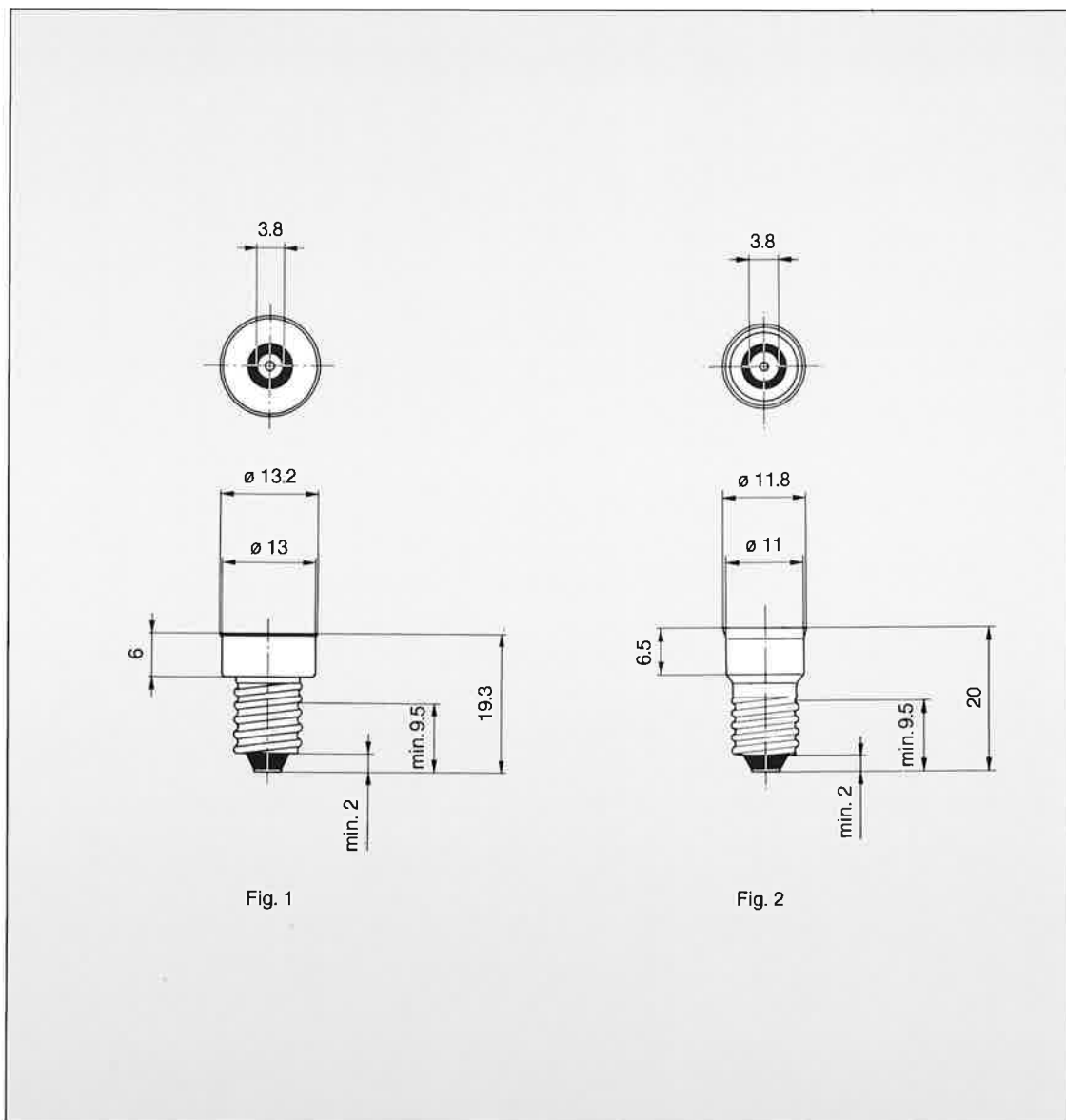
Designation	Material	Code	Remarks
BY22d/38x45	tombac	3222 058 49...	plastic insulator



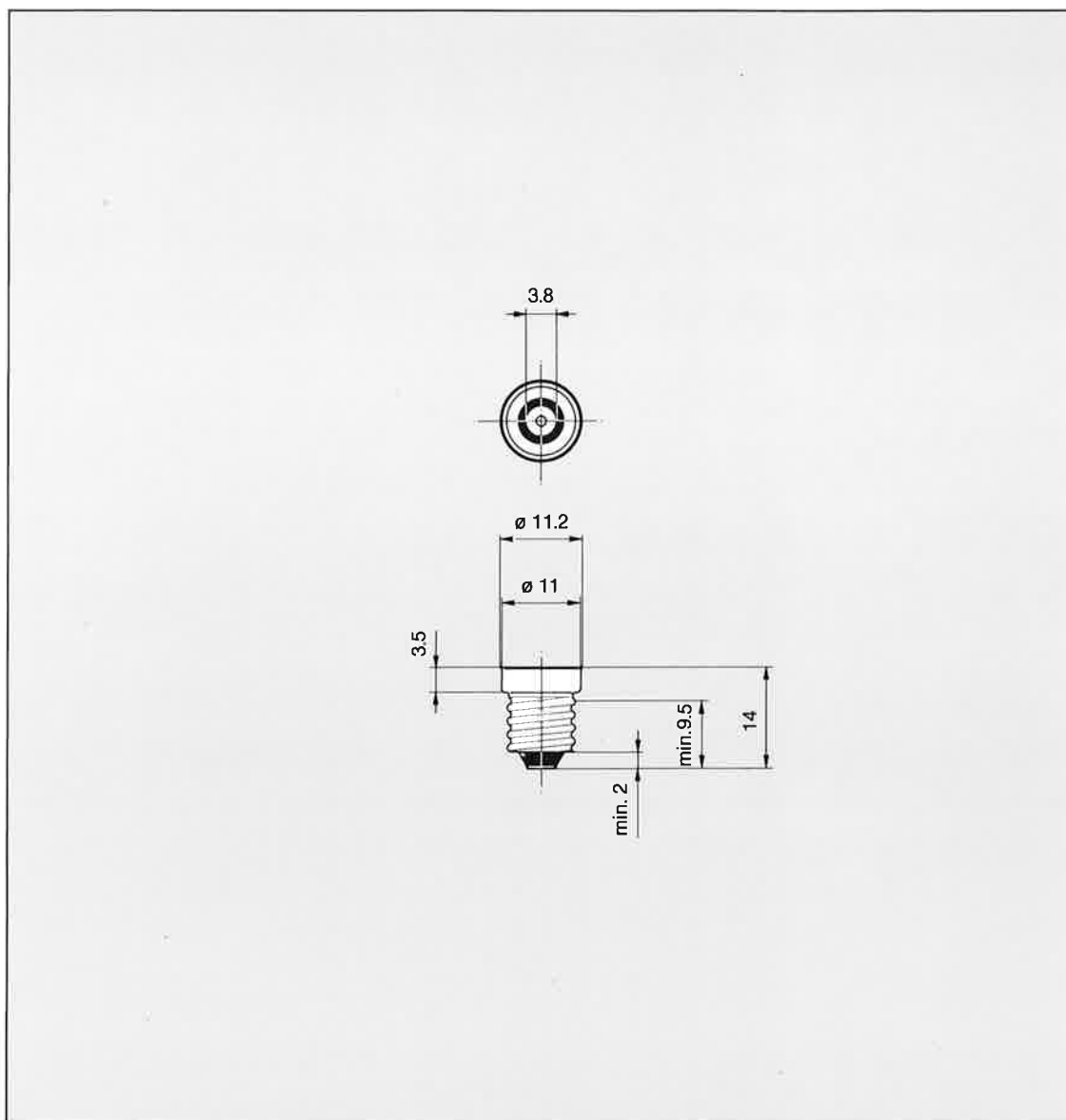
Designation	Material	Code
E5/9	brass	3222 056 23 ...



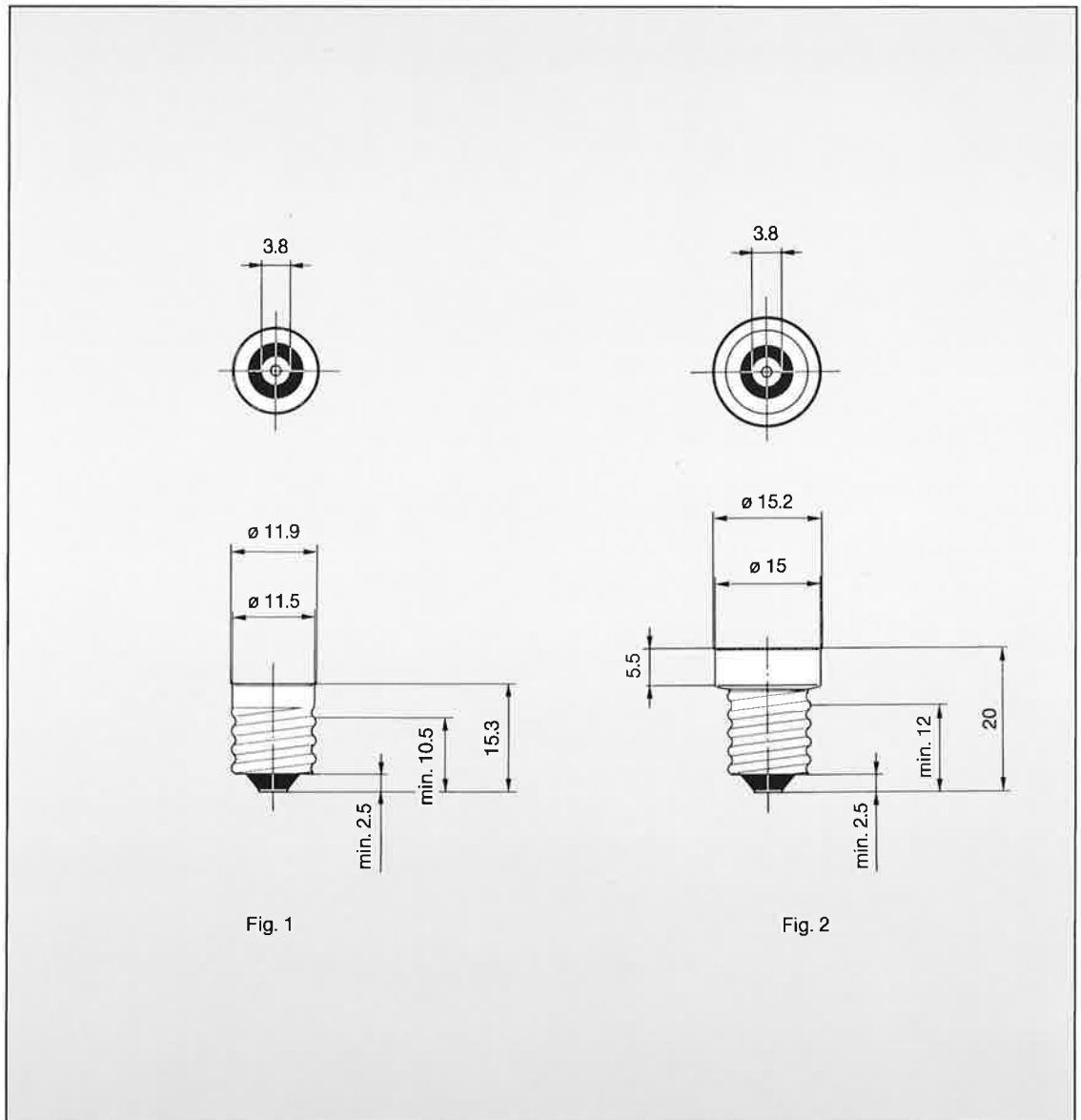
Designation	Material	Fig.	Code	a	b	Remarks
E10/12	brass	1	3222 055 08 ...	12.4	min. 8.5	
E10/13	brass	1	3222 055 00 ...	13.5	min. 9.5	
E10/13.	brass	1	3222 055 12 ...	13.5	min. 9.5	without flare
EX10/13	brass	2	3222 055 05 ...	13.5	min. 9.5	
E10/14	brass	1	3222 055 10 ...	14.4	min. 9.5	without flare, crease above screw thread
E10/15	brass	1	3222 055 09 ...	15	min. 9.5	



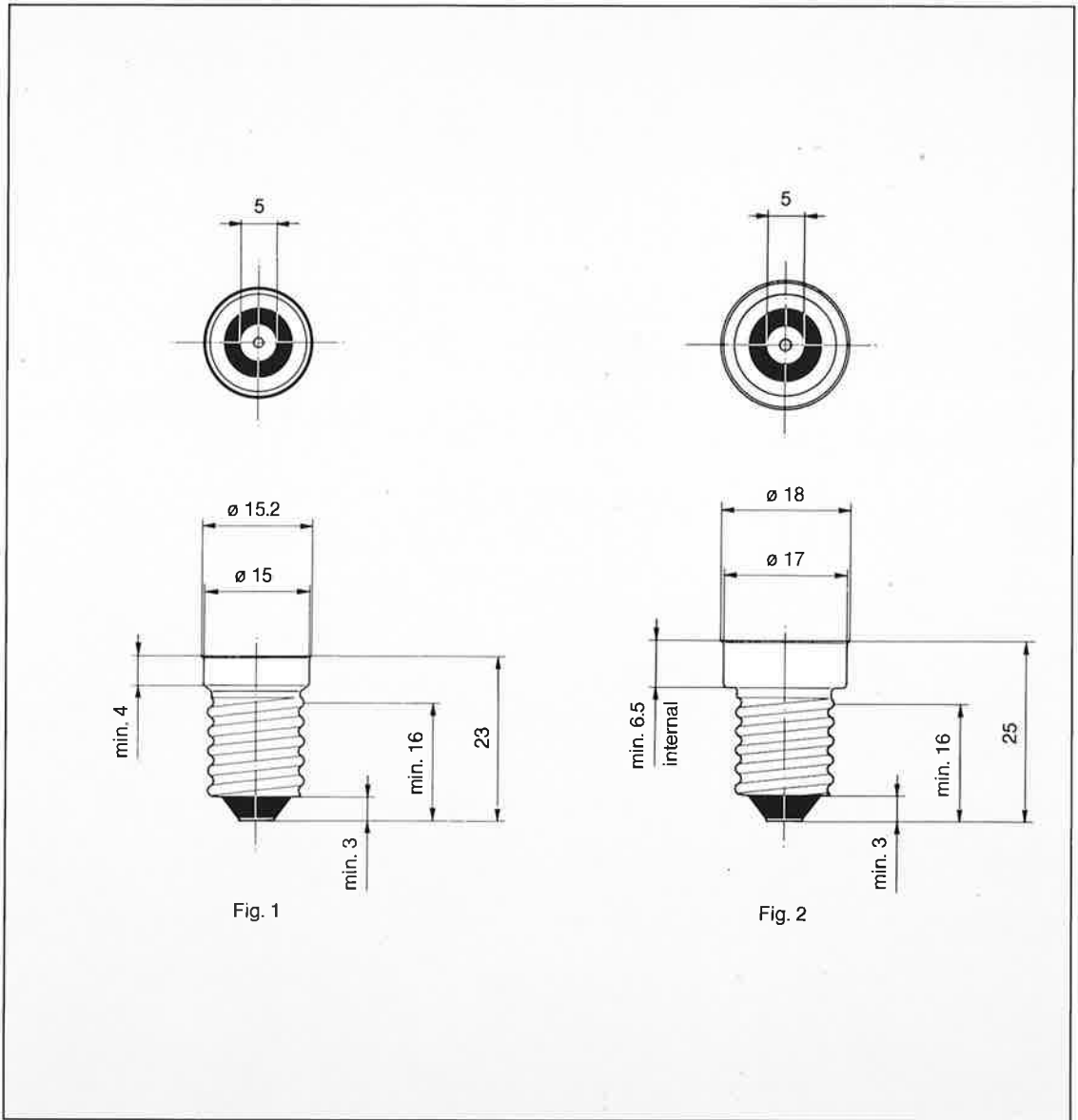
Designation	Material	Fig.	Code
E10/19x13	brass	1	3222 055 01 ...
E10/20x11	brass	2	3222 055 03 ...



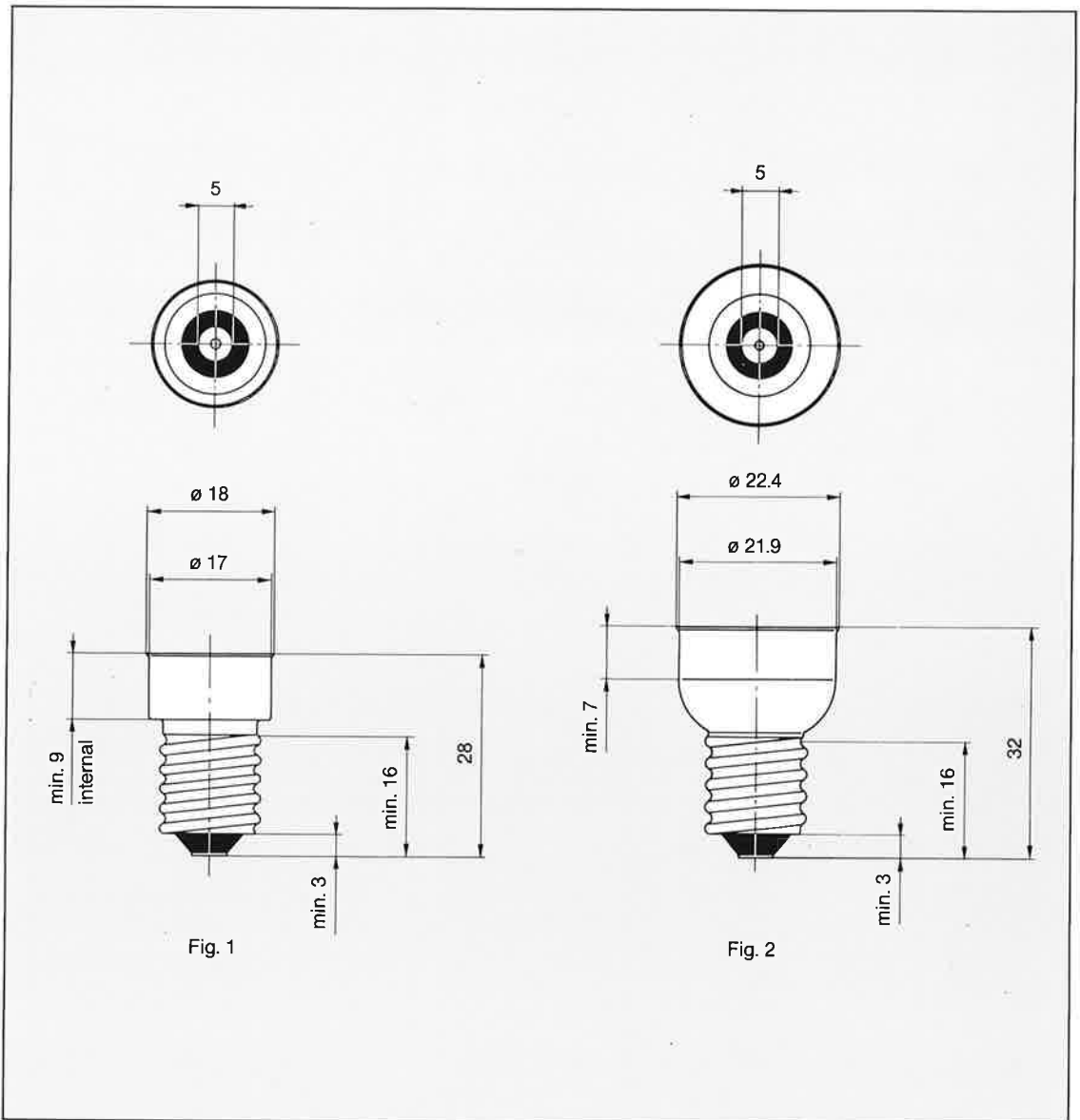
Designation	Material	Code
EP10/14x11	brass	3222 055 04 ...



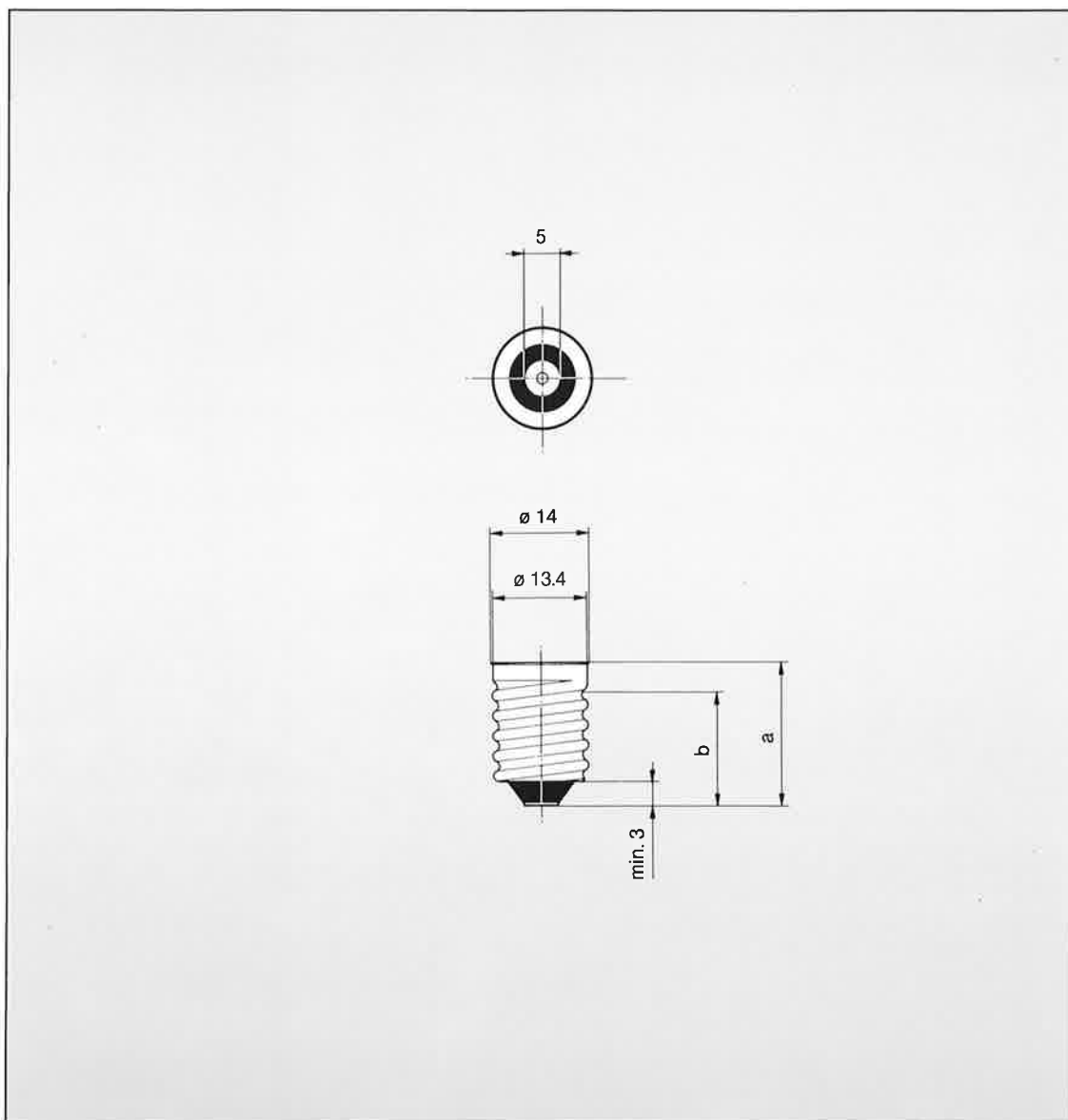
Designation	Material	Fig.	Code
E12/15	brass	1	3222 056 26 ...
E12/20x15	brass	2	3222 056 02 ...



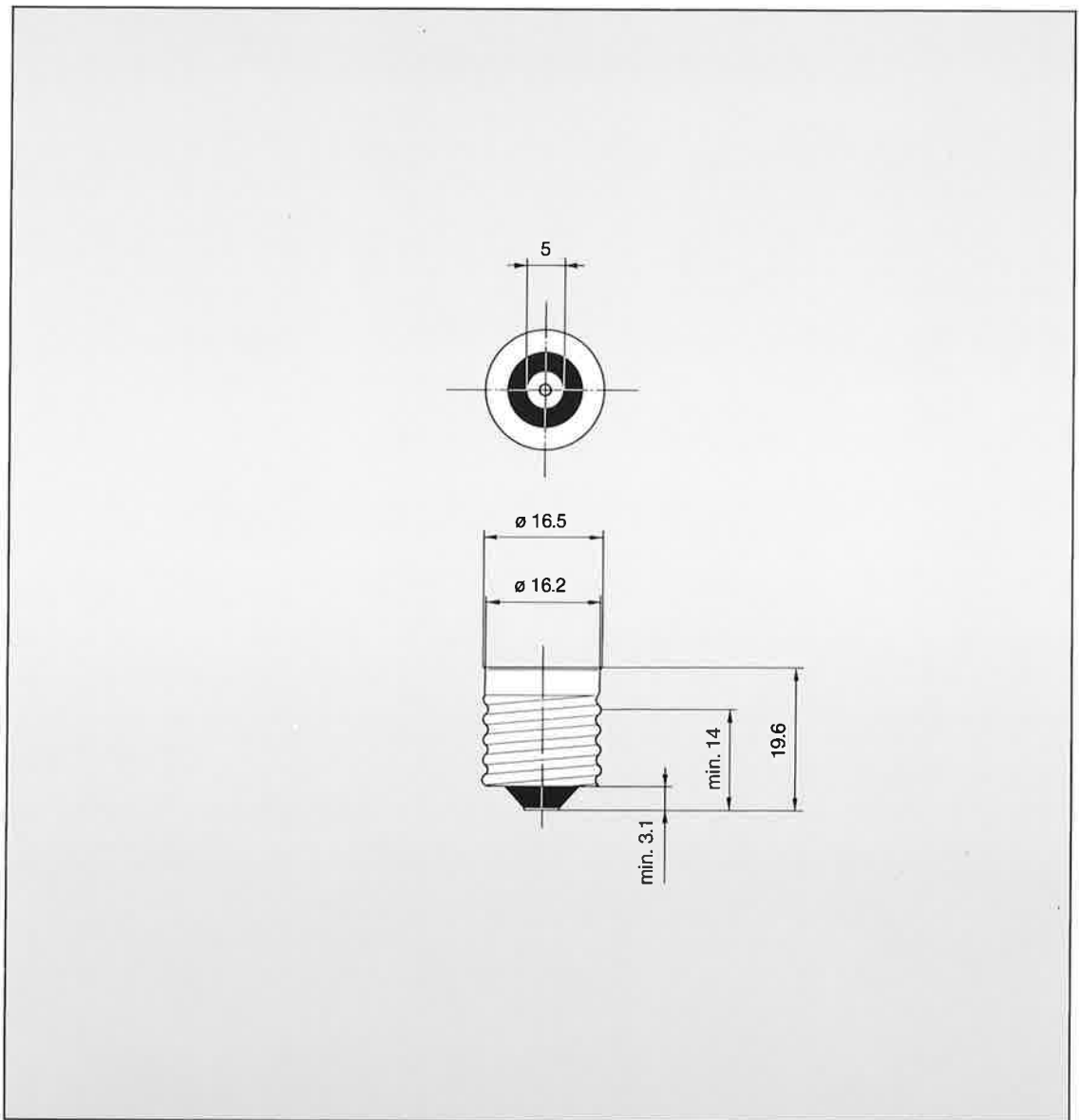
Designation	Material	Fig.	Code	Remarks
E14/23x15	brass	1	3222 054 02 ...	
E14/25x17	brass	2	3222 054 03 ...	
E14/25x17	brass	2	3222 054 07 ...	glass lined



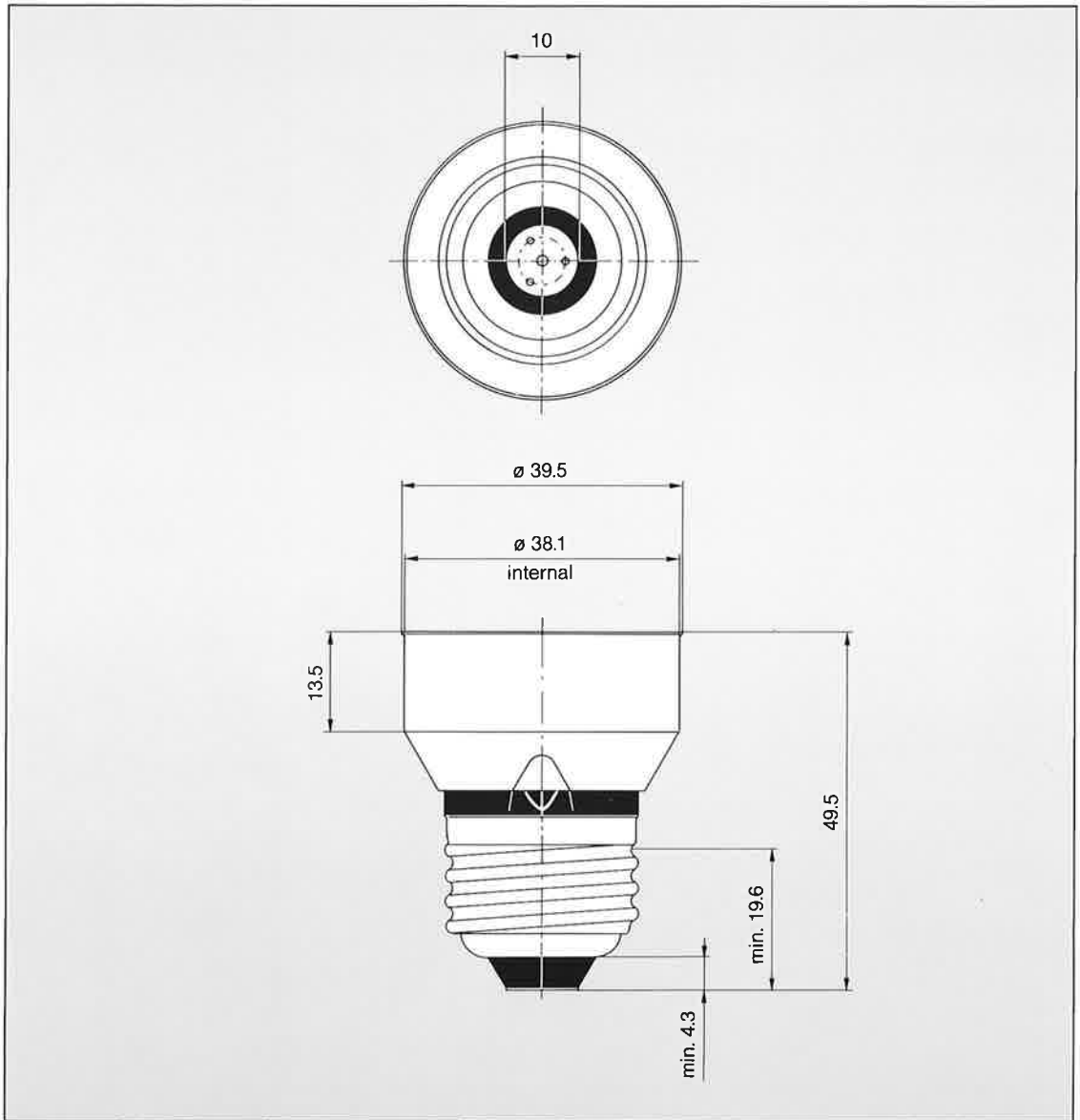
Designation	Material	Fig.	Code
E14/28x17	brass	1	3222 054 13 ...
E14/32x22	brass	2	3222 054 04 ...



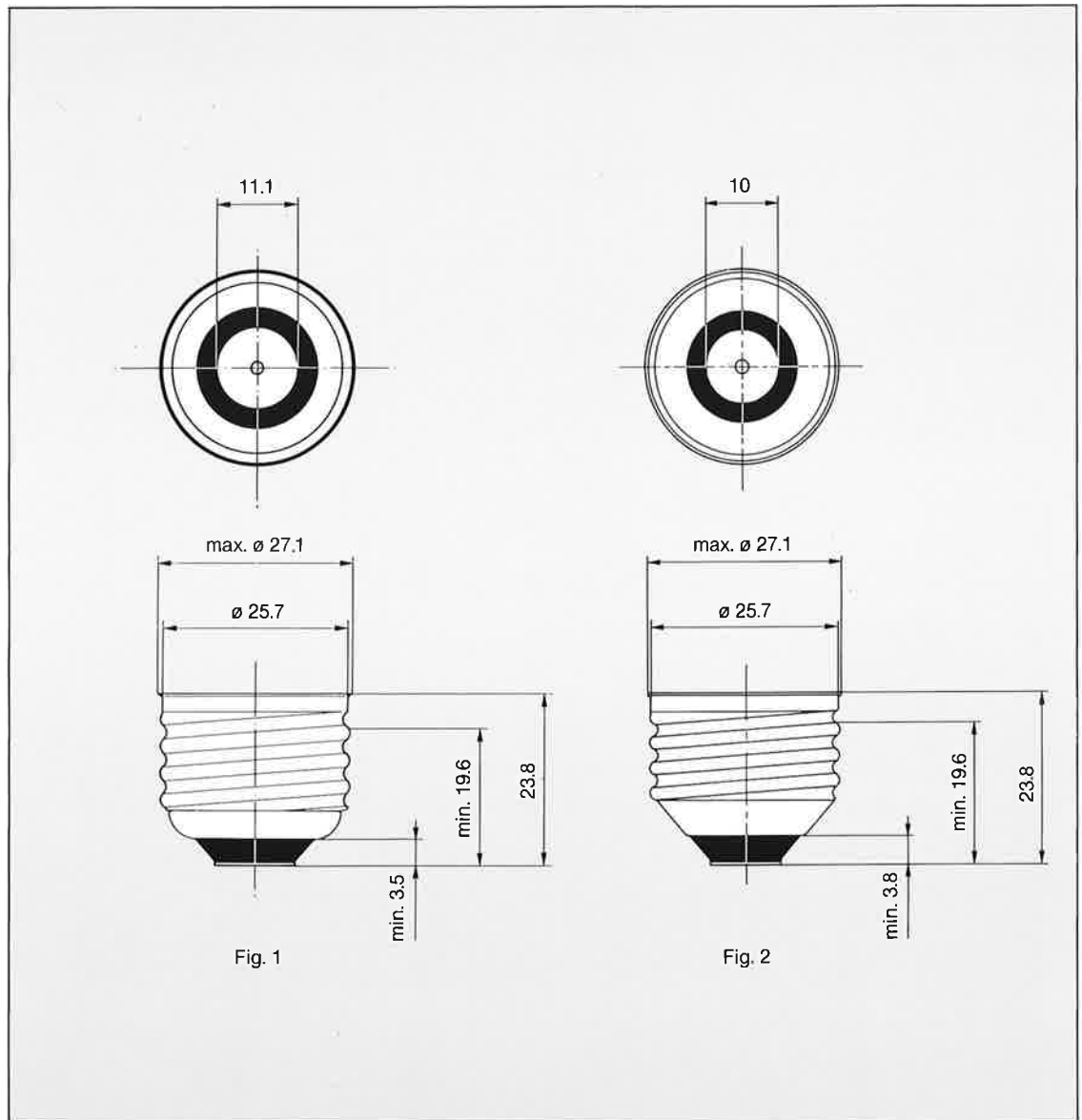
Designation	Material	Code	a	b
E14/17	brass	3222 054 01 ...	17	min. 13
E14/20	brass	3222 054 00 ...	20	min. 16
E14/22	brass	3222 054 09 ...	22	min. 16



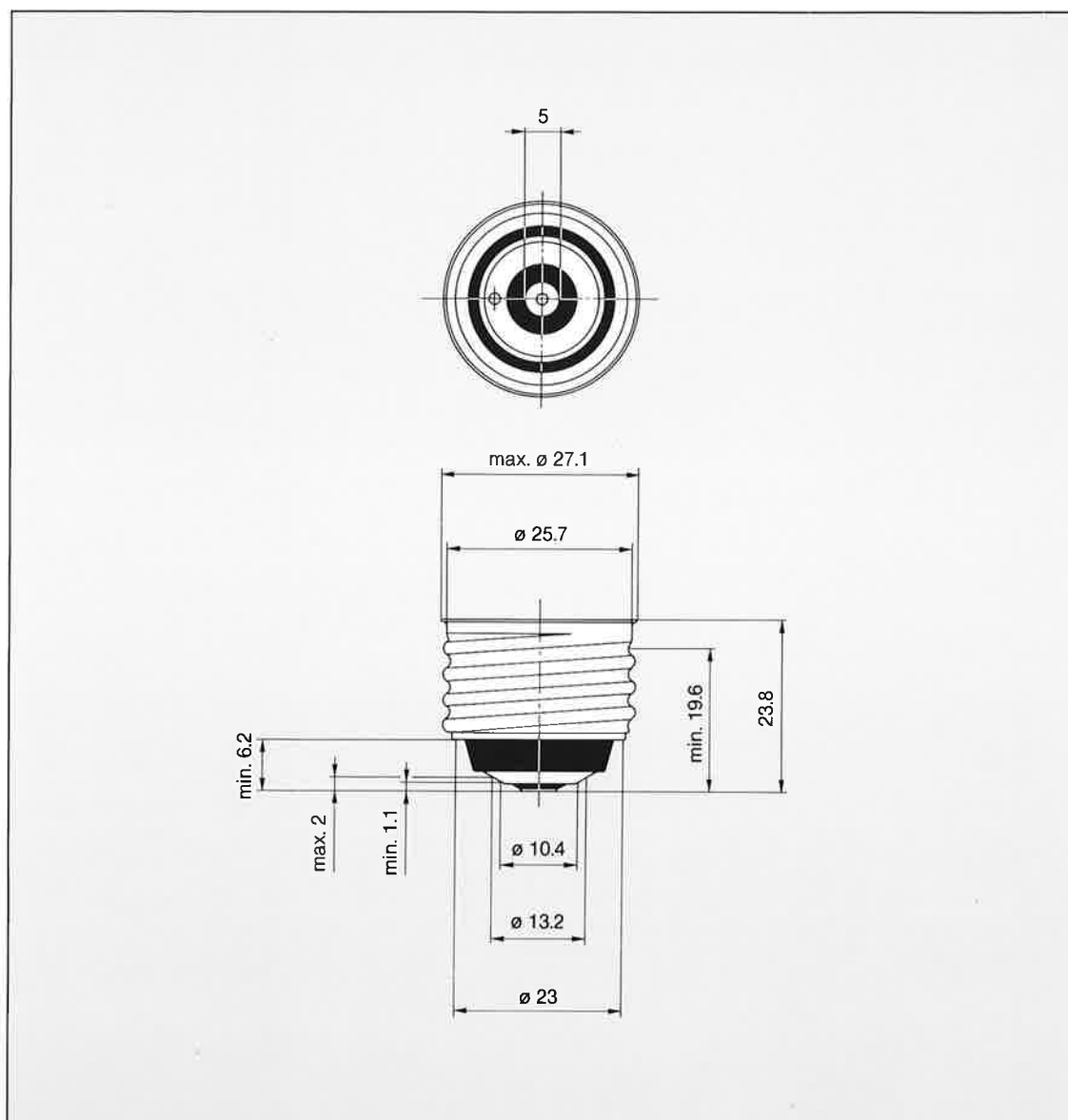
Designation	Material	Code
E17/20	brass	3222 056 03 ...



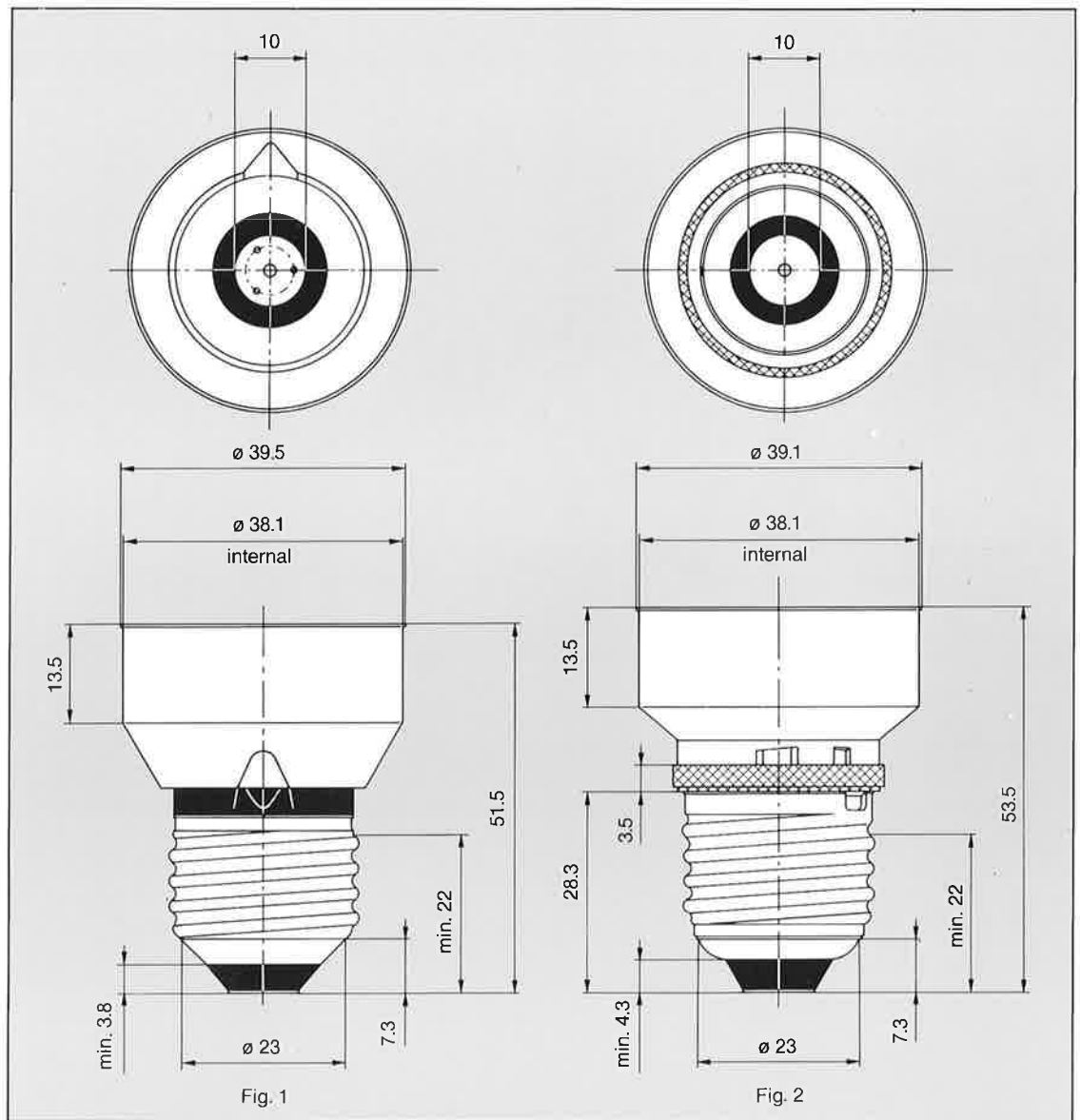
Designation	Material	Code
E26 / 50x39	brass	3222 056 41 ...



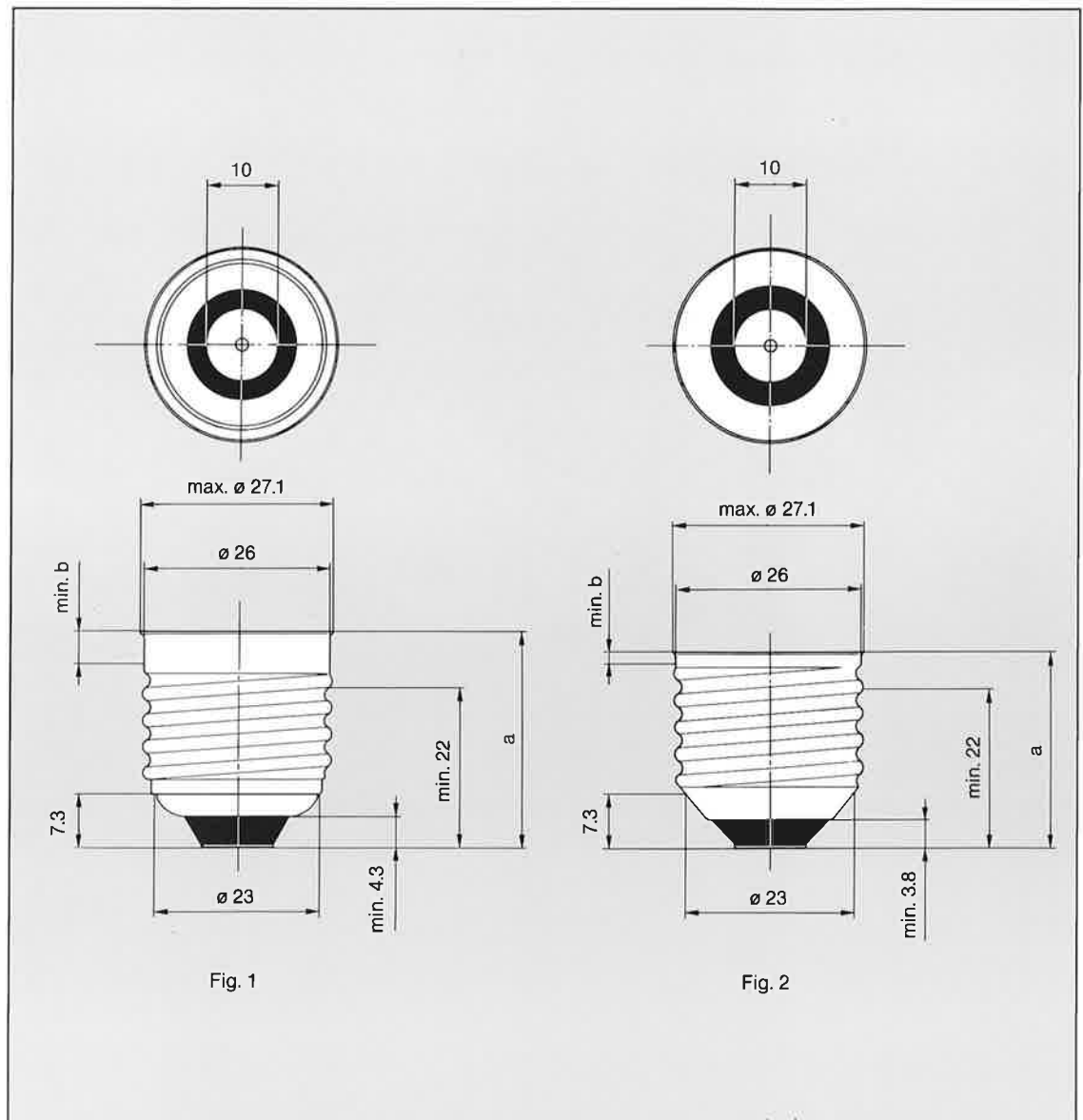
Designation	Material	Fig.	Code
E26 / 24	brass	1	3222 056 06 ...
E26 / 24	aluminium	2	3222 056 42 ...



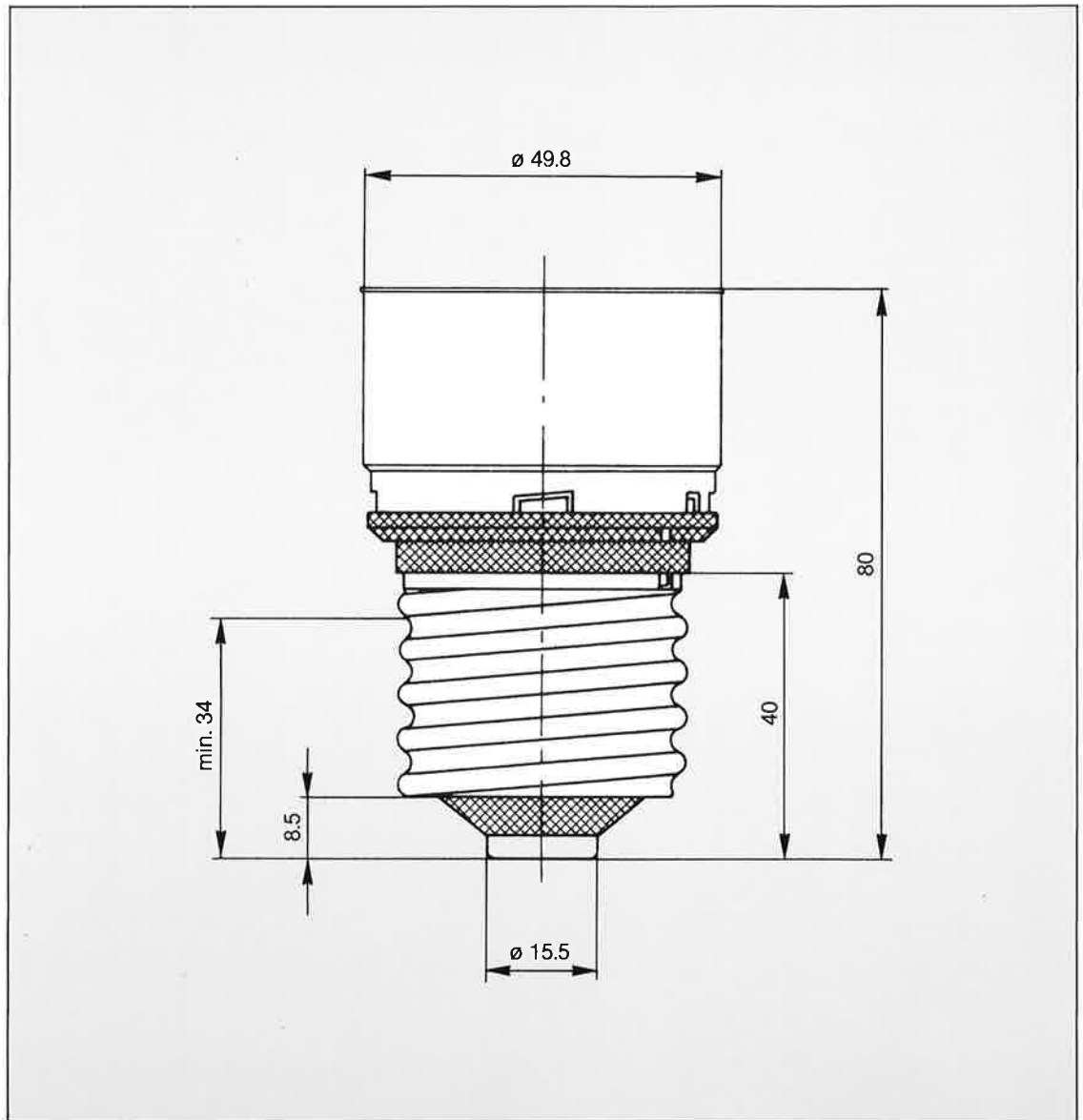
Designation	Material	Code
E26d/24	brass	3222 056 07 ...



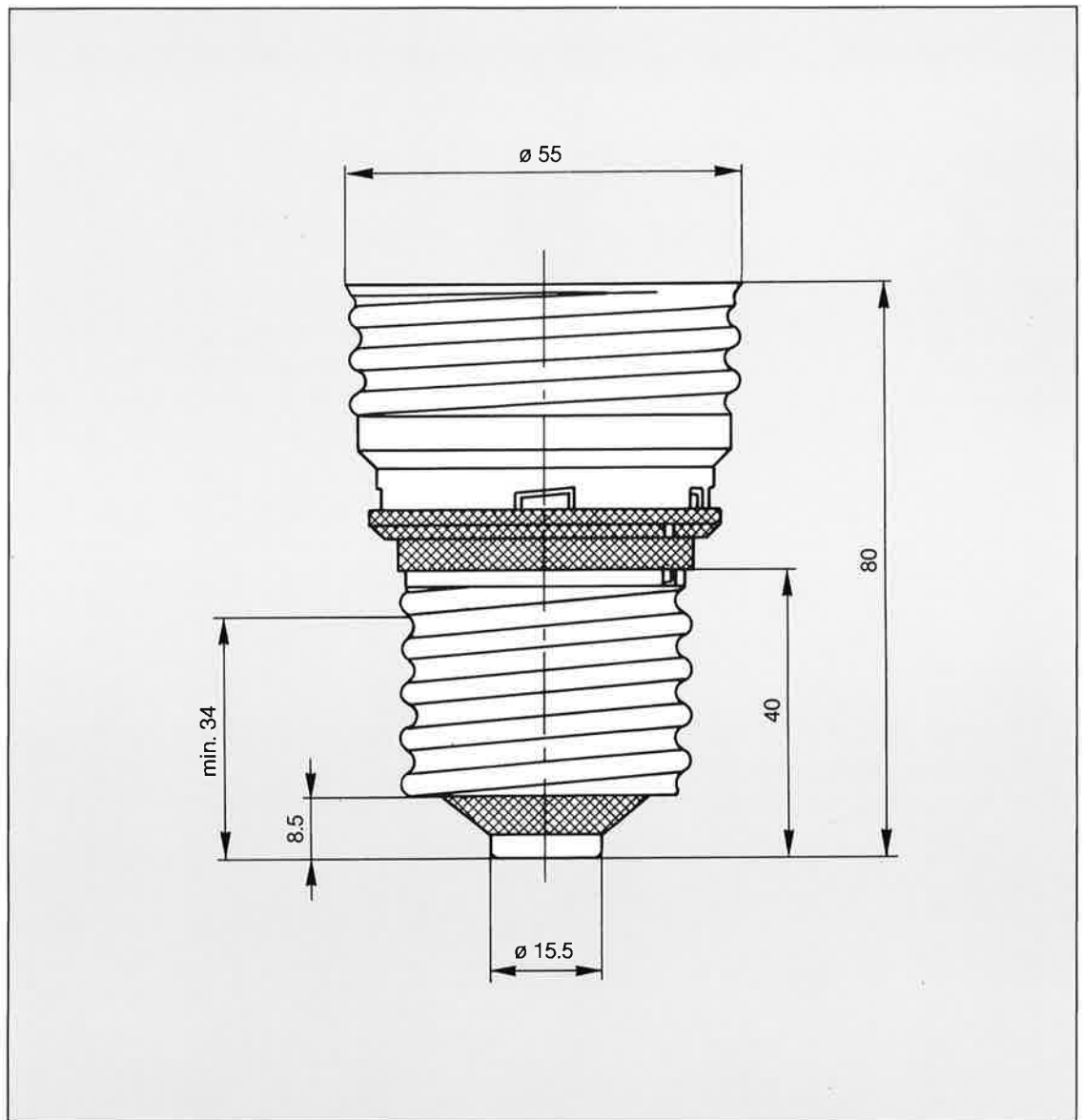
Designation	Material	Fig.	Code
E27 / 51x39	brass	1	3222 052 15 ...
E27 / 53x39	brass	2	3222 052 16 ...



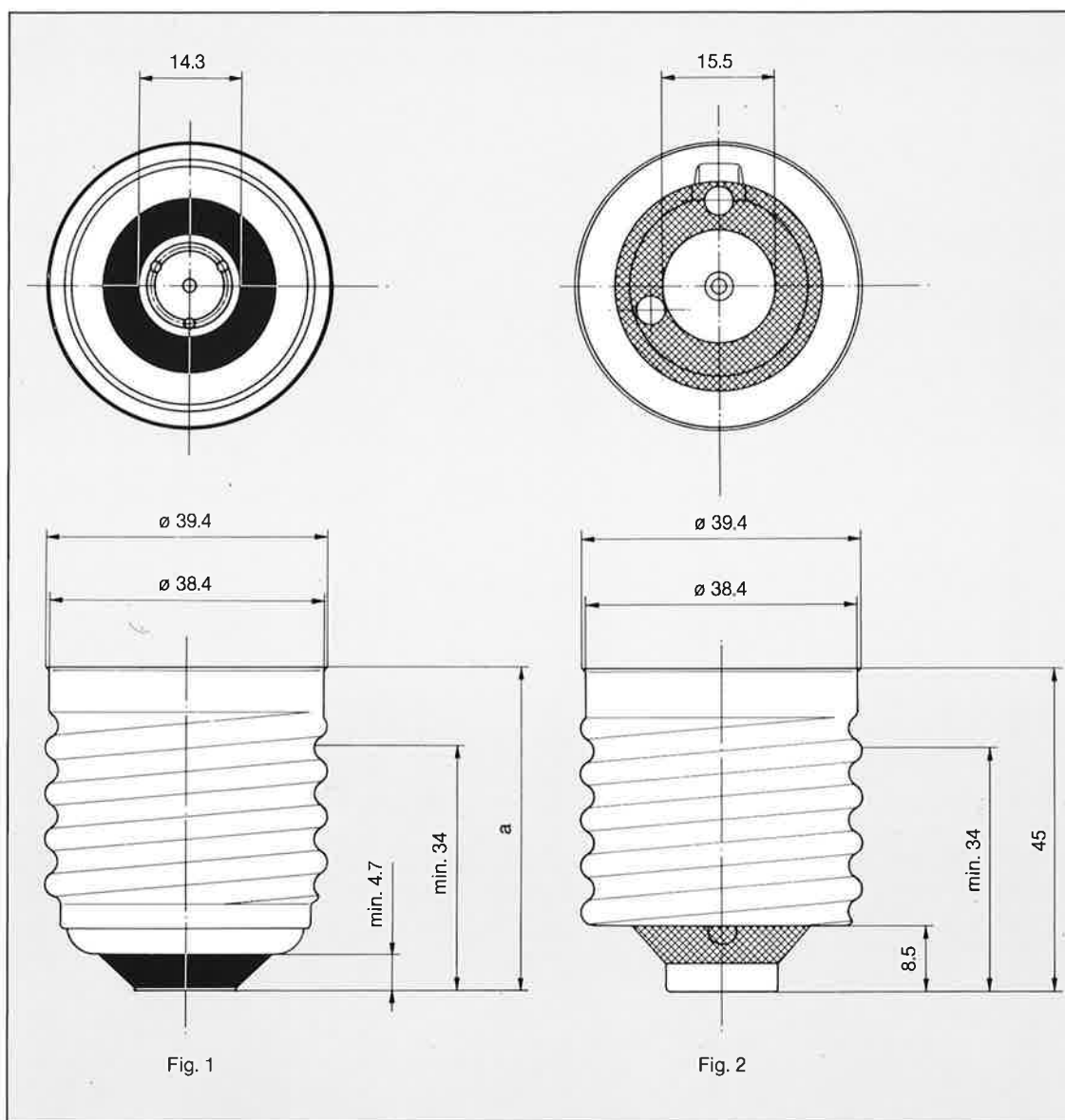
Designation	Material	Fig.	Code	a	b	Remarks
E27/25	brass	1	3222 052 00 ...	25.5	1.5	
E27/25	brass	1	3222 052 31 ...	25.5	1.5	ceramic insulator
E27/27	brass	1	3222 052 09 ...	27	1.5	
E27/27	tombac	1	3222 052 59 ...	27	1.5	
E27/27	aluminium	2	3222 052 42 ...	27	1.5	
E27/30	brass	1	3222 052 08 ...	30	4.5	
E27/30	tombac	1	3222 052 29 ...	30	4.5	
E27/30	tombac	1	3222 052 33 ...	30	4.5	ceramic insulator



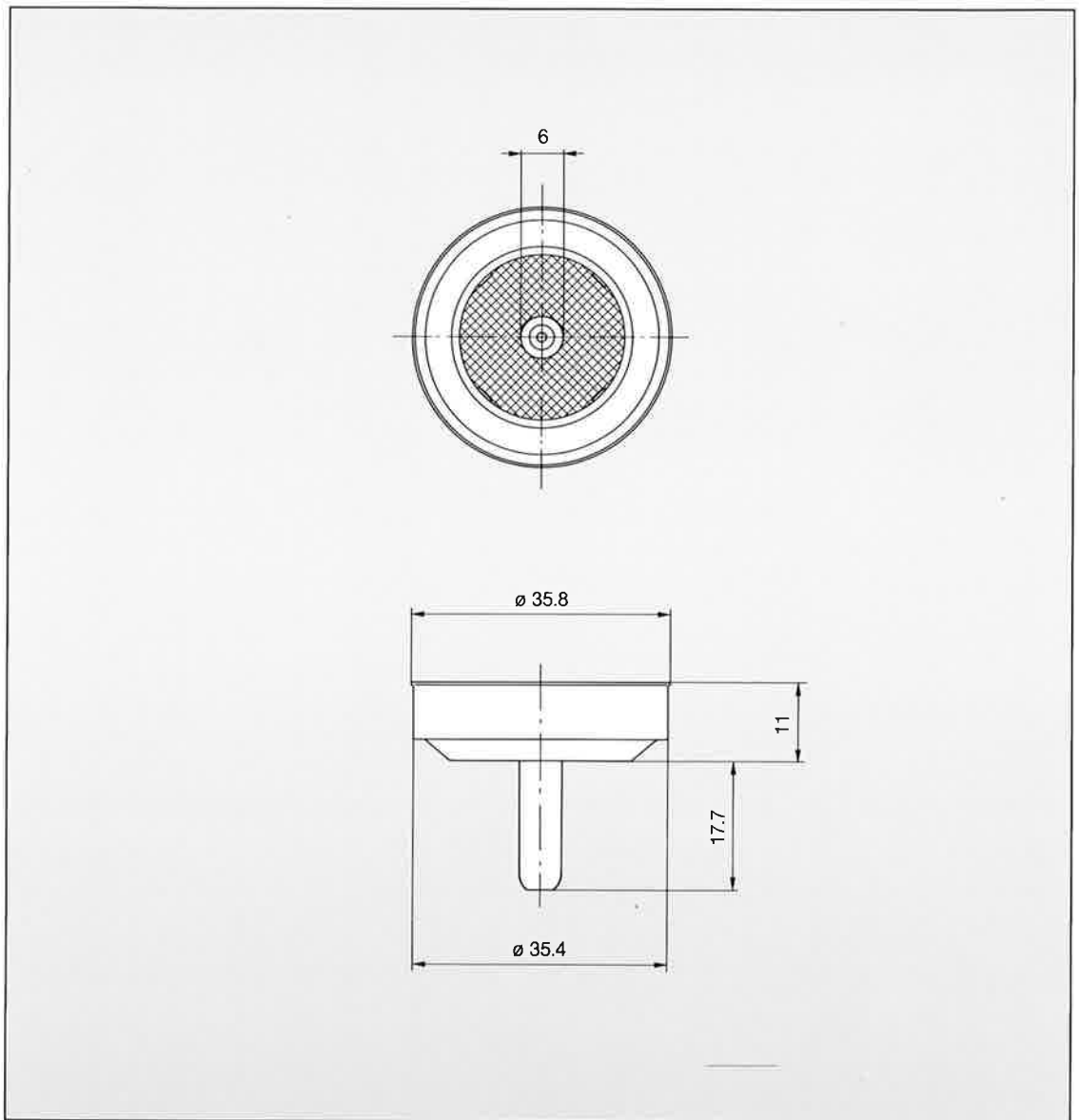
Designation	Material	Code	Remarks
E40/80x50	tombac	3222 050 31 ...	ceramic insulator



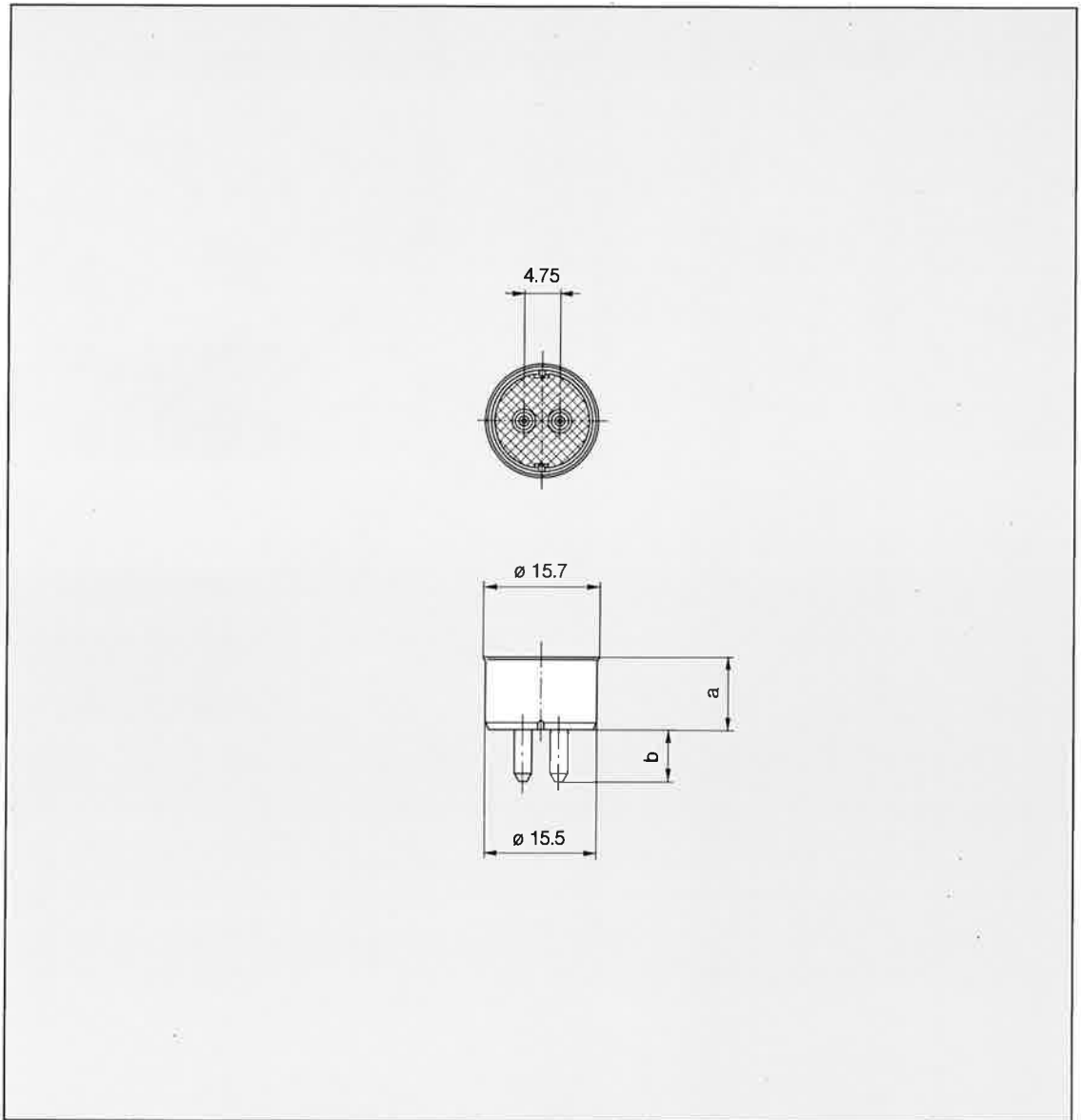
Designation	Material	Code	Remarks
E40/80x50	tombac	3222 050 35	ceramic insulator



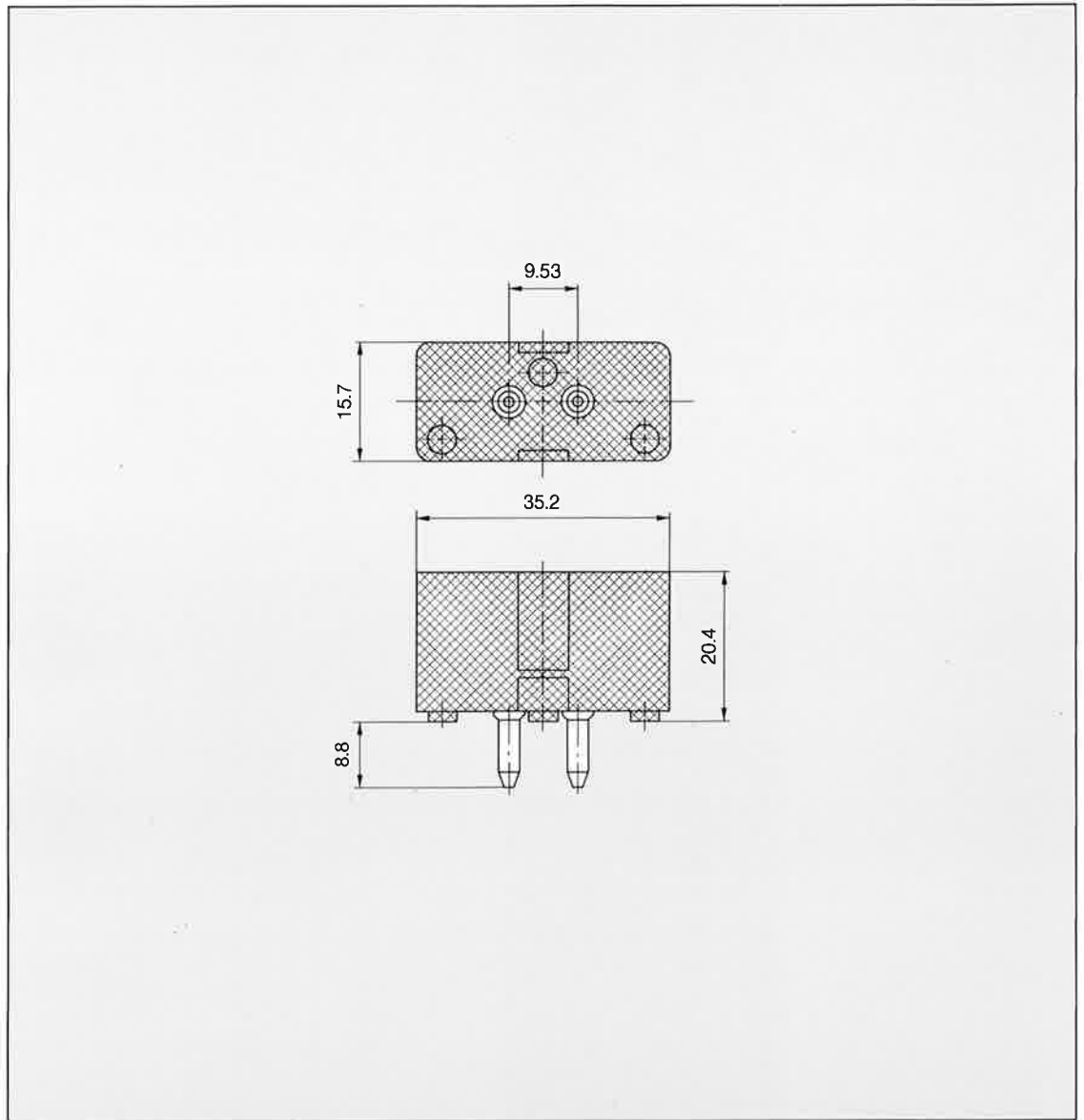
Designation	Material	Fig.	Code	a	Remarks
E40/41	brass	1	3222 050 23 ...	41	
E40/41	tombac	1	3222 050 05 ...	41	
E40/45	brass	1	3222 050 17 ...	45	
E40/45	tombac	1	3222 050 00 ...	45	
E40/45	tombac	1	3222 050 04 ...	45	all threaded
E40/45	tombac	1	3222 050 36 ...	45	
E40/45	tombac	2	3222 050 01 ...		ceramic insulator
E40/45	brass	2	3222 050 20 ...		ceramic insulator
E40/45	tombac	2	3222 050 34 ...		all threaded, ceramic insulator



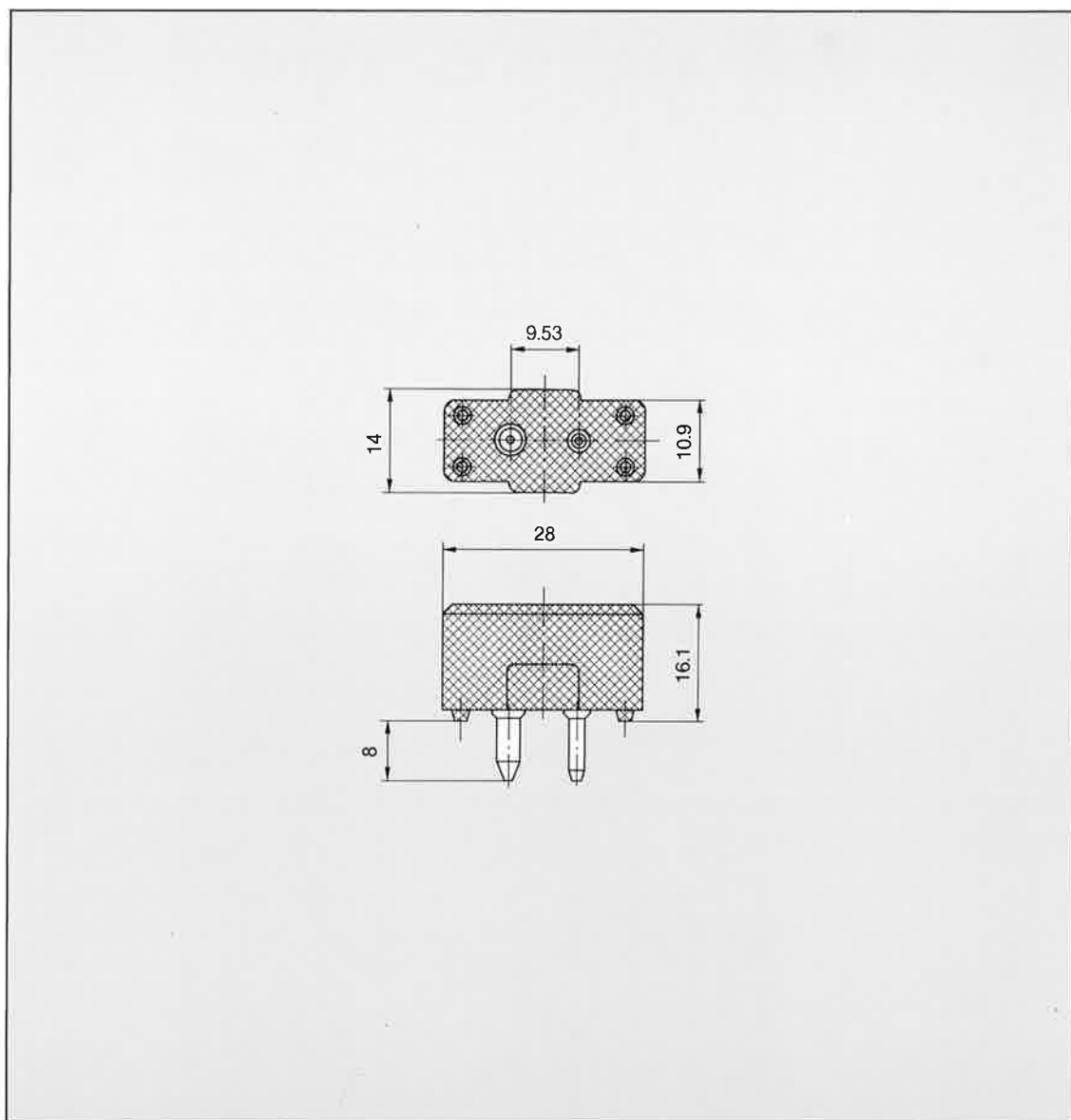
Designation	Material	Code
Fa6/11x35	aluminium	3222 081 01 ...



Designation	Material	Code	a	b
G5/10x15	aluminium	3222 077 17	10	7.1
G5/11x15	aluminium	3222 077 65	11	7.75



Designation	Material	Code
GX9.5 / 20	ceramic	3222 076 74



Designation	Material	Code
GY9.5 / 16x28	ceramic	3222 076 93

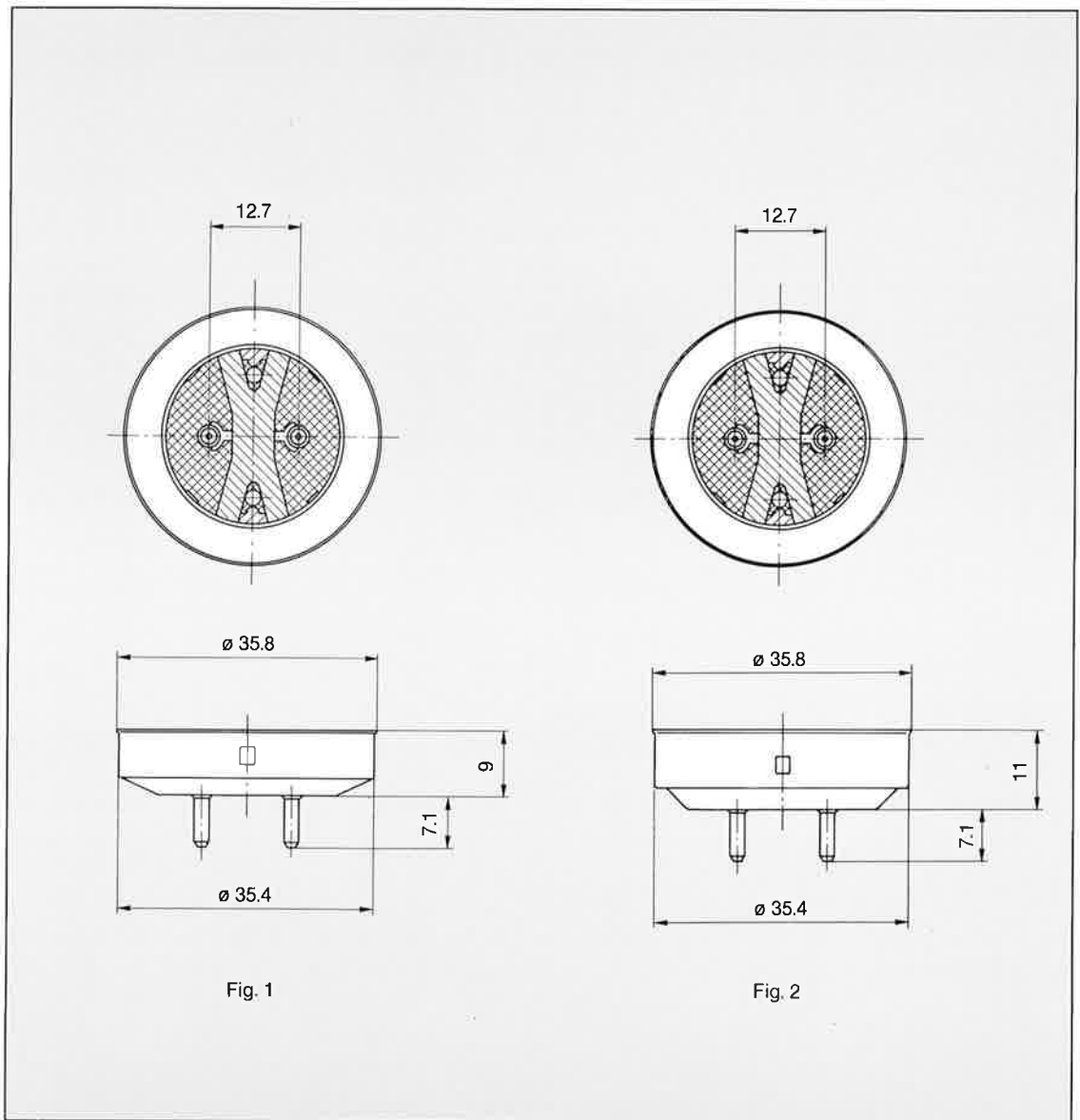
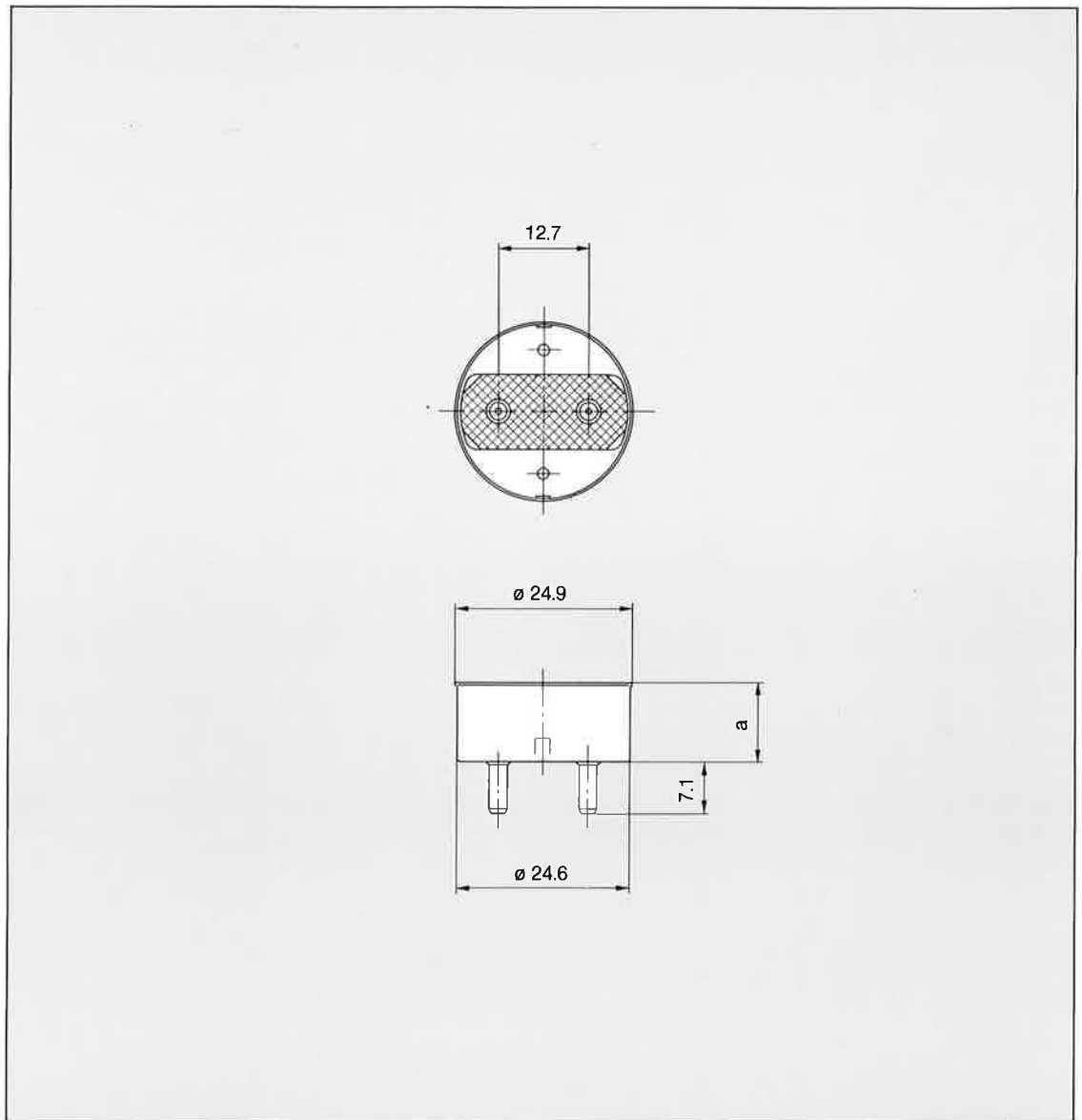


Fig. 1

Fig. 2

Designation	Material	Fig.	Code	Remarks
G13/9x35	aluminium	1	3222 077 37 ...	with resistor
G13/11x35	aluminium	2	3222 077 38 ...	with resistor



Designation	Material	Code	a
G13/11x24	aluminium	3222 077 44...	11
G13/12.5x24	aluminium	3222 077 39...	12.5

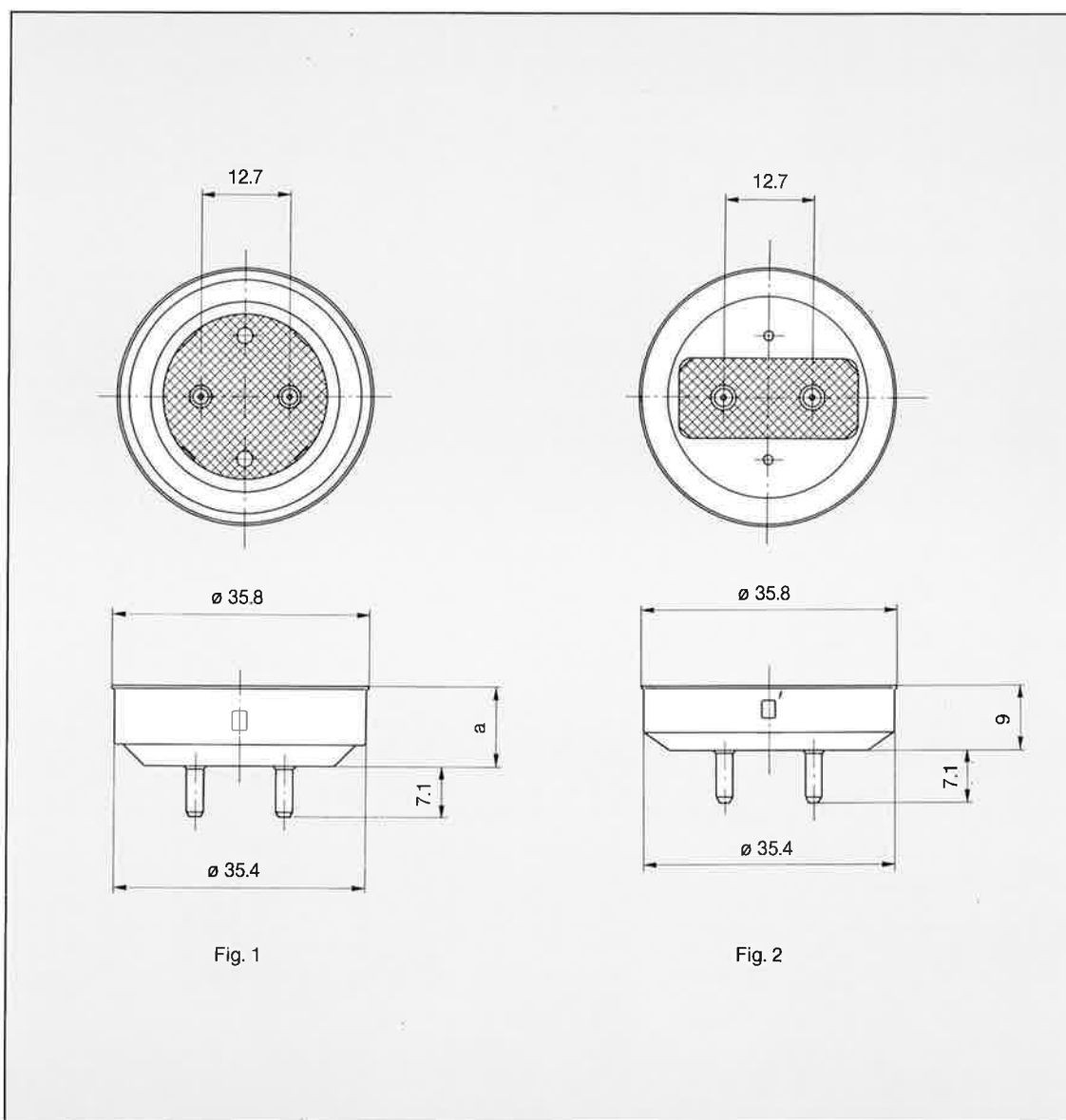
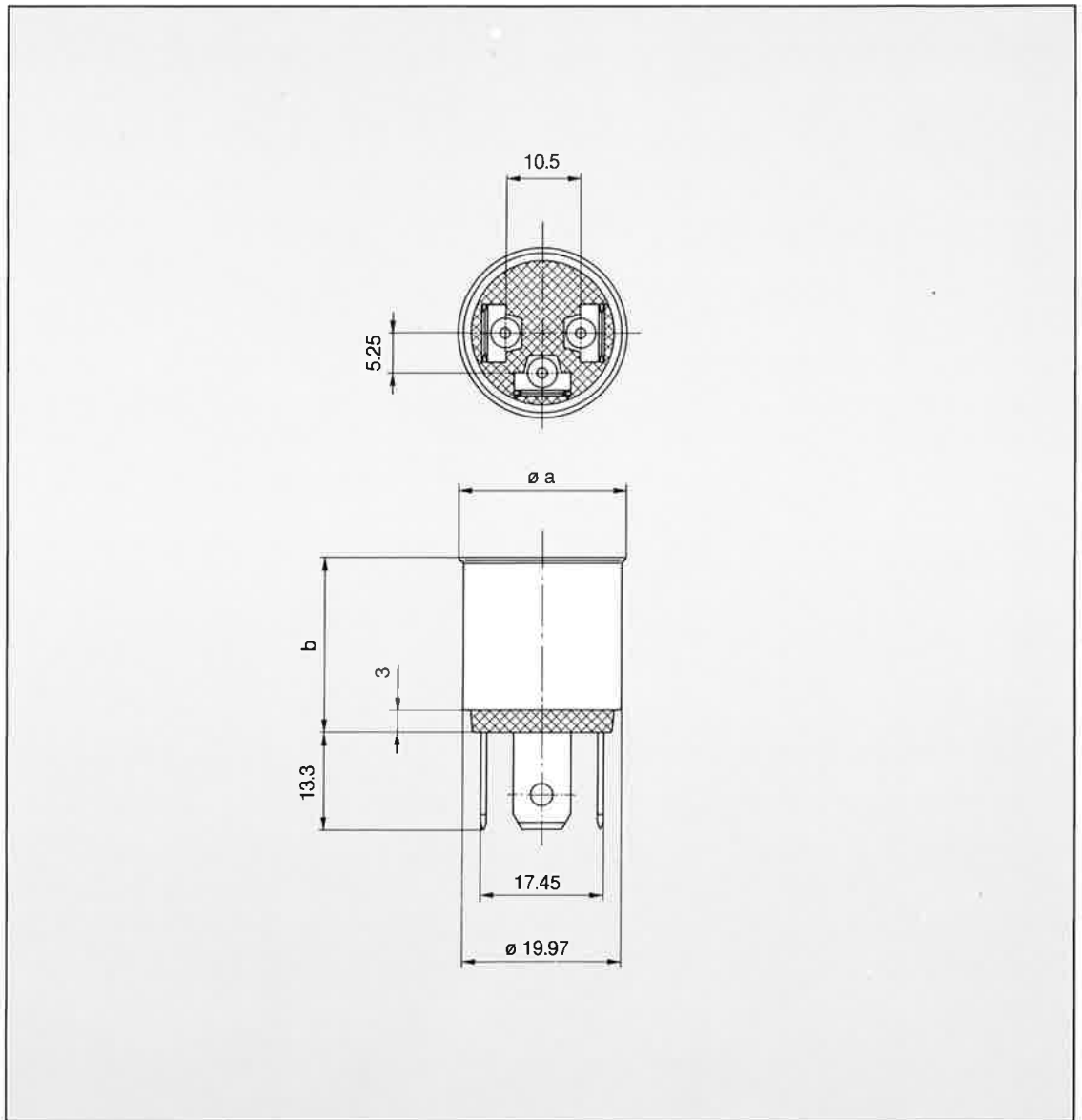


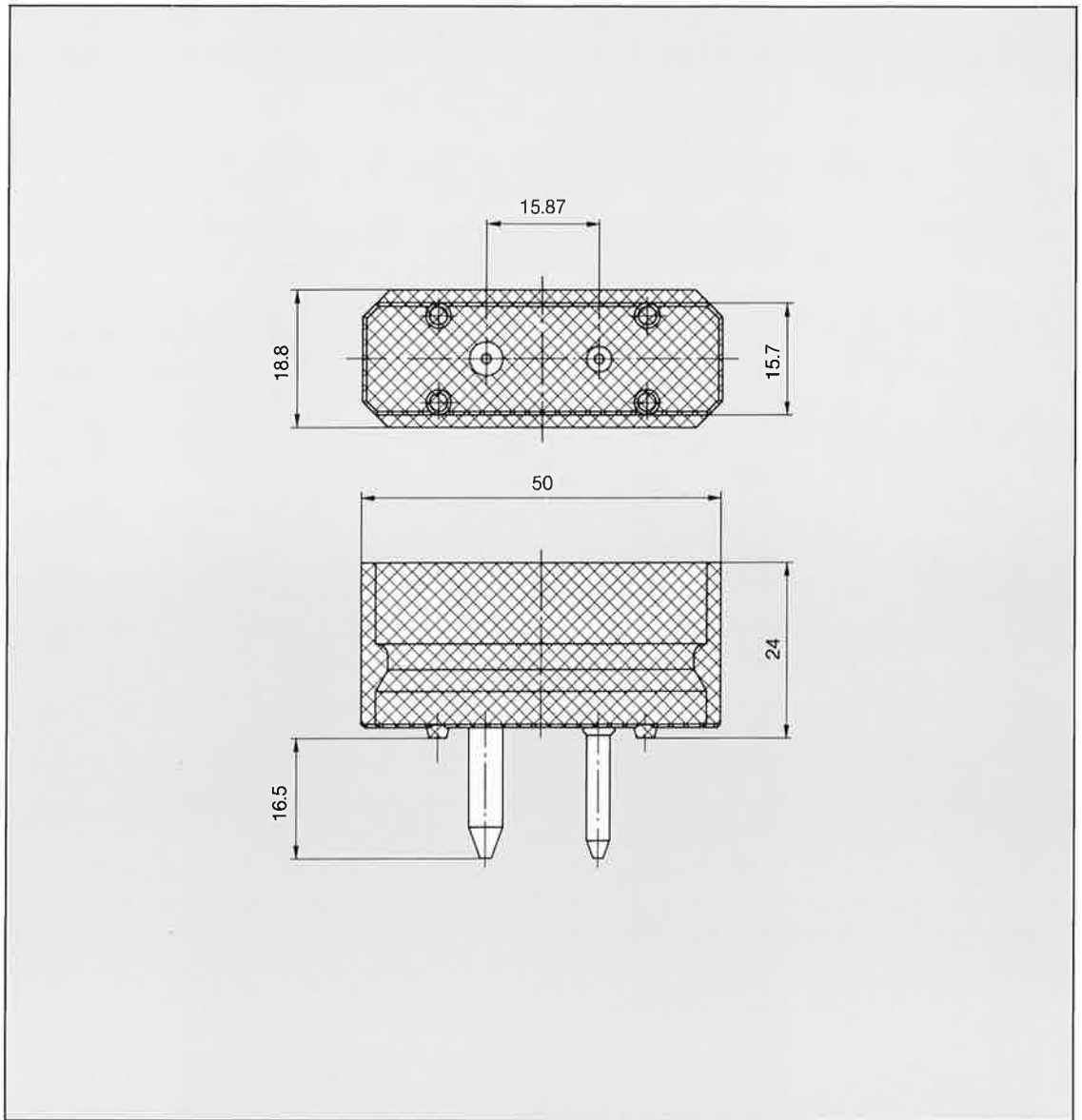
Fig. 1

Fig. 2

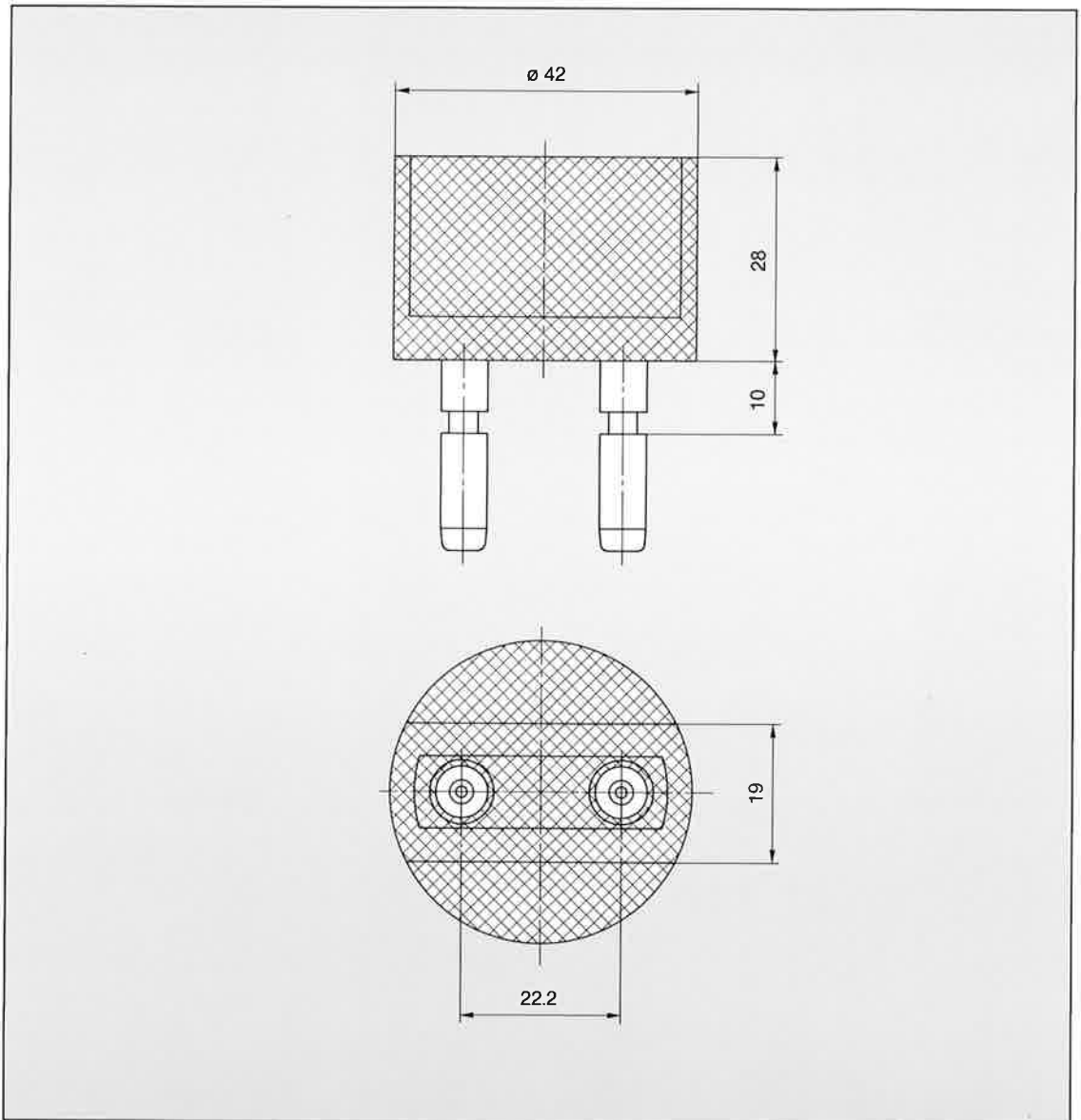
Designation	Material	Fig.	Code	a
G13/11x35	aluminium	1	3222 077 02 ...	11
G13/12x35	aluminium	1	3222 076 98 ...	12
G13/9x35	aluminium	2	3222 077 19 ...	



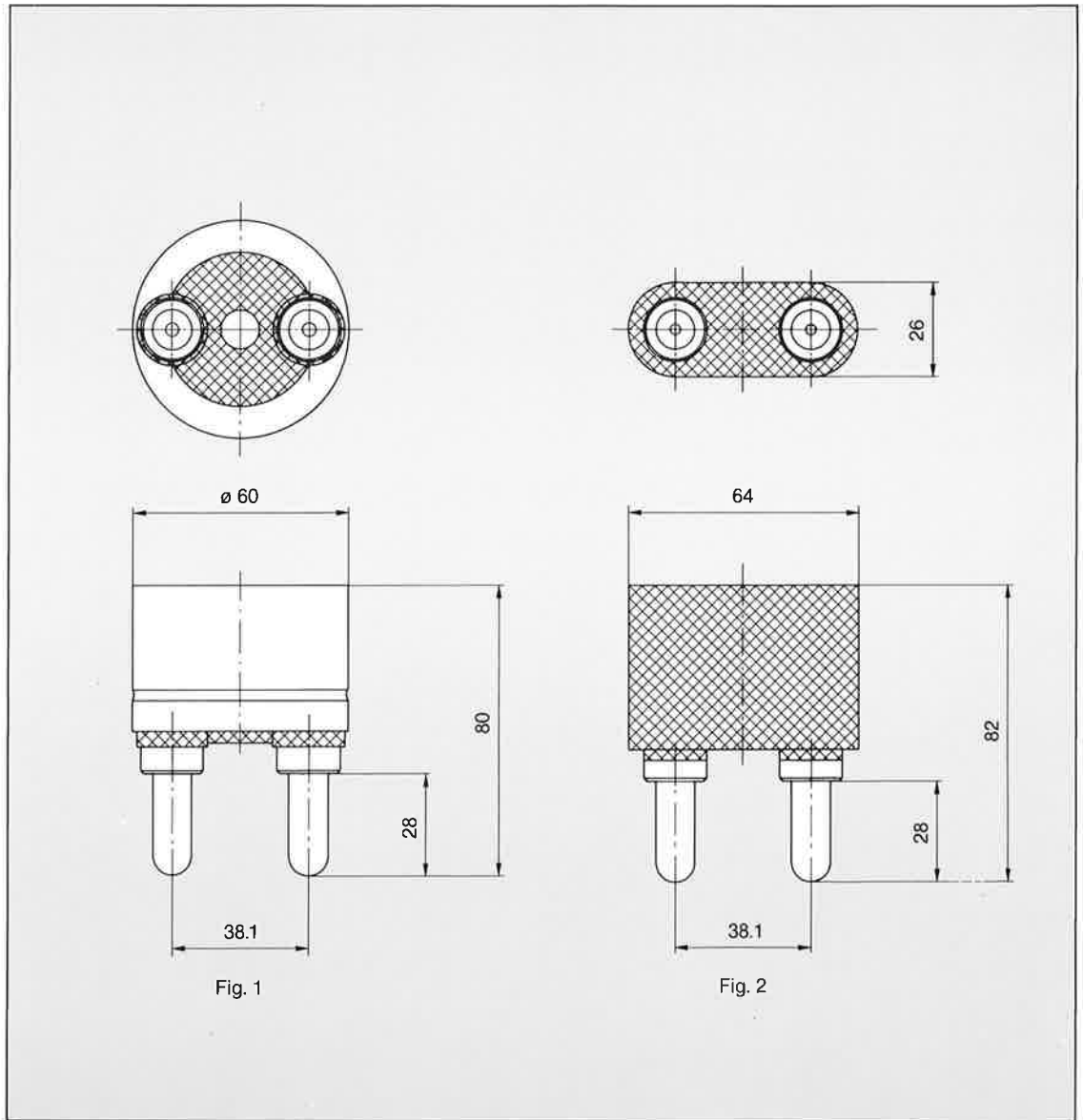
Designation	Material	Code	a	b	Remarks
G16t/23x22	brass	3222 076 20 ...	22.8	23.3	plastic insulator
G16t/25x22	German silver	3222 077 25 ...	23.85	25.3	plastic insulator



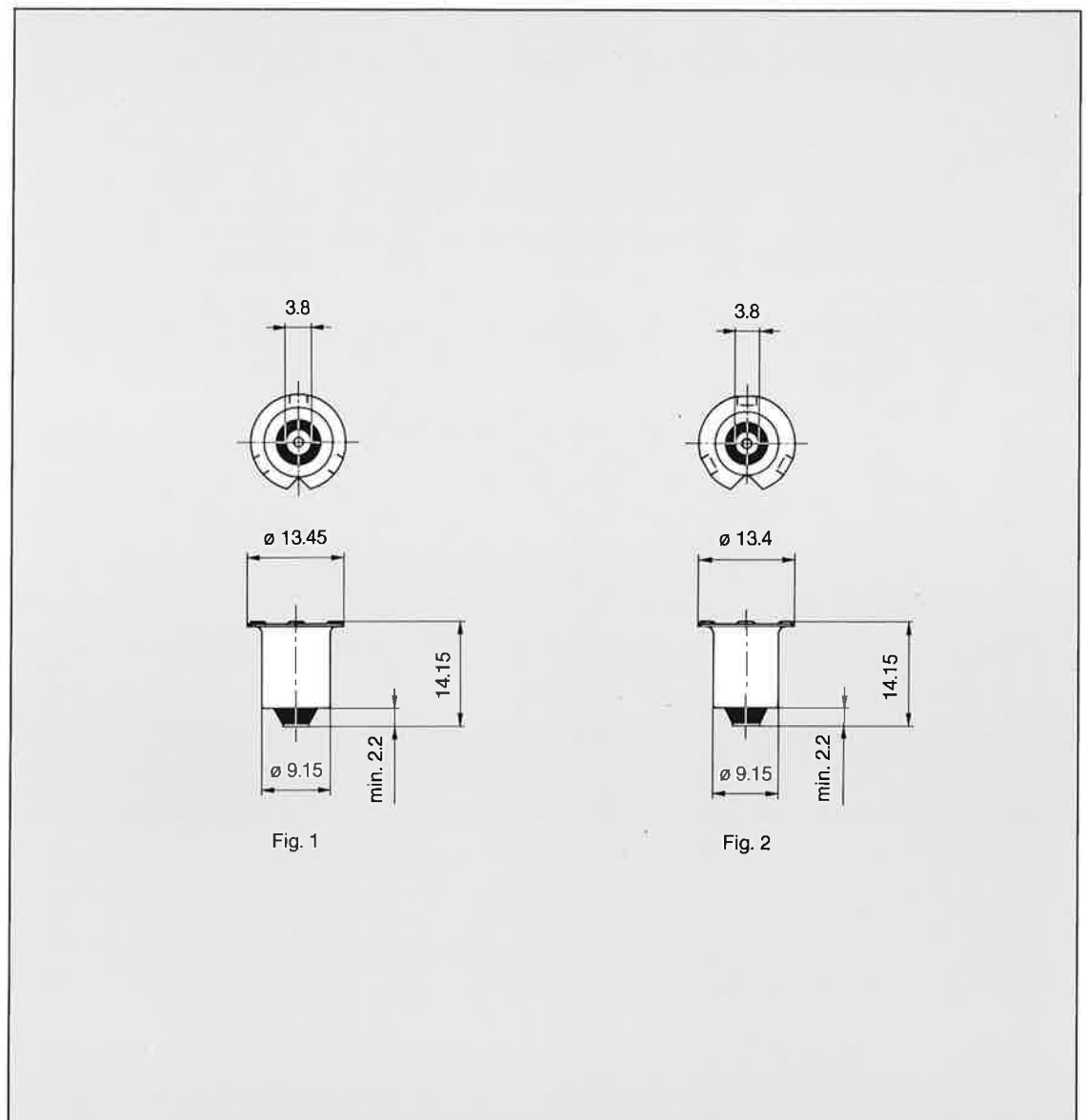
Designation	Material	Code
GY16/24x50	ceramic	3222 076 94 ...



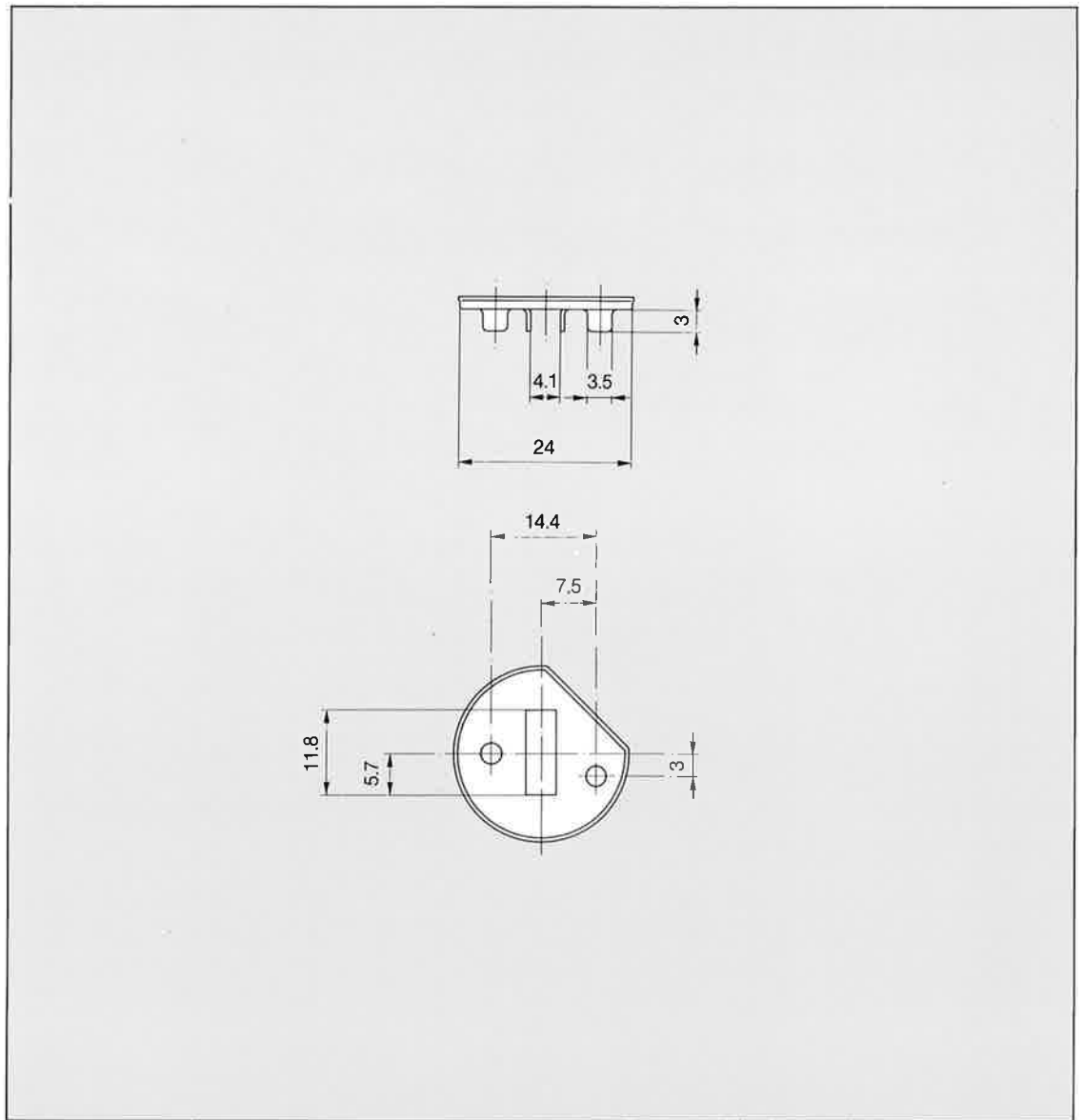
Designation	Material	Code
G22/28x42	ceramic	3222 077 50 ...



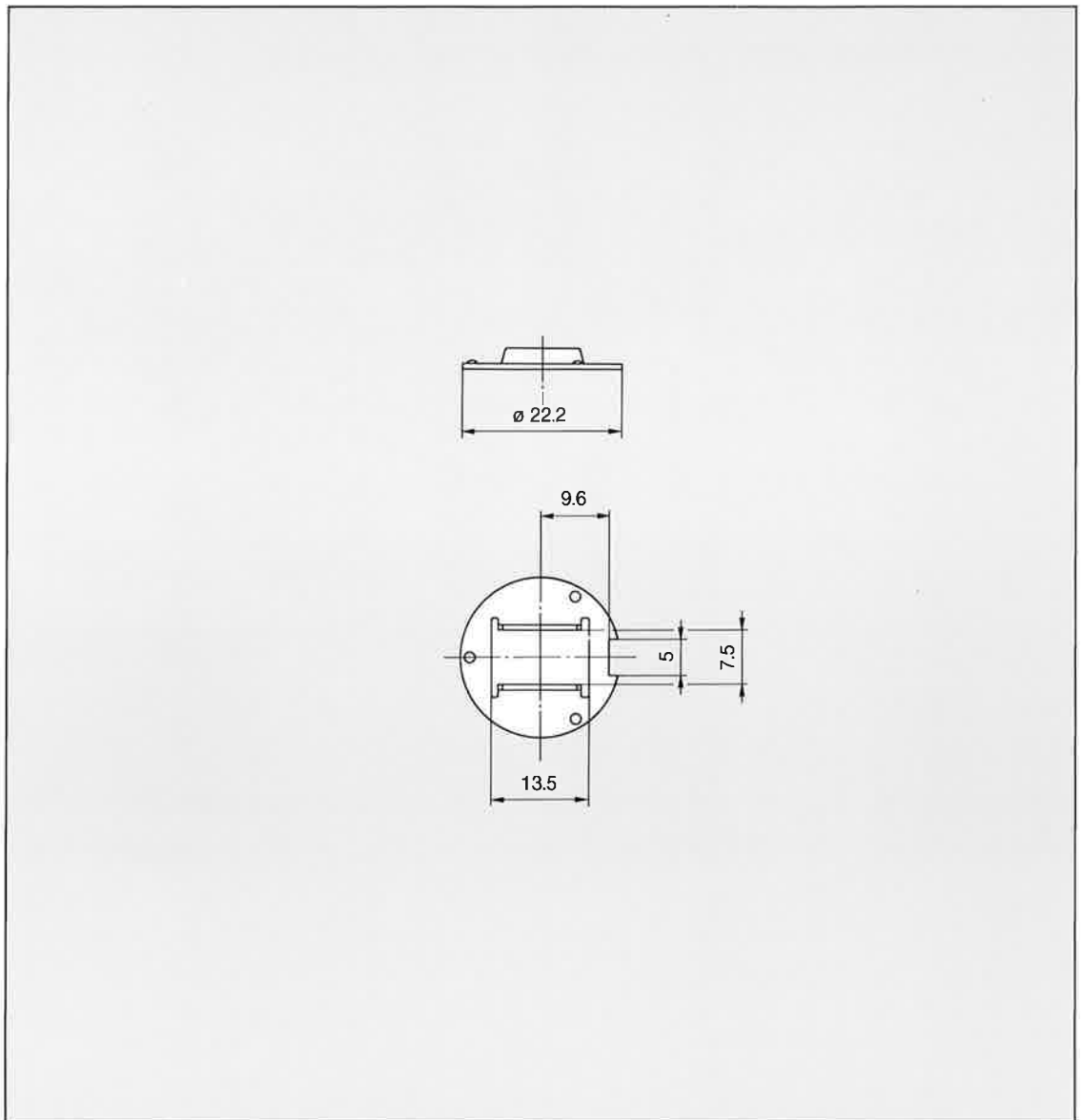
Designation	Material	Fig.	Code	Remarks
G38/53x60	brass	1	3222 076 46 ...	ceramic insulation
G38/55x65	ceramic	2	3222 077 46 ...	



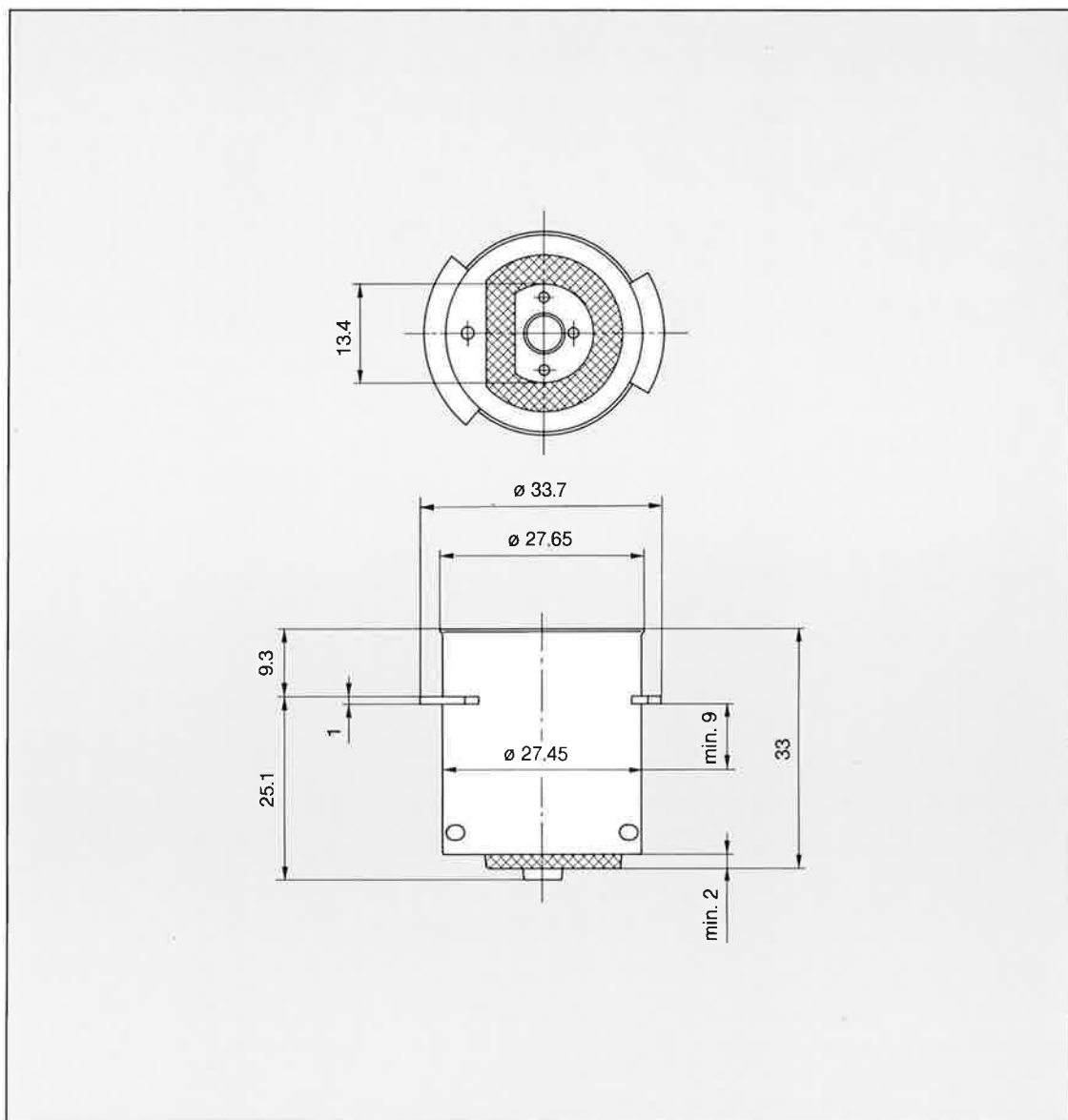
Designation	Material	Fig.	Code
P13.5s/14x9	brass	1	3222 080 15...
PX13.5s/14x9	brass	2	3222 081 19...
PX13.5s/14x9	cupro nickel	2	3222 081 21...



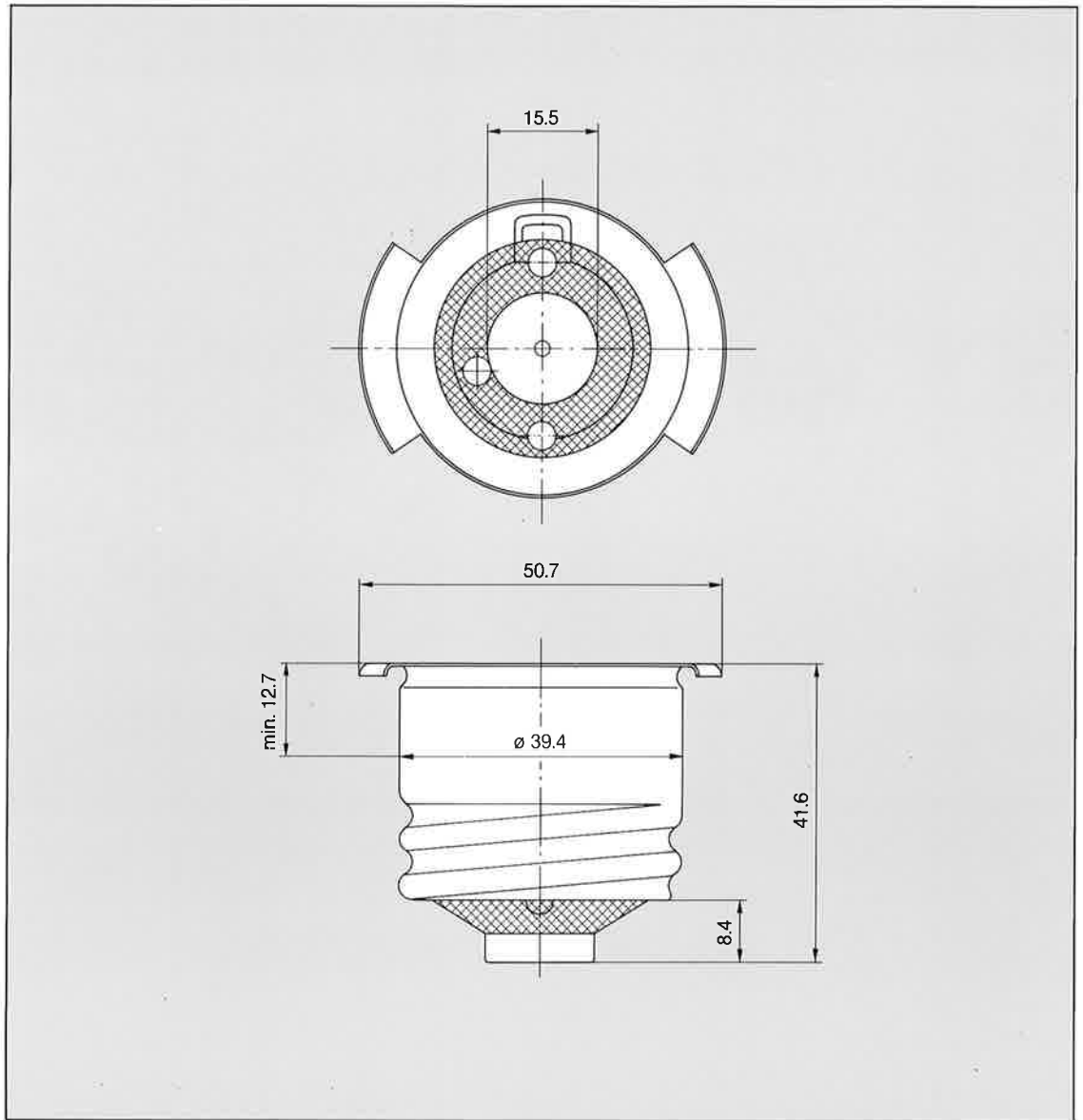
Designation	Material	Code
ring	brass	3222 090 4780 .



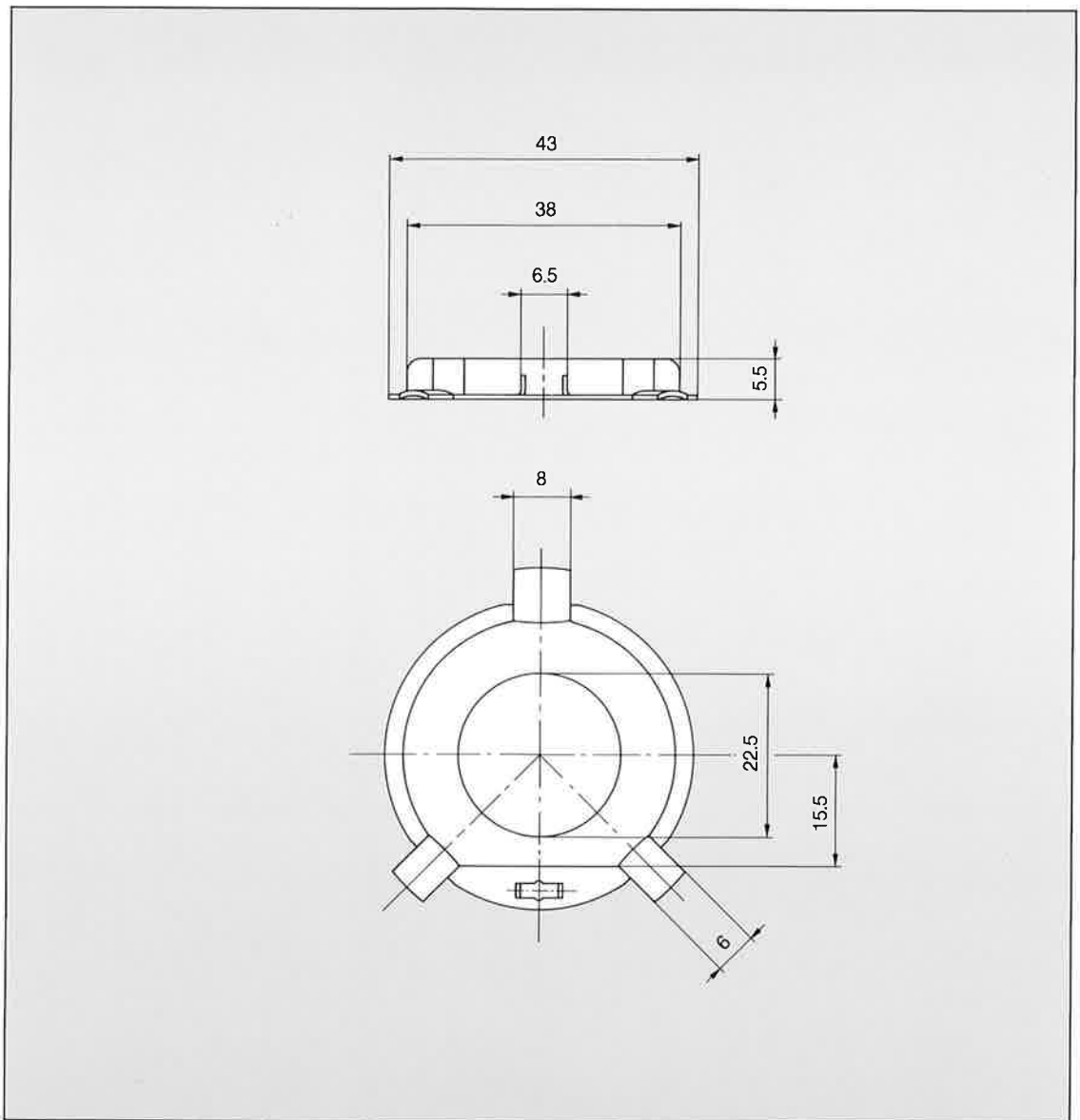
Designation	Material	Code
ring	brass	3222 090 6151.



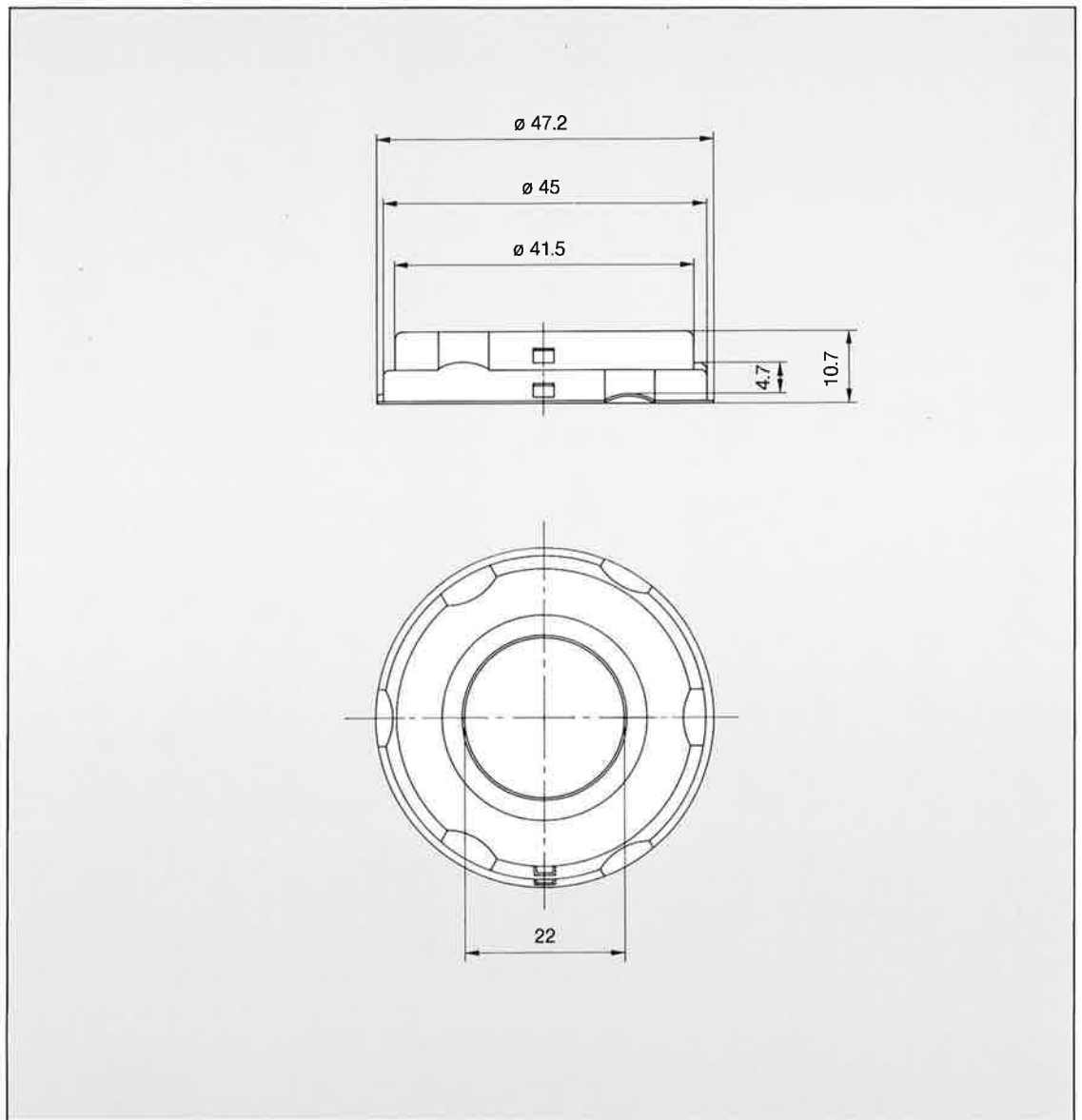
Designation	Material	Code	Remarks
P28s/33	brass	3222 080 74...	plastic insulator



Designation	Material	Code
P40s/41	brass	3222 080 13 ...



Designation	Material	Code
ring	steel	3222 090 0476 .



Designation

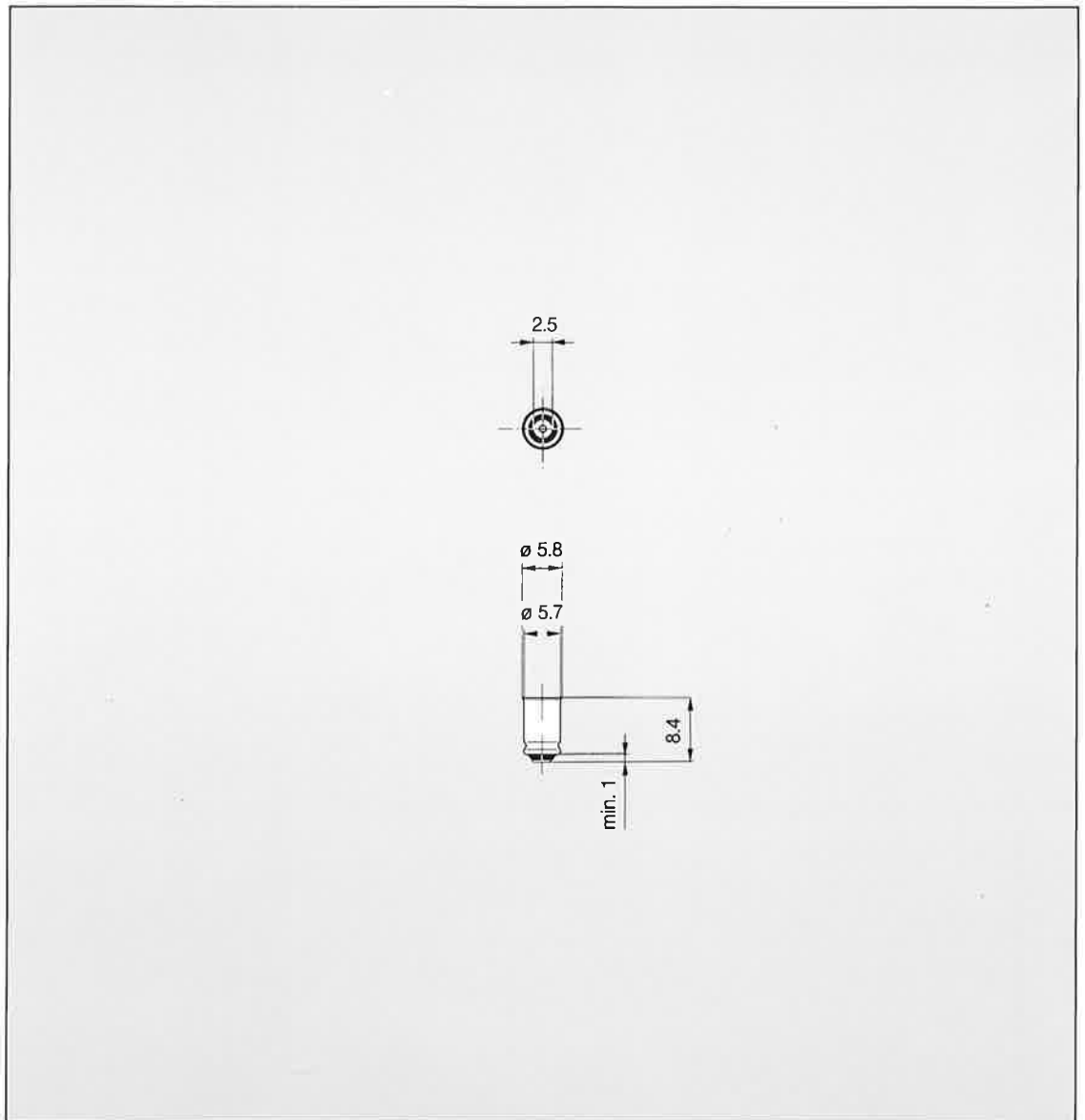
Material

Code

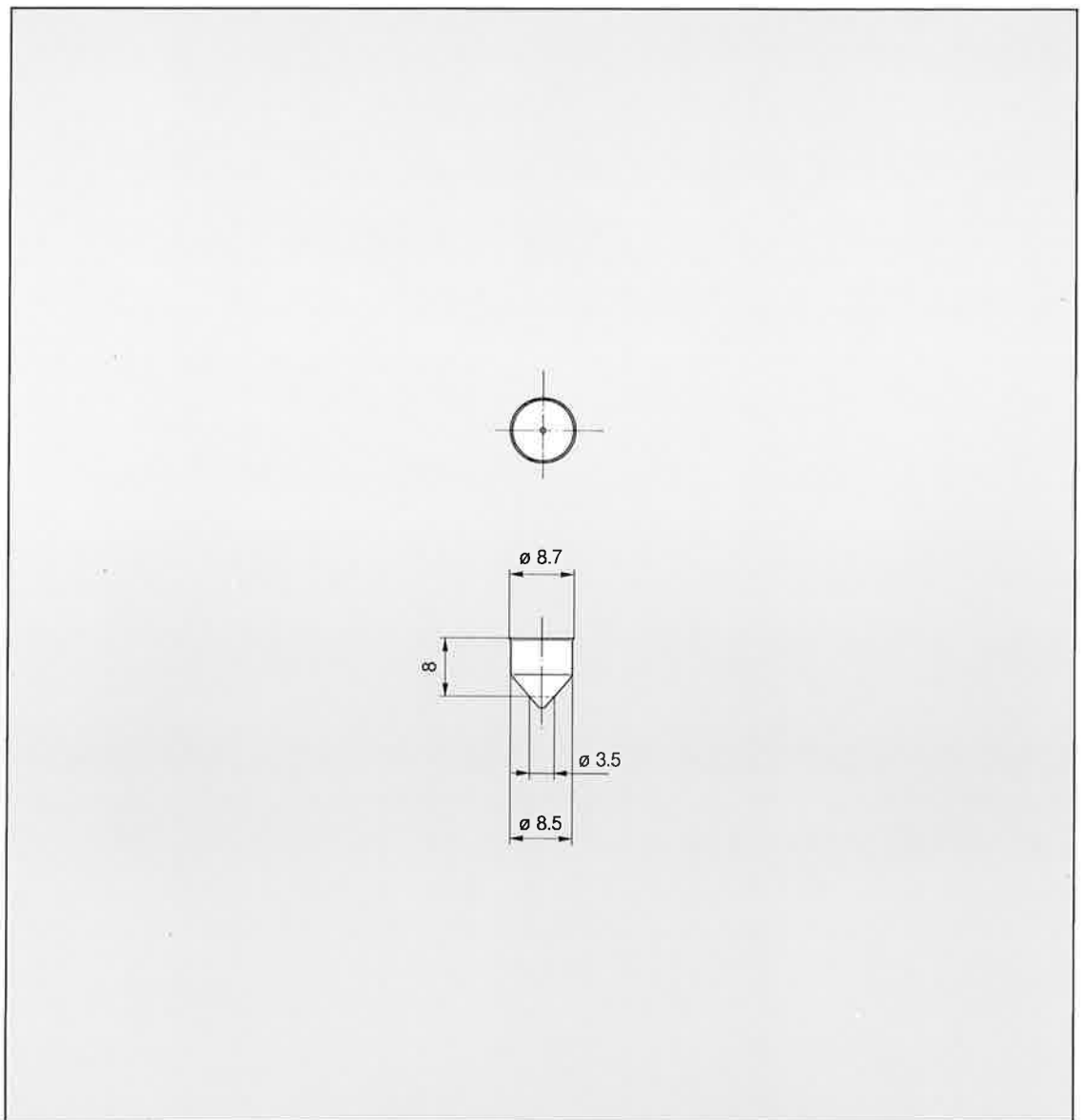
ring

brass

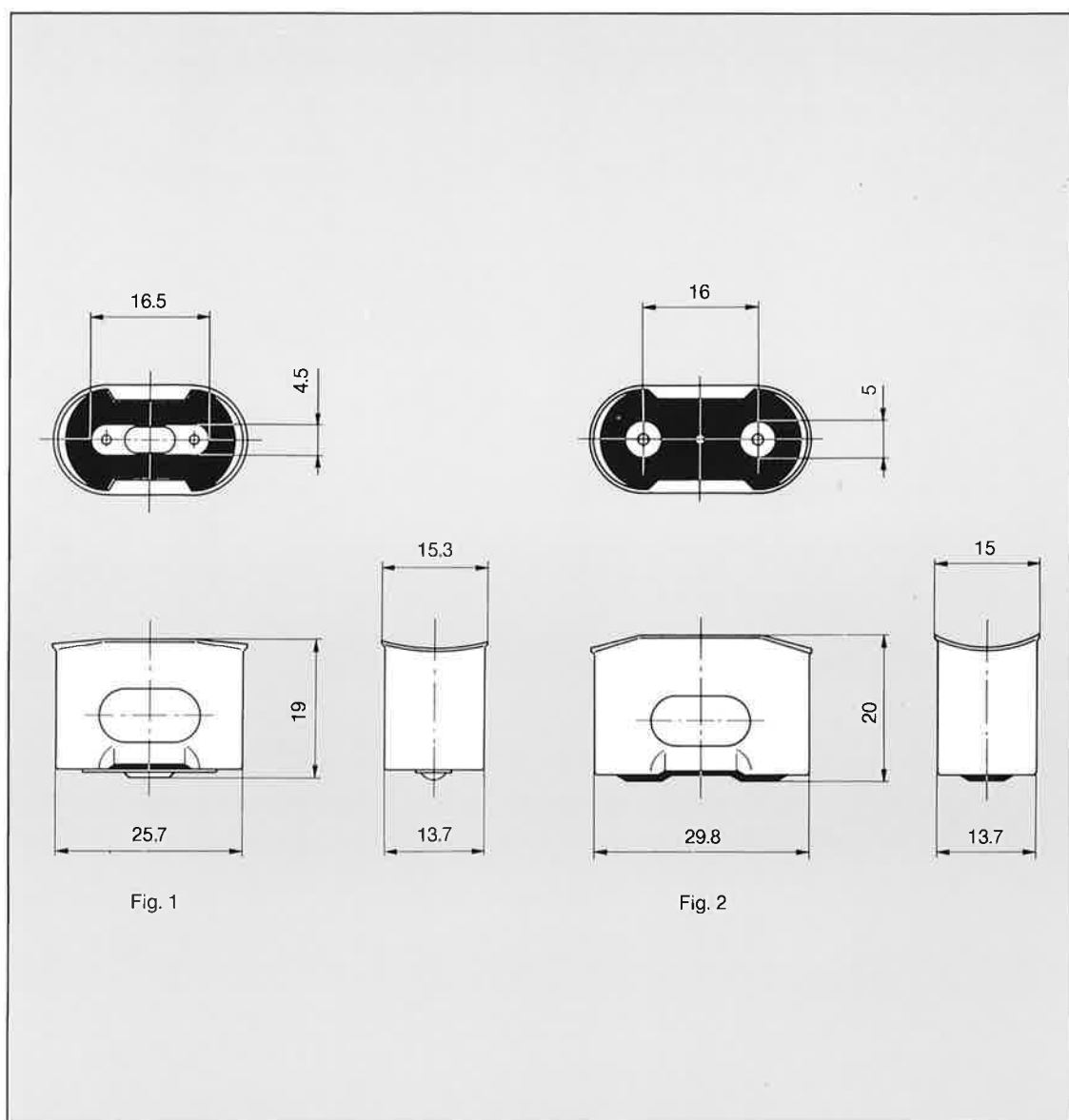
3222 090 2000



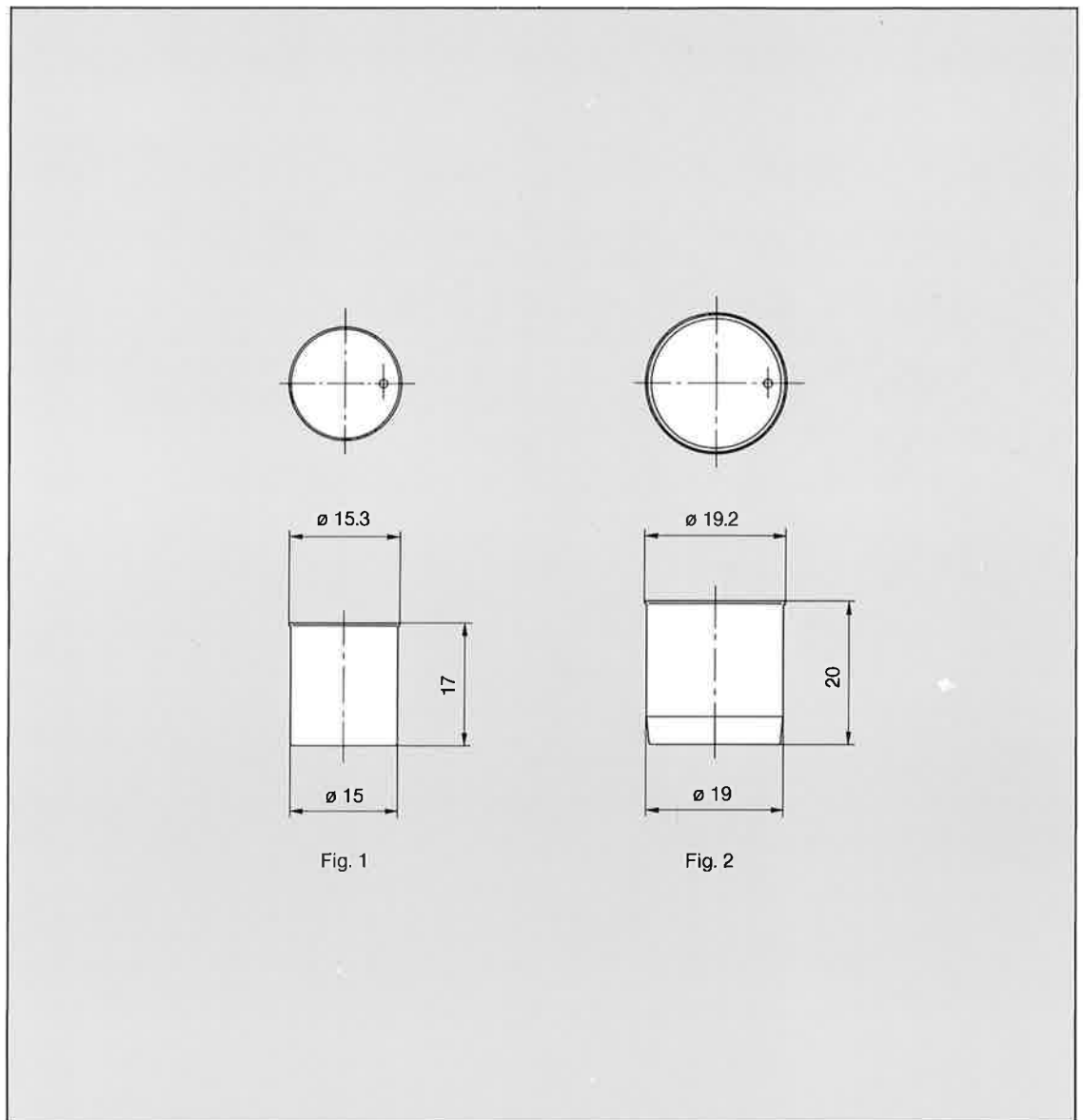
Designation	Material	Code
S5.7s/8	brass	3222 072 95



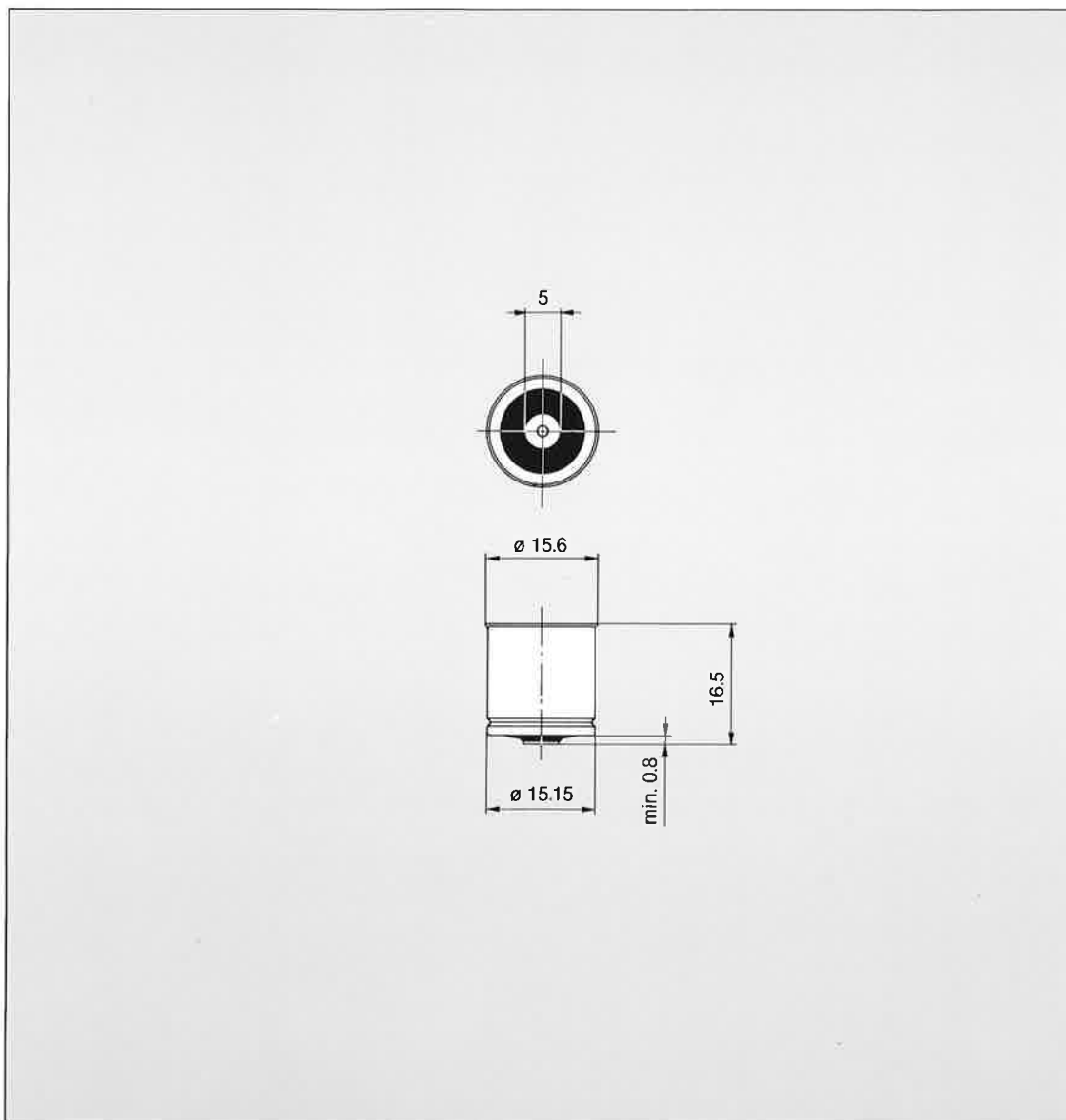
Designation	Material	Code
SV8.5-8	brass	3222 072 04 ...



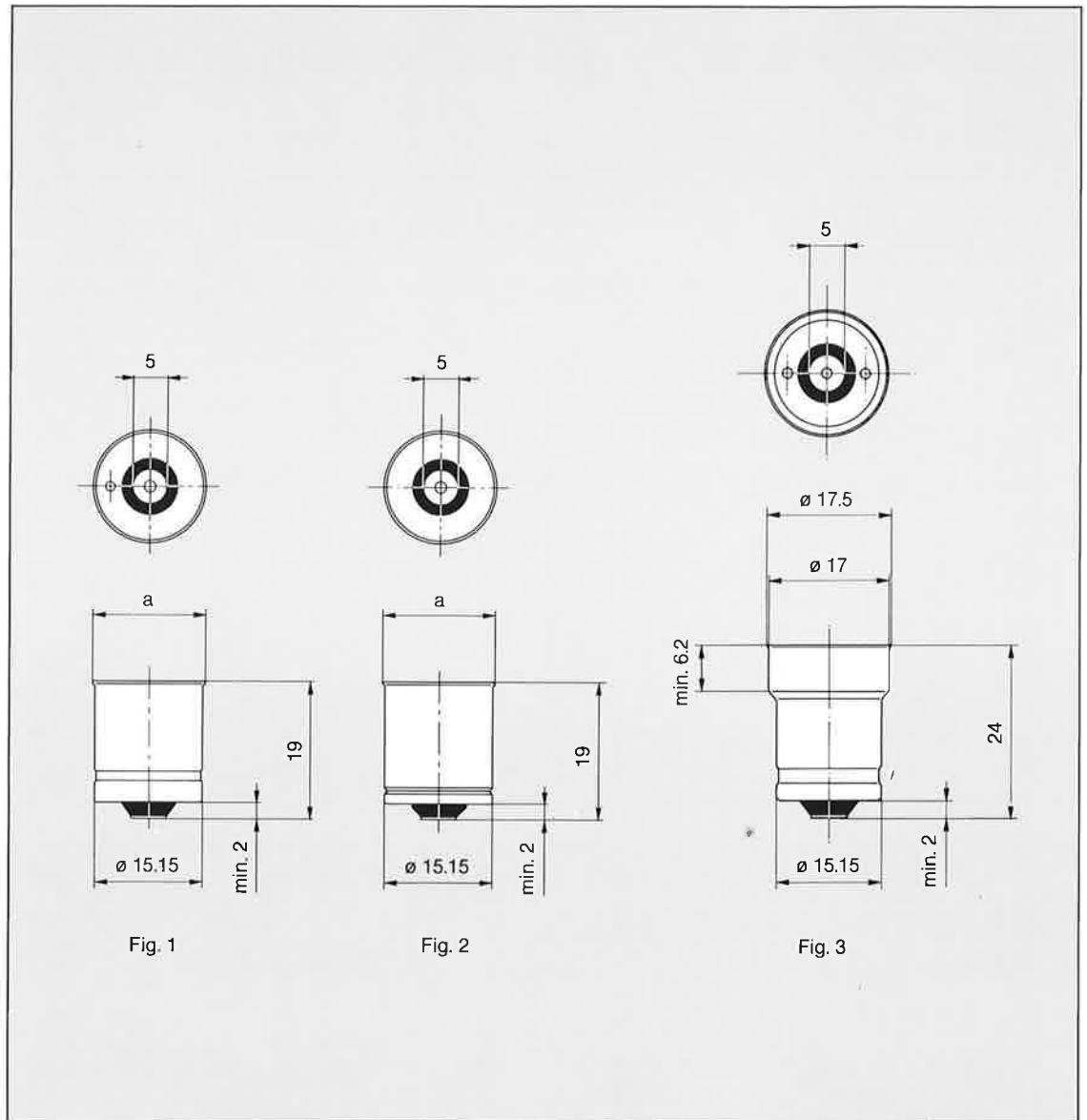
Designation	Material	Fig.	Code
S14s / 19x26	brass	1	3222 072 55 <small>www.vitr.nl</small>
S14d / 20x30	brass	2	3222 072 56 <small>www.vitr.nl</small>



Designation	Material	Fig.	Code	Remarks
S15/17	brass	1	3222 073 18	hole in bottom
S19/20	brass	2	3222 073 19	hole in bottom



Designation	Material	Code
S15s/16	aluminium	3222 073 23 ...



Designation	Material	Fig.	Code	a	Remarks
SX15s/19	brass	1	3222 072 27 ...	15.3	hole in shell bottom
SX15s/19	brass	2	3222 073 24 ...	15.3	
SX15s/19	German silver	2	3222 073 01 ...	15.6	
SX15s/24x17	brass	3	3222 072 93 ...		2 holes in shell bottom

ANSI versus IEC designation system

Miniature screw base	E10/12
Candelabra screw base	E12/15
Intermediate screw base	E17/20
Medium screw	
single contact base	E26/24
double contact base	E26d
Mogul screw base	E39
Single pin base	Fa8
Miniature bi-pin base	G5
Medium bi-pin base	G13
Recessed double contact base	R17d
Miniature bayonet base	BA9
Candelabra bayonet base	BA15
Medium prefocus base	P28/25
Single contact miniature flanged base	P13.5S

Notes:

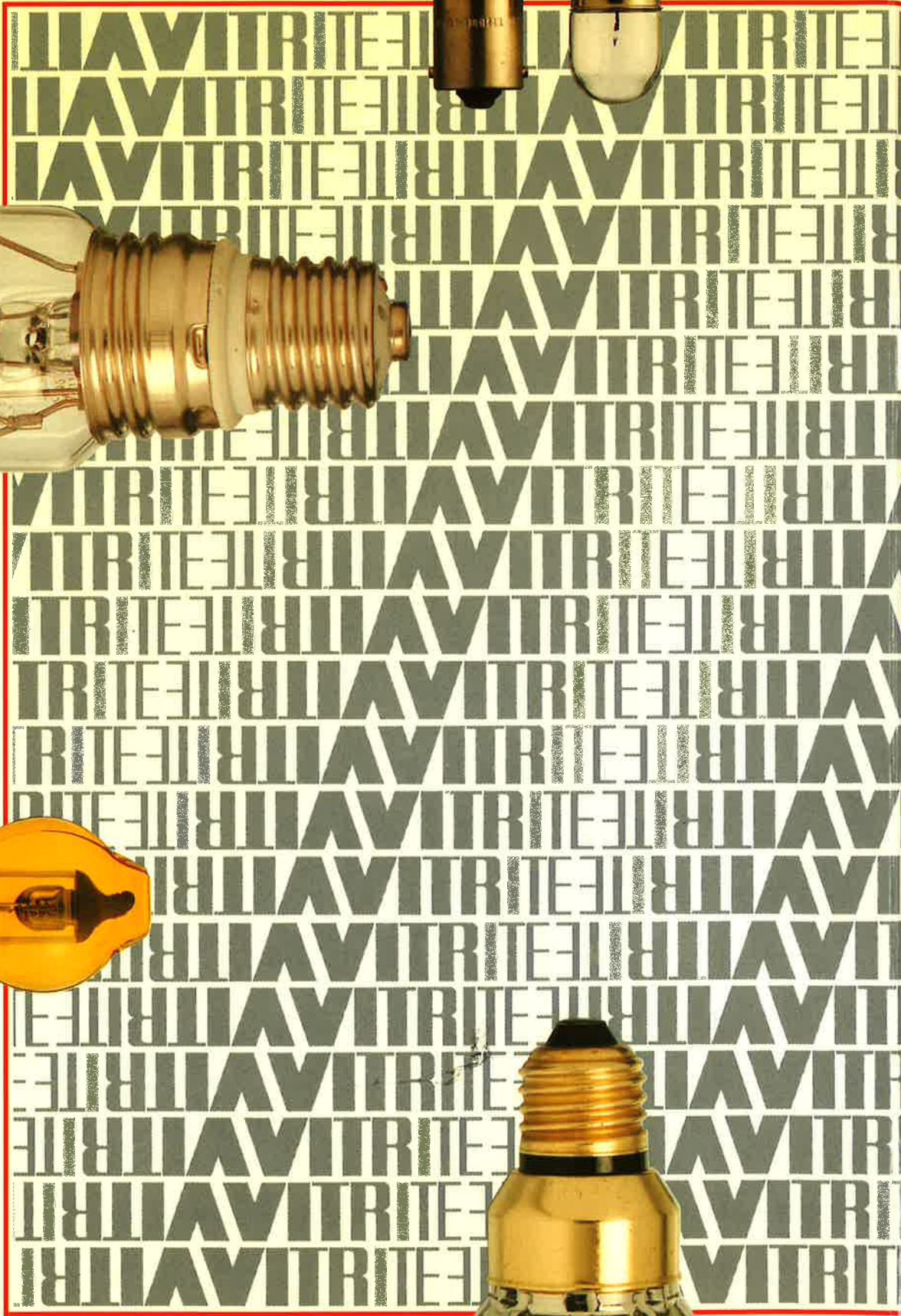
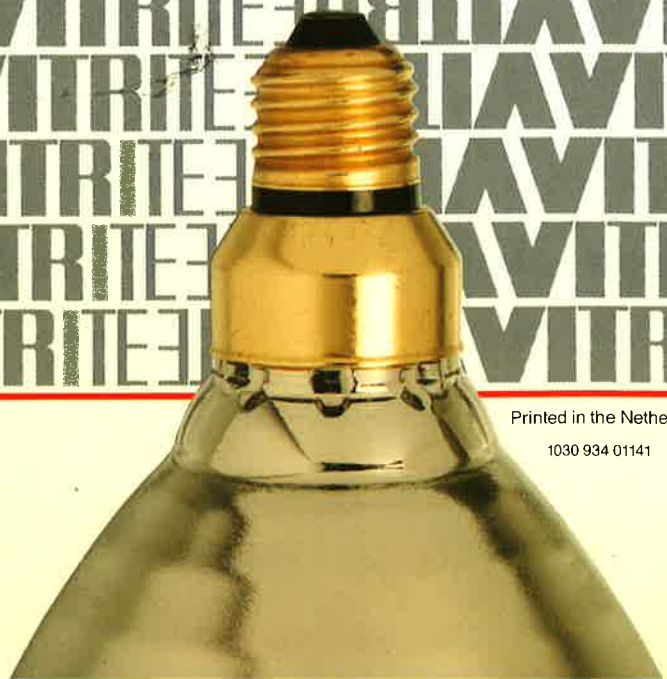
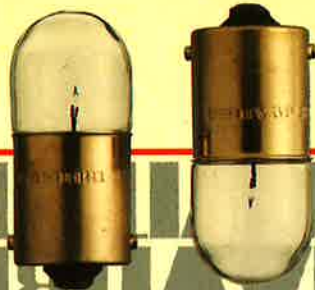
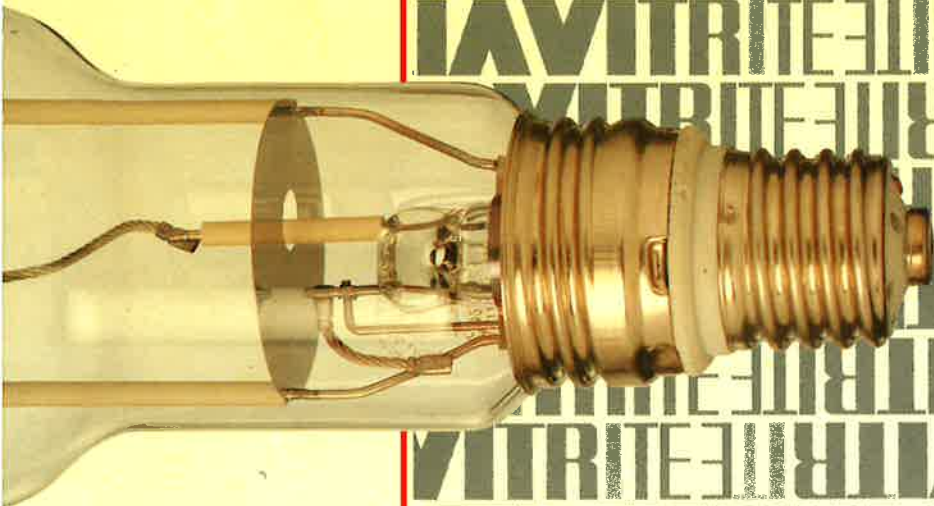
All indicated dimensions on product sheets are in millimetres.

Special caps available on request.

Enclosed technical product documentation will provide you with general information only.

Should you, however, require a special design or version such as those which are brass, nickel plated, foam insulated, slotted, notched, and / or date coded, please contact VITRITE.

Division of Philips Export B.V.



DE VITRITE FABRIEK
(THE VITRITE WORKS)
P.O. BOX 8001
4330 EA MIDDELBURG
THE NETHERLANDS
TELEFAX +31 1180 37835
TEL. +31 1180 80911
TELEX 37876

Printed in the Netherlands

1030 934 01141 10-87