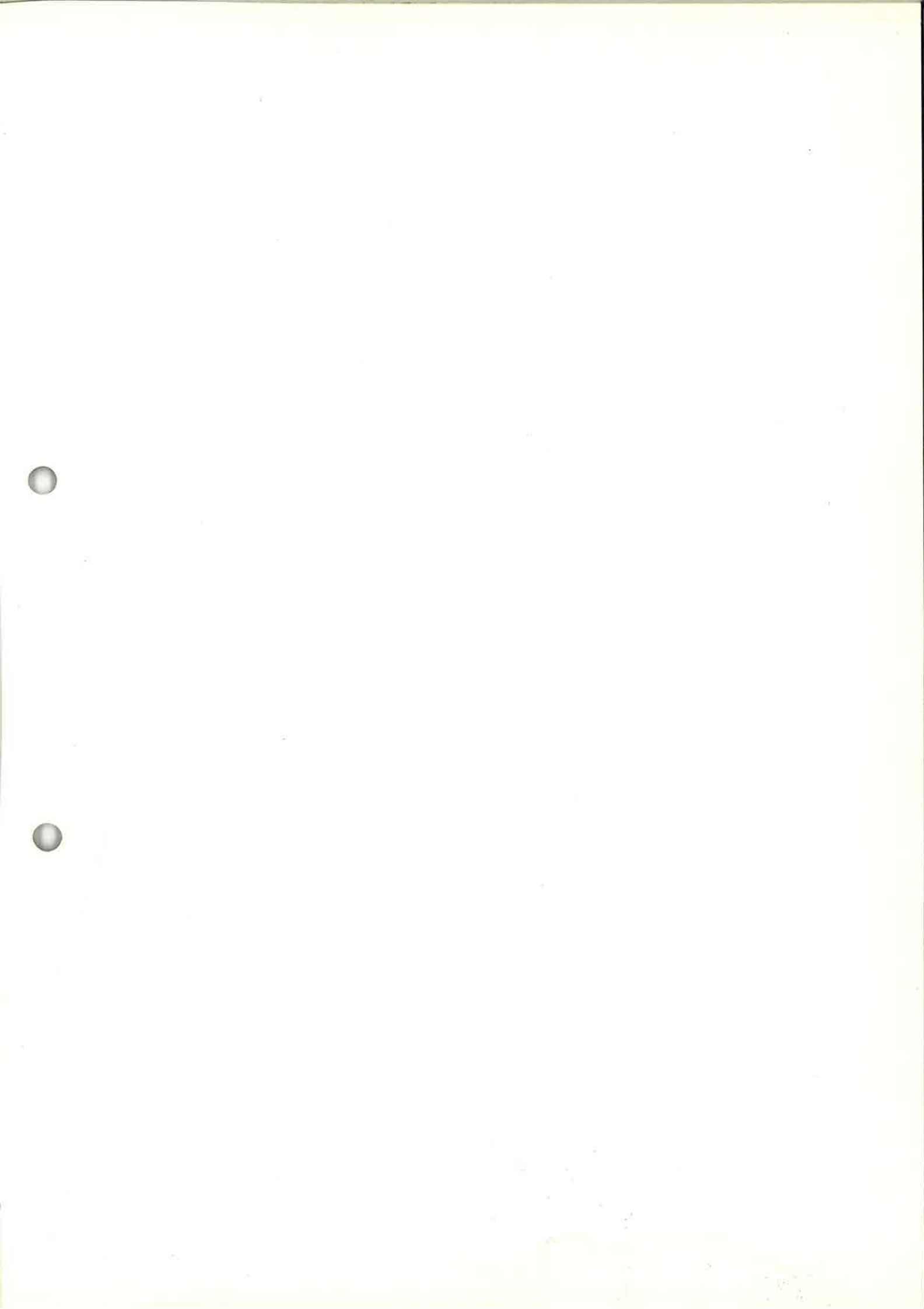


Mazda

CI/SfB

Auto and Miniature Lamps





Mazda VEHICLE AND MINIATURE LAMPS

- 1 Contents
- 2 Sealed beam lamps
- 3 British and American prefocus lamps
- 4 British prefocus lamps
- 5 Tungsten halogen lamps
- 6 Ordinary headlamps
- 7-10 Ancillary lamps
- 11 Cycle dynamo lamps and flashlamps
- 12 Bus, coach and yacht lamps
- 13 Telephone visual lamps and telewriter lamps
- 14 Radio panel and miners lamps
- 15 Lamp cap dimensions
- 16-19 Lamps/car application guide
- 20-24 Lamp number index

Mazda SEALED BEAM LAMPS

Lens carefully moulded to exacting tolerances to ensure accurate light control.

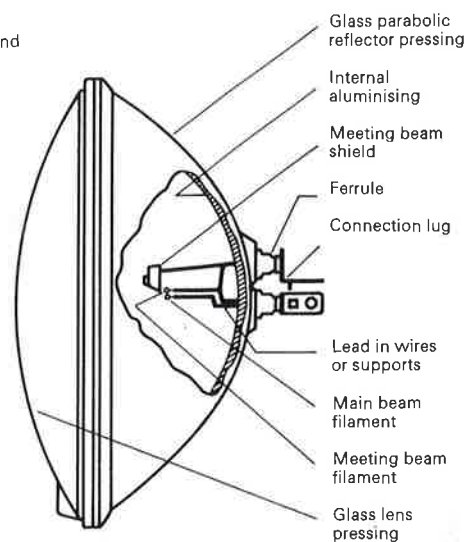
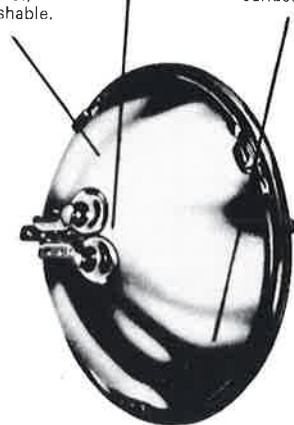
Larger gas volume reduces lamp blackening maintains light output through life.

Aiming studs for final, permanent adjustment of beam.

Reflector starts clean and stays so throughout life. Dustproof, Waterproof, Untarnishable.

Filaments focused in the factory and remain focused throughout life.

There is no 'blind spot' behind the filament so all the reflector surface is used.



Sealed Beam Lamps are available in various forms: single and double filament headlamps and auxiliary fog and spot lamps. The main advantages of Sealed Beam Lamps are:

- 1 The completely sealed reflector remains in perfect condition throughout the life of the lamp, it is dustproof, waterproof and untarnishable.
- 2 Filaments are accurately focused in the factory to give permanent precisely controlled beams.
- 3 There is no 'blind spot' behind the filament since all the reflector surface is used.
- 4 Large gas volume reduces lamp blackening giving 95% lumen maintenance throughout life.
- 5 Hard glass lenses are moulded integrally with the reflectors to give fine light control and add robustness.
- 6 Fitted with aiming studs to ensure final, permanent beam adjustment.
- 7 Headlamp main beams are high wattage to ensure more penetration for night driving. Dipped beams have a sharp, crisp cut-off ensuring no dazzle to oncoming traffic whilst clearly lighting kerbs, road signs and pedestrians.
- 8 They have a long life and are interchangeable with metal glass reflector units fitted with separate bulbs.

SEALED BEAM UNITS

- Standard Two Headlight System
7002 12V 60/45W
If Sidelight incorporated
7014 12V 60/45W Pilot
Alternative High Wattage for 7002 is
7010 12V 75/50W
Four Headlight System 7in Units
7013 12V 60/50W Outers R.H. Left
7012 12V 75W Inners
Four Headlight System 5½in Standard Units
5702 12V 50/37.5W Outer
5700 12V 37.5W Inner
Alternative High Wattage Units
5724 12V 75W for Inner
Ford Capri Headlight
7502 12V 60/60W
Alternative Higher Wattage
And improved Beam Pattern
7505 12V 75/60W R.H. Left

Headlamps – with 5½in diameter lens

*With pilot aperture for 1968 Vauxhall Victor

Volts	Watts	Standard Pack	Drive	Dip	Lamp Ref. No.
12	37.5	10	R.H.	—	60-5700
12	50/37.5	10	R.H.	Left	60-5702
12	75	10	R.H.	—	60-5724
12	50/37.5	10	R.H.	Left	60-5718 *

Headlamps – with 7in diameter lens

*With pilot aperture for B.M.C. Mini Cars

12	60/45	10	R.H.	Left	60-7002
12	75/50	10	R.H.	Left	60-7010
12	60/45	10	L.H.	Right	60-7011
12	75	10	R.H.	—	60-7012
12	60/50	10	R.H.	Left	60-7013
12	60/45	10	R.H.	Left	60-7014 *

Headlamps, rectangular

†† With pilot aperture for Ford Capri

12	60/60	10	R.H.	Left	60-7502 ††
12	75/60	10	R.H.	Left	60-7506 ††

Auxiliary lamps – with 5½in diameter lens

Volts	Watts	Standard Pack	Application	Lamp Ref. No.
12	50	10	Spot	60-5704
12	50	10	Fog	60-5706

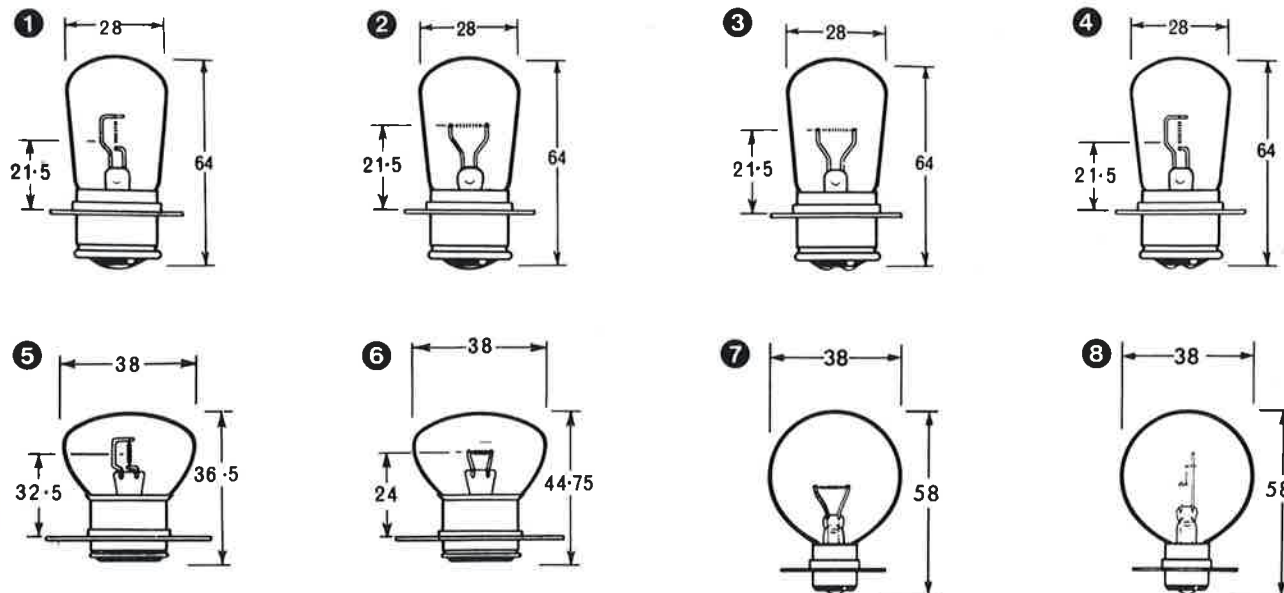
Tungsten halogen auxiliary lamps – with 5½in diameter lens

These lamps are suitable for replacement in Lucas FT9 Units – Lucas Silver Sabre and Lucas Silver Lance.

12	55	10	Fog	60-5720
12	55	10	Spot	60-5721

Mazda BRITISH AND AMERICAN PREFOCUS HEADLAMPS

All dimensions in mm.



For use in headlamps and fog and spot auxiliaries.

Single filament type – with BPF cap P22s/21 and P22d/21 as illustrated

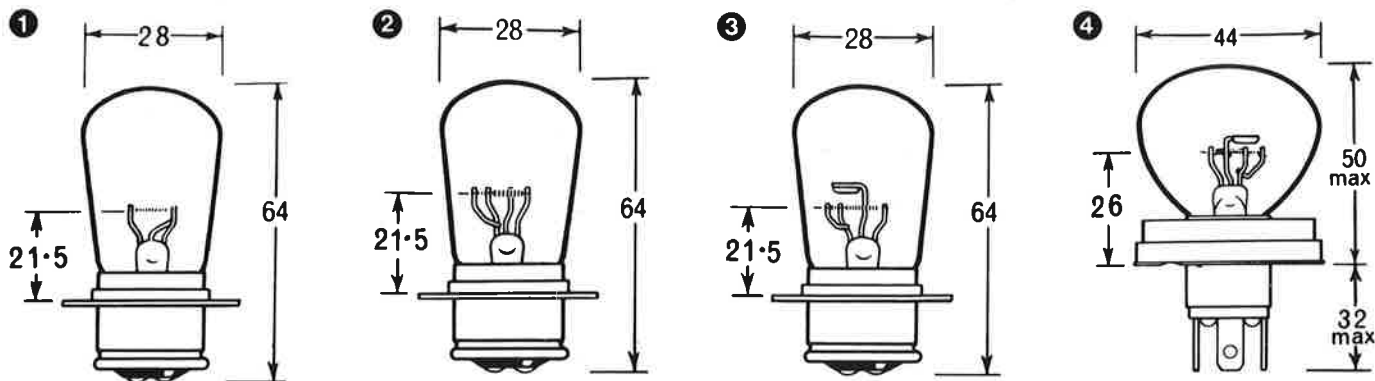
Volts	Watts	Standard Pack	Filament	Contact	Illustration	Lamp Reference No.
12	48	10	Axial	Single	1	26-0185
12	48	10	Transverse	Single	2	26-0323
24	44	10	Axial	Double	4	26-0331
24	44	10	Transverse	Double	3	26-0330

SINGLE FILAMENT TYPE – with special prefocus cap P48d/21

12	48	10	Axial	Double	5	26-0434
12	48	10	Transverse	Double	6	26-0432

Mazda BRITISH PREFOCUS HEADLAMPS

All dimensions in mm.



DOUBLE FILAMENT TYPE – with double contact caps as illustrated and transverse filaments

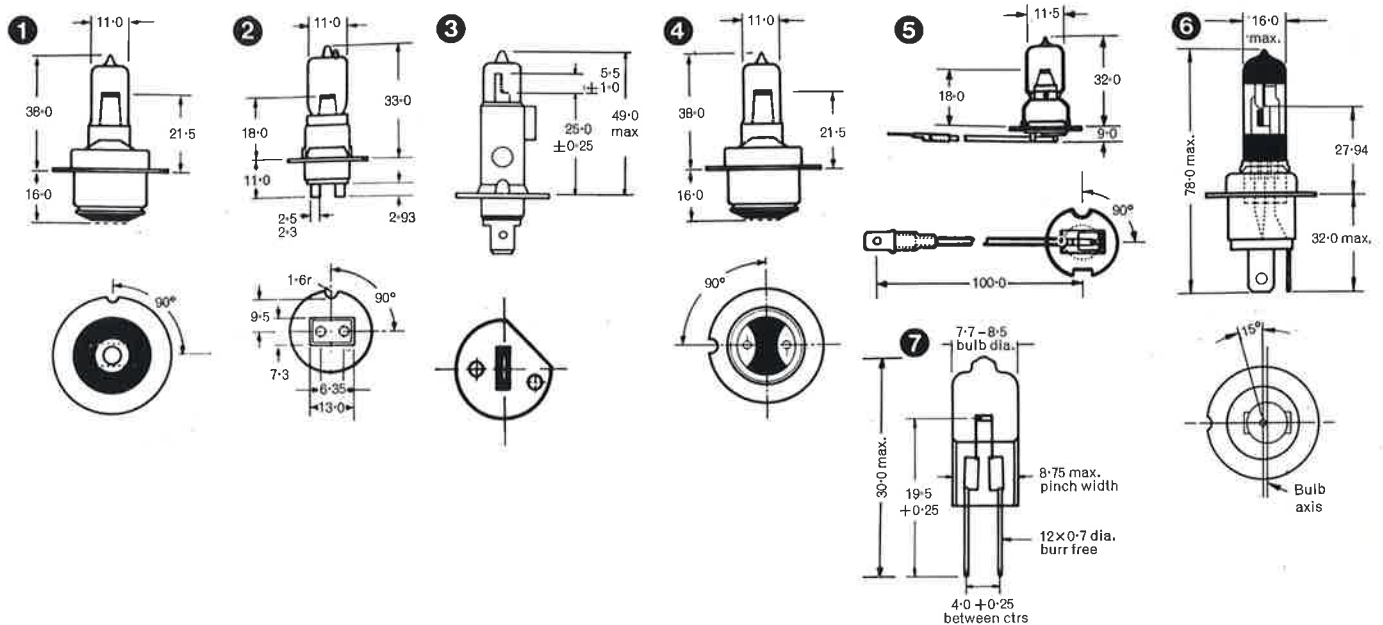
Volts	Watts	Standard Pack	Dip	Drive	Illustration	Lamp Reference No.
6	30/24	10	Vertical	Either	1	26-0312
12	50/40	10	Left	R.H.	3	26-0414 *
12	50/40	10	Right	L.H.	3	26-0415 *
12	60/40	10	Left	R.H.	4	26-0416 * †
12	60/40	10	Right	L.H.	4	26-0417 * †
24	44/38	10	Left	R.H.	2	26-0359

* These lamps have transverse shielded filaments (see illustrations)

† UEC – Unified European Cap

Mazda TUNGSTEN HALOGEN LAMPS

All dimensions in mm.



The widest range in Europe for dipping headlights and all types of fog and spot units.

These lamps of very advanced design have many advantages:

- 1** These lamps have a higher source brightness and produce more light than conventional lamps of the same wattage.
- 2** The tungsten halogen cycle gives virtually total elimination of bulb blackening ensuring that the lamp maintains full performance throughout life.
- 3** The light is 'whiter'.
- 4** Compact filaments give extremely precise optical control putting light in the right place without producing unwanted, wasteful glare.
- 5** Overall robustness, high resistance to mechanical and thermal shock.
- 6** Long life. Typical value: 350 Hrs at 12V.
- 7** The double filament headlamp and lamps (26-0450, 26-0454, 26-0458 and 26-0459) are directly interchangeable with conventional lamps fitted with BPF caps.

Volts	Watts	Standard Pack	Application and Illustration No.	Cap	Lamp Reference No.
6	50	10	Fog and Spot (1)	BPF Single	26-0454
12	55	10		Contact P22s/21	26-0450
6	50	10	Fog and Spot (5)	PL22s	26-0455
12	55	10			26-0453*
6	50	10	Fog and Spot (2)	MPF Double	26-2949
12	55	10		Contact PK22-5	26-2951
12	55	10	Fog and Spot (3)	P145s	26-0448†
24	70	10	Fog and Spot (1)	P22s/21	26-0459
24	70	10	Fog and Spot (4)	P22d/21	26-0458
12	60/55	10	Headlamp	G16T/23422	26-0463
6	10	10	M29 miniature †halogen (7)	Bi-pin 94	85-7015
6	20	10	‡M30 (7)	Bi-pin G4	85-7016

* Internationally standardised and known as H3

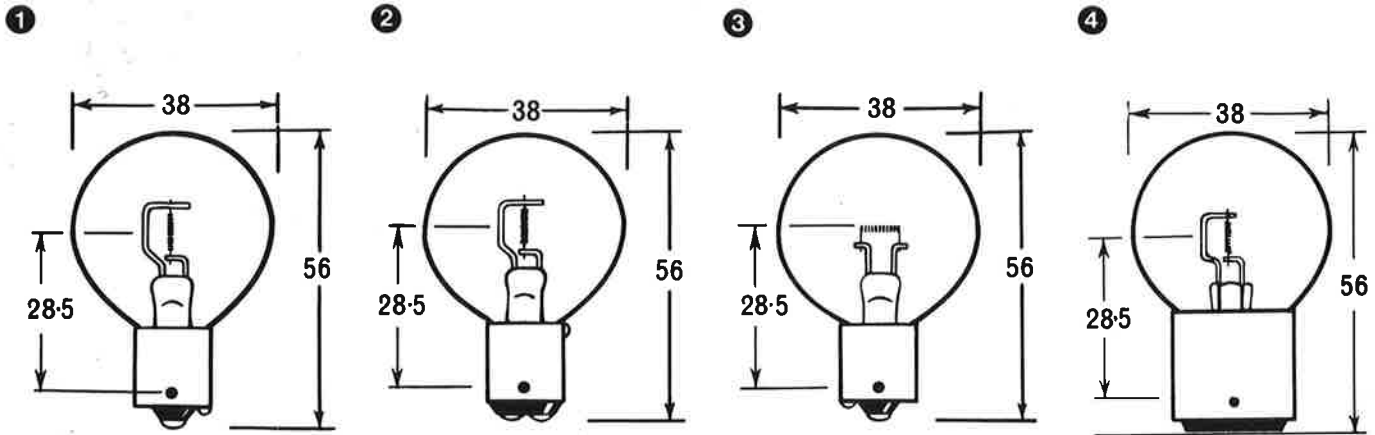
† Internationally standardised and known as H1

‡ These new lamps have a number of interesting possibilities. They are likely to prove useful in:

- 1 Industrial heavy duty and rechargeable torches
- 2 Aircraft safety devices
- 3 Film editor lamps
- 4 Copying machines
- 5 High intensity hand lanterns, railway signal lamps
- 6 Flashing beacons, road works, warning signs
- 7 Scientific equipment (eg densitometers, industrial endoscopes)
- 8 Medical equipment
- 9 Fibre optic systems
- 10 High-intensity desk-lights, compact reading lamps
- 11 Low-voltage shop-window or display applications
- 12 Domestic spots or flood units
- 13 Lighting pictures, etc.
- 14 Photocell energising

Mazda ORDINARY HEADLAMPS

All dimensions in mm.

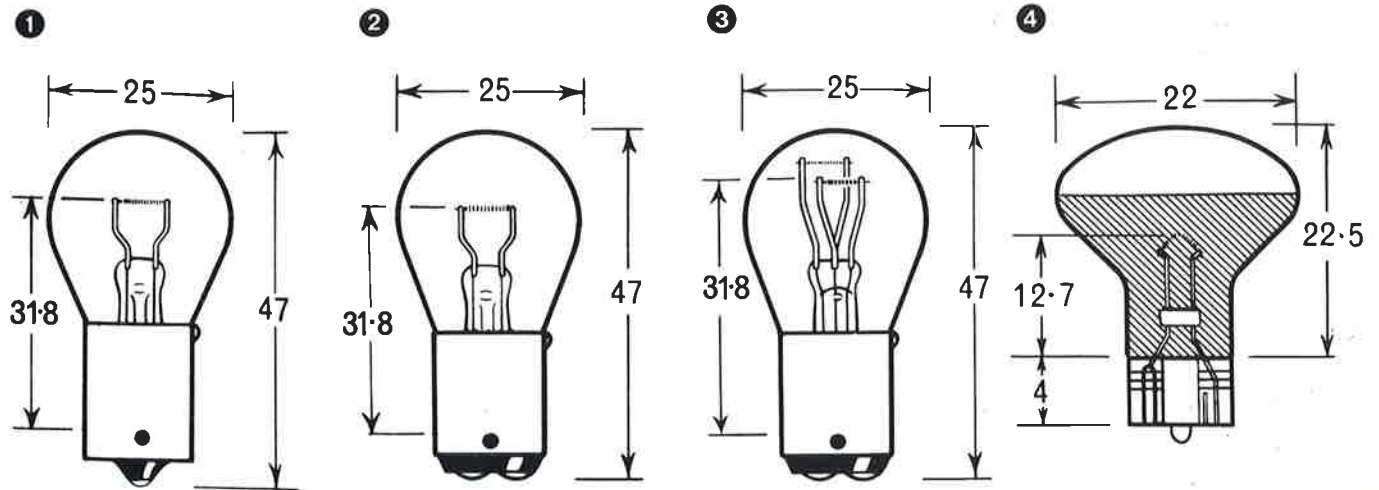


SINGLE FILAMENT TYPE

Volts	Watts	Standard Pack	Cap	Filament	Illustration	Lamp Reference No.
12	24	10	SCC	Axial	1	25-0001
12	24	10	SBC	Axial	2	25-0004
12	36	10	SCC	Axial	1	25-0002
12	36	10	SBC	Axial	2	25-0005
24	24	10	SBC	Axial	2	25-0122
24	36	10	SBC	Axial	2	25-0123

Mazda ANCILLARY LAMPS

All dimensions in mm.



FLASHER AND STOP/TAIL – with transverse filaments

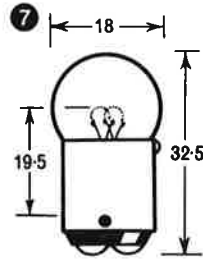
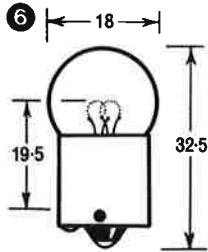
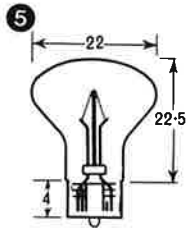
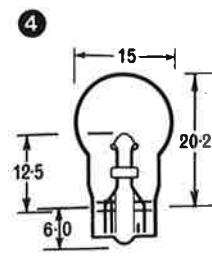
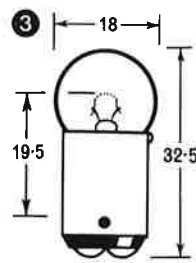
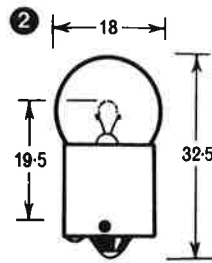
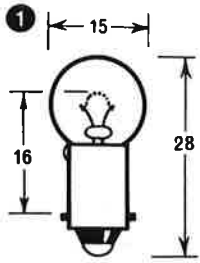
Volts	Watts	Standard Pack	Cap	Illustration	Lamp Reference No.	ECE Regulation No.
6	21	10	SCC	1	25-0317	
6	21	10	SBC	2	25-0319	
6	5/21	10	SBC index	3	25-0384	
12	21	10	SCC	1	25-0382	P25-1
12	21	10	SBC	2	25-0335	
12	21	10	SCC	1	25-0343 *	
12	6/21	10	SBC	3	25-0381	P25-2
12	5/21	10	SBC index	3	25-0380	P25-2
24	24	10	SCC	1	25-0339	
24	24	10	SBC	2	25-0333	
24	5/21	10	SBC index	3	25-0334	
REVERSING						
12	5	10	wedge base	4	20-0503 †	
12	21	10	SCC	1	25-0382	

* Amber bulb

† Externally silvered

Mazda ANCILLARY LAMPS

All dimensions in mm.

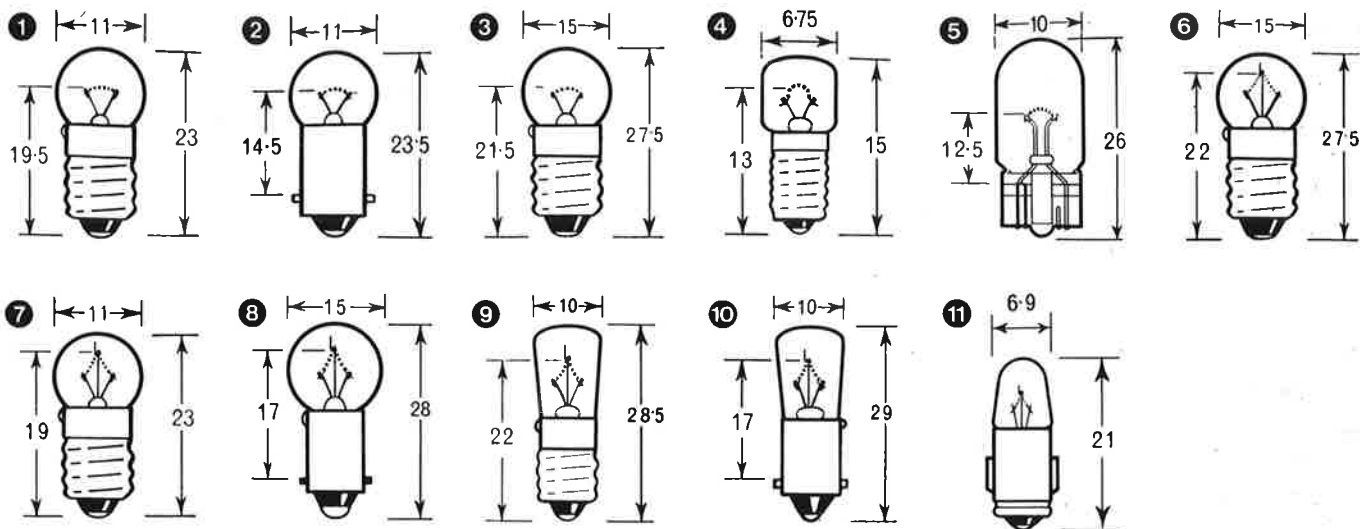


SIDE AND TAIL – with bow filaments

Volts	Watts	Standard Pack	Cap	Illustration	Lamp Reference No.	ECE Regulation No.
6	3	10	MCC	1	20-0988	
6	6	10	MCC	1	20-0951	
6	5	10	SCC	2	20-0205	
6	6	10	SBC	3	20-0206	
12	5	10	wedge base	4	20-0501	W15
12	5	10	MCC	1	20-0989	
12	5	10	SCC	2	20-0207	
12	5	10	SBC	3	20-0209	
24	5	10	wedge base	5	20-0502	
24	5	10	SCC	6	20-0149	
24	5	10	SBC	7	20-0150	
28	6	10	SBC	3	20-0228	

Mazda ANCILLARY LAMPS

All dimensions in mm.



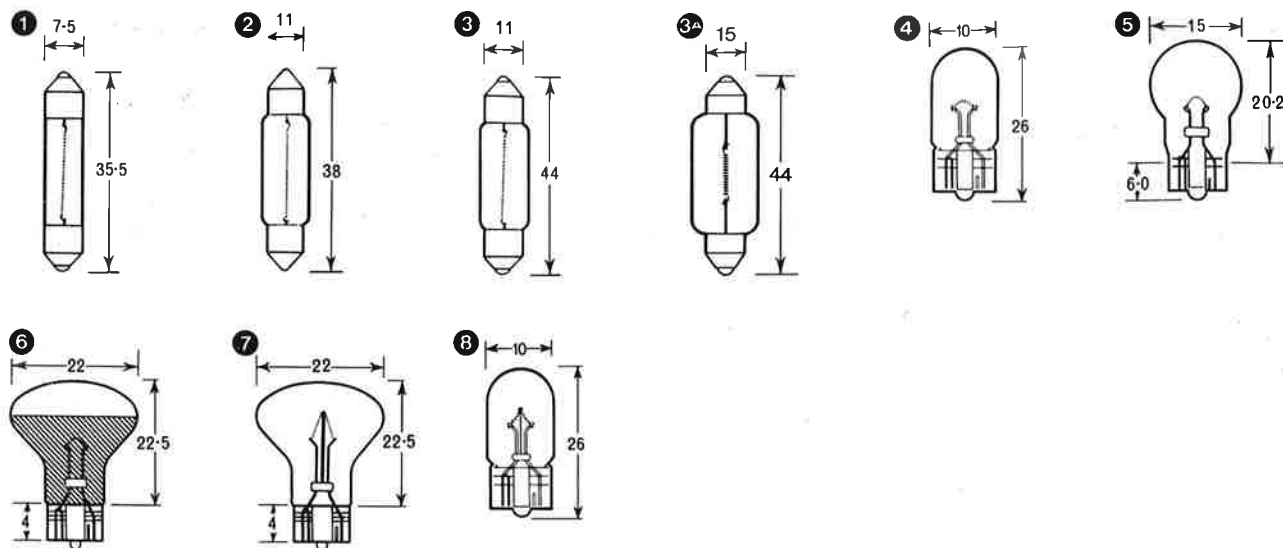
INDICATOR, PANEL AND INSTRUMENT WARNING

Volts	Watts	Standard Pack	Cap	Illustration	Lamp Reference No.	Lamp No.
6	3	10	MES	1	21-0990	
6	3	10	MCC	2	21-0641	
6	6	10	MES	3	21-0950	
12	1.5	10	LES	4	21-0280	
12	1.5	10	wedge base	5	21-2131	
12	1CP	10	wedge base	5	21-2104	
12	2	10	BA7s/11	11	21-0281	
12	2.2	10	MES	1	21-0987	
12	2.2	10	MCC	2	21-0643	
12	3	10	wedge base	5	21-0504 *	
16	3	10	MES	6	21-0985	
24	2.8	10	MES	7	21-0650	
24	2.8	10	MCC	8	21-0651	
24	2.8	10	MES	9	21-0695	
24	2.8	10	MES	6	21-0993	
24	2.8	10	MCC	10	21-2020	867
24	3	10	wedge base	5	21-0505	

* Formerly rated 2.2W

Mazda ANCILLARY LAMPS

All dimensions in mm.



FESTOON FOR TRAFFICATORS AND ROOF-LIGHTS

Volts	Watts	Standard Pack	Cap	Illustration	Lamp Reference No.	E.C.E. Regulation No.
6	3	10	S7/8	1	23-0255	
6	6	10	S8·5/8	2	23-0253	
12	3	10	S7/8	1	23-0256	
12	6	10	S8·5/8	2	23-0254	
12	10	10	S8·5/8	2	23-0272	
12	18	10	S8·5/8	3A	23-0270	
12	21	10	S8·5/8	3A	23-0273	
24	6	10	S8·5/8	2	23-0653	
24	6	10	S8·5/8	3	23-0260	
24	6	10	S8·5/8	2	23-0654 *	
24	10	10	S8·5/8	2	23-0274	

WEDGE BASE (Capless)

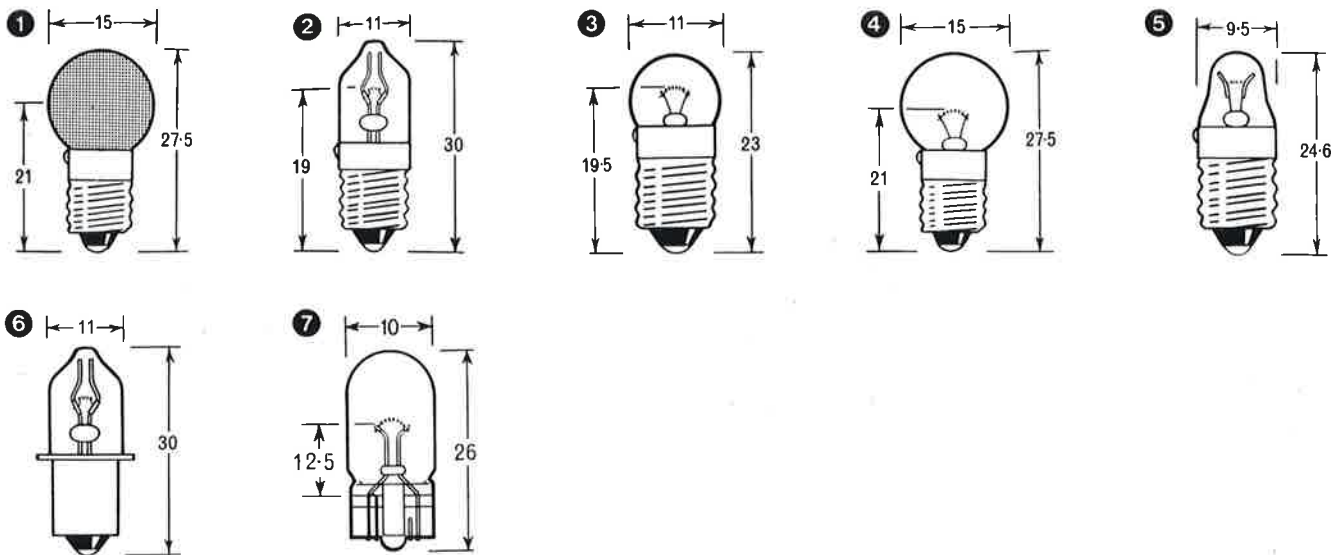
12	1CP	10	Panels	4	21-2104	
12	1·5	10	and	4	21-2131	
12	3	10	Instruments	4	21-0504	
12	5	10	Side and No. Plate	5	20-0501	W15
12	5	10	Reversing	6	20-0503 †	
24	3	10	Indicator	8	21-0505	
24	5	10	Marker	7	20-0502	
28	2·8	10	Aircraft Panel	8	28-6624 (A400)	
28	11	10	Reading Lamp	7	28-6680 (A401)	

* Supported filament

† Externally silvered

Mazda CYCLE DYNAMO AND FLASHLAMPS

All dimensions in mm.



CYCLE DYNAMO LAMPS Headlamps

Volts	Amps	Standard Pack	Cap	Finish	Illustration	Lamp Reference No.	Lamp No.
6	0.2	10	MES	Granulated	1	24-2162	843
6	0.25	10	MES	Granulated	1	24-2012	844
6	0.25	10	wedge base	Clear	7	24-2049	
6	0.3	10	MES	Granulated	1	24-2013	845
6	0.5	10	MES	Granulated	1	24-0997	
6	0.65	10	wedge base	Clear	7	24-2060	

Tail and battery operated

6	0.04	10	MES	Clear	2	24-0991	
6	0.1	10	MES	Clear	2	24-0998	
6	0.1	10	wedge base	Clear	7	24-2048	

FLASHLAMPS – with clear bulbs Ordinary type

Volts	Amps	Standard Pack	Cap	Illustration	Lamp Reference No.	Lamp No.
1.5	0.2	10	MES	3	22-0390	
2.5	0.2	10	MES	3	22-0970	
2.5	0.3	10	MES	3	22-0972	
3.5	0.15	10	MES	3	22-0974	
3.5	0.3	10	MES	3	22-0977	
4.5	0.3	10	MES	4	22-2004	835
5	0.15	10	MES	4	22-2076	836

Lens end type

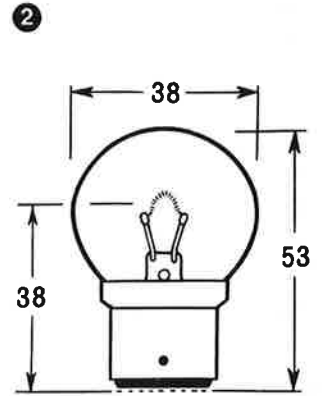
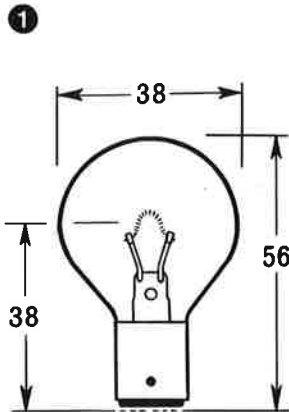
1.5	0.25	10	MES	5	22-2031	
-----	------	----	-----	---	---------	--

Prefocus flashlights

2.5	0.3	10	Prefocus	6	22-2046	831
3.5	0.3	10	P13.5s	6	22-2061	832
5.5	0.3	10		6	22-2077	838

Mazda BUS, COACH AND YACHT LAMPS

All dimensions in mm.

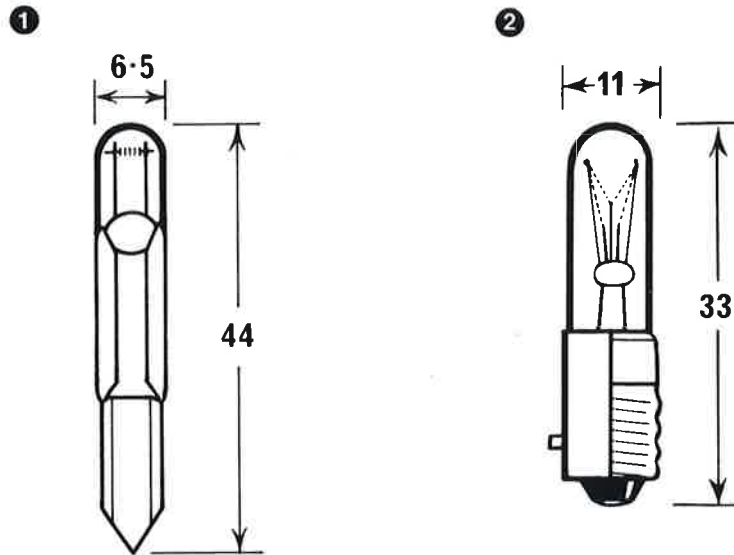


FOR INTERIOR LIGHTING

Volts	Watts	Standard Pack	Cap	Finish	Illustration	Lamp Reference No.	Lamp No.
12	24	10	BC	Pearl	1	27-3204	809
12	24	10	SBC	Pearl	2	27-3205	810
24	12	10	BC	Clear	1	27-3128	811
24	12	10	SBC	Clear	2	27-3129	812
24	12	10	BC	Pearl	1	27-3131	816
24	12	10	SBC	Pearl	2	27-3132	817
24	20	10	BC	Pearl	1	27-3184	821
24	20	10	SBC	Pearl	2	27-3182	822
40	36	10	BC	Clear	1	27-3217	

Mazda TELEPHONE VISUAL AND TELEWRITER LAMPS

All dimensions in mm.



TELEPHONE VISUAL LAMPS

Side contact plates and coloured endpieces

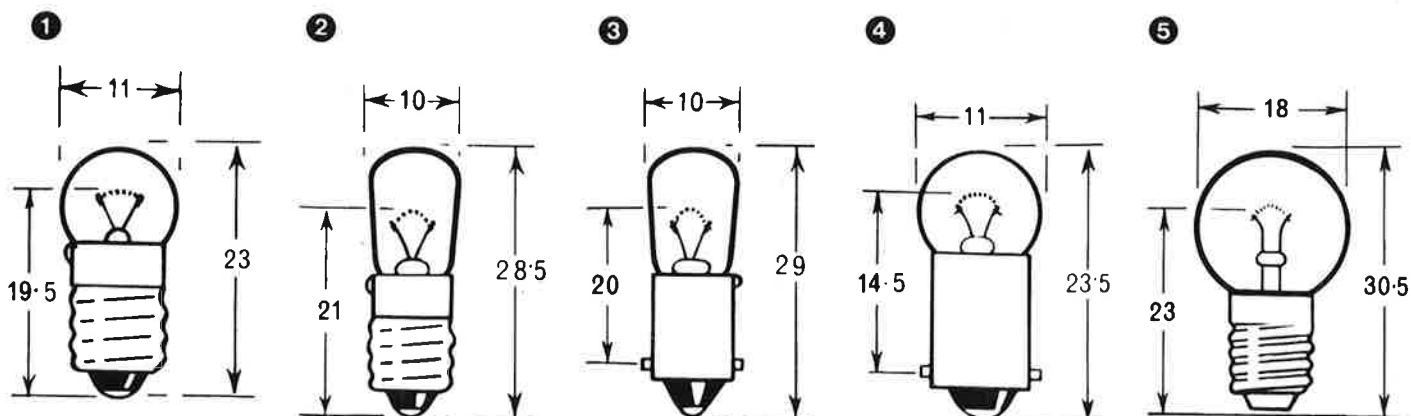
Volts	Amps	Standard Pack	Filament	Endpiece colour	Illustration	Lamp Reference No.
6	0.041	50	No. 2 Metal	Grey	1	24-3125
17	0.045	50	No. 2 Metal	Orange	1	24-3165
24	0.10	50	No. 2 Metal	Yellow	1	24-3171
24	0.055	50	No. 2 Metal	Yellow/Black	1	24-3172
60	0.06	50	No. 2 Metal	White/Grey	1	24-3461
12	0.117	50	No. 2 Carbon	Red	1	24-3001
36	0.075	50	No. 2 Carbon	Black	1	24-3015
50	0.107	50	No. 2 Carbon	White	1	24-3035

TELEWRITER LAMPS

Volts	Amps	Standard Pack	Cap	Lamp Reference No.
24	0.1	50	MCC	24-3551
24	0.1	50	MES	24-3552
50	0.05	50	MCC	24-3626
50	0.05	50	MES	24-3627

Mazda RADIO PANEL AND MINERS LAMPS

All dimensions in mm.



RADIO PANEL LAMPS

Volts	Amps	Standard Pack	Cap	Illustration	Lamp Reference No.	Lamp No.
6.2	0.3	10	MES	2	21-3025	850
6.3	0.11	10	MES	1	21-3094	
6.3	0.15	10	MCC	3	21-3074	852
6.3	0.15	10	MCC	3	21-3033 *	
6.3	0.15	10	MES	2	21-3051	853
6.3	0.25	10	MCC	3	21-3043	
6.5	0.35	10	MES	1	21-3029	
6.5	0.3	10	MCC	4	21-3030	855
6.5	0.3	10	MES	2	21-3028	857

*Long life lamp

MINERS LAMPS

Volts	Amps	Standard Pack	Cap	Illustration	Type	Lamp Reference No.
4	0.46	25	MES	1	Vacuum	24-5106
3.6	1	25	MES	5	Krypton	24-5657
4	0.8	25	MES	5	Krypton	24-5721
4	0.9	25	MES	5	Krypton	24-5726
4	1	25	MES	5	Krypton	24-5730

Mazda LAMP CAP DIMENSIONS

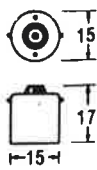
All dimensions in mm.

The dimensions and details of the caps used on the range of vehicle and miniature lamps are given below.

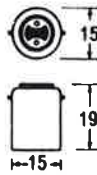
MCC
BA9s/14



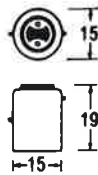
SCC
BA15s/17



SBC
BA15d/19



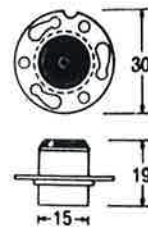
SBC Index
BAY15d/19



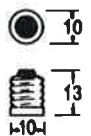
SBC Index
BAY 15d/21



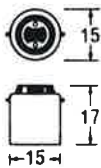
American Type
Prefocus P15s/19



MES
E10/13



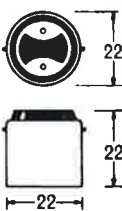
SBC
BA15d/17



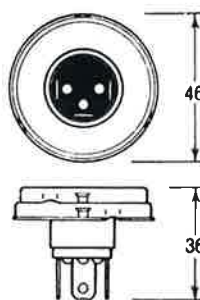
SBC
BA15d/21



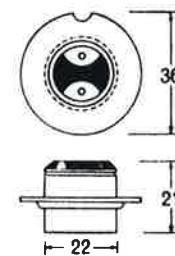
BC
B22/22



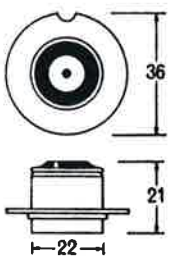
UEC
P451/41



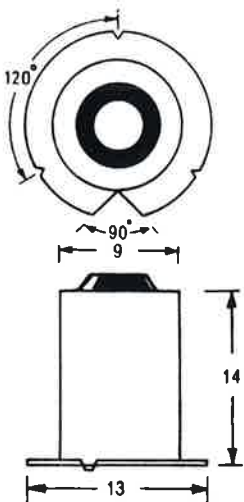
British Prefocus
P22d/21



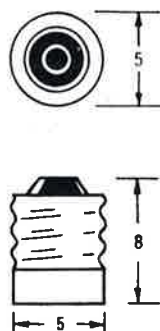
British Prefocus
P22s/21



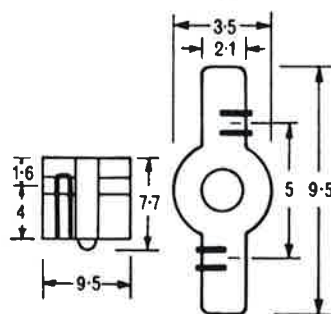
Prefocus
P13·5s



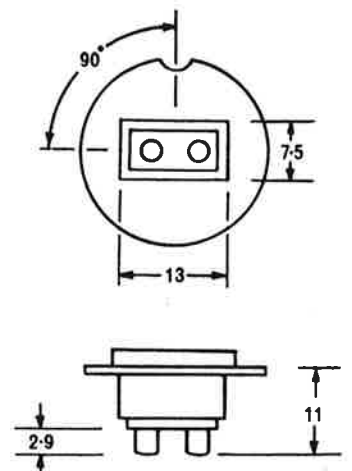
LES E5/8



Wedge base W2·1 x 9·5d



Miniature Prefocus
PK 22·5



Mazda LAMPS/CAR APPLICATION GUIDE

	Headlamps	Side Lamp	Tail Lamp	Stop Lamp	Flasher Front	Flasher Rear	Number Plate Lamp	Reverse Lamp	Ignition Warning Lamp	Fog/Pass Lamp	Fog/Pass Lamp T.H. Equivalent
ABARTH											
All models	—	380	380	380	380	382	207	—	643	—	—
A.C.											
All models	414	380	380	380	380	382	989	—	—	—	—
ALFA ROMEO											
All models	—	380	380	382	380	380	254	382	254	—	—
ALVIS											
All models — 1967 on	7002	380	380	380	380	382	989	382	987	—	—
ASTON MARTIN											
All models 1964 on	7010	222	380	380	382	382	222	382	987	—	—
AUSTIN											
All Mini series — 1960-66	414	989	380	380	382	382	989	382	987	323	450
A35 Countryman	414	989	380	380	256*1	256*1	989	—	987	—	—
All A40 series	414 *2	989	380	380	382	382	989	—	987	—	—
All A60 series	7002	989	380	380	382	382	989	382	987	323	450
A110 Westminster	414 *2	989	380	380	382	382	989	382	987	323	450
All Gipsy series	414 *2	207	380	380	380	380	989	—	987	—	—
A1100	7002	989	380	380	382	382	989	—	281	—	—
A1800	7002	501	380	380	382	382	501	—	281	—	—
Mini Moke	7002	989	380	380	382	382	989	—	987	—	—
All Mini series — 1966 on	7014	501	380	380	382	382	989	—	987	—	—
AUSTIN HEALEY											
All Sprite series	414	989	380	380	382	382	989	—	987	323	450
All 3000 series	414	380	380	380	380	380	989	—	987	323	450
AUTO BIANCHI											
All models	—	380	380	380	380	382	207	—	643	—	—
AUTO UNION											
1000 Saloon	—	—	205	383	266	383	253	—	282	—	—
All other models	—	641	205	383	266	383	253	—	282	—	—
BEDFORD											
6 & 8 cwt. Vans	414	380	—	—	382	382	—	—	—	—	—
Beagle Estate Car	414	380	—	—	382	382	—	—	—	—	—
B.M.W.											
All models	—	643	380	380	382	382	207	—	281	—	—
BORGWARD											
All models	—	641	205	317	317	317	205	—	—	—	—
BRISTOL											
All models — 1962 on	7002	380	380	380	380	382	989	382	281	323	450
BOND											
All Equipe series	7002	380	380	380	380	382	989	—	987	—	—
CADILLAC											
All models	7002	380	380	380	380	382	207	—	643	—	—
CHEVROLET											
All models	7002	380	380	380	380	382	207	—	643	—	—
CITROEN											
Bijou Saloon	356	384	384	384	384	317	951	—	—	—	—
All other models	414	989	207	382	382	382	989	382	987	—	—
DAF											
All models	—	641	264	266	266	266	266	—	282	—	—
DAIMLER											
2½-litre V-8 Sports	414 *2	989	380	380	382	382	989	—	987	323	450
All others	414	989	380	380	382	382	989	—	987	323	450
SP 250 Sports	414	989	380	380	382	382	989	—	987	—	—
Sovereign	5712 & 7002	989	380	380	382	382	989	382	—	—	—

Mazda LAMPS/CAR APPLICATION GUIDE

	Headlamps	Side Lamp	Tail Lamp	Stop Lamp	Flasher Front	Flasher Rear	Number Plate Lamp	Reverse Lamp	Ignition Warning Lamp	Fog/Pass Lamp	Fog/Pass Lamp T.H. Equivalent
FIAT											
All 500D, 600D & 1100 series	—	380	380	380	380	382	207	—	643	—	—
1300 Saloon	414	380	380	380	380	382	207	382	643	—	—
1500 Saloon	414	380	380	380	380	382	207	382	643	—	—
2300 Saloon	—	382	380	380	382	382	207	—	643	—	—
850 Saloon	—	382	380	380	382	382	207	—	643	—	—
FORD (GERMAN)											
All models	—	641	253	266	317	266	255	—	282	—	—
FORD											
Popular Saloon and de Luxe	414	380	380	380	380	382	209	—	987	—	—
Anglia Saloon/Estate	7002	380	380	380	380	382	209	—	987	—	—
Consul Classic	5702 & 5700	380	380	380	380	382	209	—	987	—	—
Capri 1961-64	5702 & 5700	380	380	380	380	382	209	—	987	—	—
Consul 375	7002	380	380	380	380	382	209	—	987	—	—
Zephyr	7002	380	380	380	380	382	209	—	987	—	—
Zephyr Estate Car	7002	380	380	380	380	382	209	—	504	—	—
Zodiac	7013 & 7012	380	380	380	380	382	209	—	504	—	—
Consul Cortina 1500cc.	7002	380	380	380	380	382	209	—	987	—	—
Cortina 1300/1600	7002	501	380	380	382	382	501	—	504	—	—
Corsair	7002	501	380	380	382	382	209	—	987	—	—
Escort series	7014	501	380	380	382	382	209	—	987	—	—
Capri 1969	7502	501	380	380	343	343	501	—	504	—	—
GOGGOMOBIL											
Regent/Mayfair series	—	643	380	380	382	382	254	—	281	—	—
Royal/Esquire series	—	643	380	380	382	267	265	—	281	—	—
HILLMAN											
Husky Utility Mk. II	414	380	380	380	380	382	989	—	281	—	—
Husky Mk. III	7002	989	380	380	382	382	989	—	281	—	—
Minx & Super Minx series	414 *3	380	380	380	380	382	989	—	281	—	—
Minx 1600 de Luxe	7002	989	380	380	382	382	989-501	—	281	—	—
Imp	7002	989	380	380	382	382	207	—	281	—	—
Hunter	—	989	380	380	382	382	501	382	—	—	—
Californian	7002	989	380	380	382	382	207	—	281	—	—
Minx (later model)	—	989	380	380	382	382	501	382	—	—	—
HUMBER											
Hawk series	414 *4	380	380	380	380	382	989	382	280	—	—
Super Snipe series	—	989	380	380	382	382	989	382	280	—	—
Sceptre	—	989	380	380	985	382	989	382	281	323	450
JAGUAR											
Mk. II series	414 *4	989	380	380	382	382	989	382	281	323	450
Mk. IX Saloon	414 *5	207	380	380	382	382	989	382	281	323	450
Mk. X Saloon 1962 on	5700 & 7002	989	380	380	380	382	989	382	281	323	450
E-Type Open 2-seater 1965 on	7010	989	380	380	382	382	989	382	281	323	450
E-Type 2-seater F/H Coupé 65 on	7010	989	380	380	382	382	989	382	281	323	450
XK-150 Sports 2-seater	414	207	380	380	382	382	989	382	281	323	450
4-2 E-Type and Saloon	—	989	380	380	382	382	989	382	281	323	450
420 & 420 G	—	989	380	380	382	382	989	382	—	—	—
JENSEN											
All models 1968 on	5702 & 448	207	380	380	382	382	989	—	987	323	450
LAGONDA											
Rapide series	414	989	380	380	382	382	989	—	280	—	—

Mazda LAMPS/CAR APPLICATION GUIDE

	Headlamps	Side Lamp	Tail Lamp	Stop Lamp	Flasher Front	Flasher Rear	Number Plate Lamp	Reverse Lamp	Ignition Warning Lamp	Fog/Pass Lamp	Fog/Pass Lamp T.H. Equivalent
LANCIA											
All models	—	380	380	380	382	382	254	—	—	—	—
MORGAN											
4/4 series	414	380	380	380	382	382	989	—	987	—	—
Plus Four Plus (TR4 engine)	7002	380	380	380	380	382	989	—	291	185	450
MERCEDES-BENZ											
180 Saloon	—	205	253	266	317	266	264	—	640	—	—
180D/190C/190D & 190 SL series	—	989	254	267	382	382	265	—	643	—	—
220 Saloon	—	205	253	266	317	266	264	—	640	—	—
220 S series	—	989	254	267	382	382	265	—	643	—	—
300 & 300SL series	—	989	254	382	382	382	265	—	643	—	—
M.G.											
Midget/M.G.A./Magnette series	414 * ⁵	989	380	380	382	382	989	—	987	323	450
M.G.B. and G.T.	7002	989	380	380	382	382	207	—	987	323	450
MORRIS											
Mini & Minor series 1960–5	414 * ⁶	989	380	380	382 * ⁷	382	989	—	987	—	—
Oxford series	7002	989	380	380	382	382	989	—	987	—	—
1100 series	7002	989	380	380	382	382	207	—	987	—	—
Mini Moke	7002	989	380	380	382	382	989	—	987	—	—
Mini Minor series – 1966 on	7014	501	380	380	382	382	989	—	987	—	—
NECKAR (NSU-FIAT)											
All models	—	380	380	380	382	382	207	—	643	—	—
PEUGEOT											
403B series	—	254	380	380	382	380	254	—	643	—	—
404 series	—	12876	380	380	382	380	207	—	643	—	—
PLYMOUTH											
All models	—	380	380	380	380	380	207	382	643	—	—
PONTIAC											
All models	—	380	207	380	380	380	207	382	643	—	—
PORSCHE											
356A series	—	641	205	383	383	383	253	317	282	—	—
356B series	—	641	205	384	384	384	205	317	282	—	—
RELIANT											
All models	7002	380	380	380	380	382	989	—	987	—	—
RENAULT											
R4/Dauphine series	423	253	384	384	317	—	205	—	641	—	—
Dauphine-Gordini/Floride series	423	641	384	384	384	384	205	—	641	—	—
RILEY											
Elf/1.5 and 4/72 series 1967 on	7014	989	380	380	382	382	989	382	987	—	—
Kestrel series	7002	989	380	380	382	382	989	382	987	—	—
ROVER											
80/100 series	414	207	380	380	382	382	989	382	987	323	450
3-Litre Saloon 1967 on	7002	989	380	380	382	382	989	382	281–987	323	450
Land-Rovers & Station Wagon series	414 * ⁸	989	380	380	382	382	989	—	207	—	—
95 & 110 series	7002	989	380	380	382	382	989	—	987	—	—
2000	5702 & 5724	989	380	380	382	382	989	382	987	—	—
SAAB											
96 series	—	989	380	380	—	382	256	—	—	—	—
SIMCA											
Aronde series	—	643	643	382	382	382	382	—	643	—	—

Mazda LAMPS/CAR APPLICATION GUIDE

	Headlamps	Side Lamp	Tail Lamp	Stop Lamp	Flasher Front	Flasher Rear	Number Plate Lamp	Reverse Lamp	Ignition Warning Lamp	Fog/Pass Lamp	Fog/Pass Lamp T.H. Equivalent
SIMCA VEDETTE											
All models	—	643	643	382	382	382	382	—	643	—	—
SINGER											
Gazelle series	414* ⁸	380	380	380	380	382	989	—	987	—	—
Vogue series	414	380	380	380	380	382	989	—	987	—	—
Gazelle Mk. 5	7002	380	380	380	380	382	989-501	—	987	—	—
Chamois and Sport	7002	380	380	380	382	382	207	—	987	—	—
Gazelle (later model)	—	989	380	380	382	382	501	382	—	—	—
SKODA											
All models	—	381-643	381	381	381	382	207	—	643	—	—
STANDARD											
All models	414* ⁹	380	380	380	380	382	989	—	987	—	—
STANDARD - TRIUMPH - LEYLAND											
New models 1360 and 1300 twin carb. - lighting as per Standard model.											
STUDEBAKER											
Lark Regal series	—	380	380	380	380	382	207	—	—	—	—
SUNBEAM											
Rapier Sports Convertible	414	380	380	380	380	382	989	382	281	323	450
Alpine	414	380	380	380	380	382	989	382	987	323	450
Alpine Mk. III and IV	7002	501	380	380	382	382	501-989	382	987	323	450
Rapier IV	7002	989	380	380	382	382	501-989	382	281	—	450
Tiger/Imp series	7002	989	380	380	382	382	501	382	987	—	450
TRIUMPH											
Herald 'S' & 1200 series	414* ¹⁰	989	380	380	382	382	989	382	987	323	450
TR3 Sports	414	989	380	380	382	382	989	382	987	323	450
TR4 series	404	989	380	380	382	382	989	—	987	323	450
Vitesse - Vitesse 2000	—	898	380	380	382	382	989	382	987	323	450
Herald 12/50	7002	989	380	380	380	382	989	382	987	323	450
2000 Saloon	—	989	380	380	382	382	989	382	—	—	450
Spitfire & GT6	7002	207	380	380	382	382	989	—	987	—	450
VANDEN PLAS PRINCESS											
3 & 4 Litre series	—	989	380	380	382	382	989	—	987	323	450
Princess 1100	7002	898	380	380	382	382	989	—	987	323	450
VAUXHALL											
Victor & VX4/90 series	414* ¹⁰	380	380	380	380	382	989	382	987	—	450
Velox & Cresta series	414* ¹⁰	989	380	380	382	382	989	382	987	—	450
Viva 1963-66	7002	380	380	380	380	382	989	382	987	—	450
Victor/Velox & Cresta 3·3 Litre series	7002	989	380	380	382	382	989	—	987	—	450
Viva range - 1966 on	410	989	380	380	382	382	989	—	987	—	450
VOLKSWAGEN											
Standard/de Luxe & Convertible series	—	641	384	384	317	317	205	—	282	—	450
Karmann-Ghia & 1500 series	—	988	205	317	327	317	253	—	282	—	450
VOLVO											
122S/122SB & P1800 series	—	384	384	384	384	317	205	—	640	—	450
121 Saloon	410	989	382	382	382	382	207	—	—	—	—
WOLSELEY											
Hornet/1500/16/60 & 6/110 series	414* ¹⁰	989	380	380	382	382	989	382	987	323	450
6/110 Saloon Mk. II	7002	989	380	380	382	382	989	382	987-281	323	450
1100	7002	989	380	380	382	382	2-989	382	—	—	450

*1 1962-5 Models Bulb No. 382

*2 1964-5 Models fitted with sealed beam headlight units type 7002

*3 1963-5 Models fitted with sealed beam headlight units type 7002

*4 1963-6 Models fitted with sealed beam headlight units type 7002

*5 1963 onward fitted with sealed beam headlight units type 7002

*6 Minor series 1963 onward fitted with sealed beam headlight units type 7002.

*7 Pre 1962 Minor Models-Bulb No. 256

*8 1964 and later models fitted with sealed beam headlight units type 7002

*9 1963-5 Ten Companion Models fitted with sealed beam headlight units type 7002

*10 Later models fitted with sealed beam headlight units type 7002

Mazda LAMP NUMBER INDEX

The full vehicle or miniature lamp reference number consists of six figures – the first two denoting the group and the last four the serial number in the group. Colloquially, these numbers are known by their last significant digits only and in many cases these last digits are also the Lucas reference numbers.

In the table the lamp serial numbers and the full lamp reference numbers are both given.

Lamp Serial No.	Lamp Reference No.	Volts	Watts	Description	Standard Pack
1	25-0001	12	24	Ordinary Headlight SCC	10
2	25-0002	12	36	Ordinary Headlight SCC	10
4	25-0004	12	24	Ordinary Headlight SBC	10
5	25-0005	12	36	Ordinary Headlight SBC	10
122	25-0122	24	24	Ordinary Headlight SBC	10
123	25-0123	24	36	Ordinary Headlight SBC	10
149	20-0149	24	5	Side SCC	10
150	20-0150	24	5	Side SBC	10
185	26-0185	12	48	Prefocus Headlight	10
205	20-0205	6	5	Side SCC	10
206	20-0206	6	6	Side SBC	10
207	20-0207	12	5	Side SCC	10
209	20-0209	12	5	Side SBC	10
228	20-0228	28	6	Side SBC	10
253	25-0253	6	6	Festoon	10
254	23-0254	12	6	Festoon	10
255	23-0255	6	3	Festoon	10
256	23-0256	12	3	Festoon	10
260	23-0260	24	6	Festoon	10
270	23-0270	12	18	Festoon	10
272	23-0272	12	10	Festoon	10
273	23-0273	12	21	Festoon	10
274	23-0274	24	10	Festoon	10
280	21-0280	12	1.5	Indicator E5/8	10
281	21-0281	12	2	Indicator, Panel, Instrument	10
312	26-0312	6	30 & 24	Prefocus Headlight	10
317	25-0317	6	21	Stop SCC	10

Mazda LAMP NUMBER INDEX

Lamp Serial No.	Lamp No.	Lamp Reference No.	Volts	Watts	Description	Standard Pack
319		25-0319	6	21	Stop SBC	10
323		26-0323	12	48	Prefocus Headlight	10
330		26-0330	24	44	Prefocus Headlight	10
331		26-0331	24	44	Prefocus Headlight	10
333		25-0333	24	24	Stop SBC	10
334		25-0334	24	5 & 21	Stop SBC Index	10
335		25-0335	12	21	Stop SBC	10
339		25-0339	24	24	Stop SCC	10
343		25-0343	12	21	Flasher, Stop, Tail, SCC	10
359		26-0359	24	44 & 38	Prefocus Headlight	10
380		25-0380	12	5 & 21	Stop SBC Index	10
381		25-0381	12	5 & 21	Stop SBC	10
382		25-0382	12	21	Stop SCC	10
384		25-0384	6	5 & 21	Stop SBC Index	10
390	829	22-0390	1.5	0.2a	Flashlight MES	10
414		26-0414	12	50 & 40	Prefocus Headlamp	10
415		26-0415	12	50 & 40	Prefocus Headlamp	10
416		26-0416	12	60 & 40	Prefocus Headlamp	10
417		26-0417	12	60 & 40	Prefocus Headlamp	10
432		26-0432	12	48	Prefocus Fog Lamp	10
434		26-0434	12	48	Prefocus Spot Lamp	10
448		26-0448	12	55	Tungsten Halogen Fog	10
450		26-0450	12	55	Prefocus Halogen Fog/Spot	10
453		26-0453	12	55	Tungsten Halogen Fog and Spot	10
454		26-0454	6	50	Tungsten Halogen Fog and Spot	10
455		26-0455	6	50	Tungsten Halogen Fog and Spot	10
457		26-0457	12	55/43	Tungsten Halogen Dipping Headlamp	10
458		26-0458	24	70	Tungsten Halogen Fog and Spot	10
459		26-0459	24	70	Tungsten Halogen Fog and Spot	10
501		20-0501	12	5	Capless Side and Tail	10
502		20-0502	24	5	Capless Side and Tail	10
503		20-0503	12	5	Reversing Lamp Capless	10
504		21-0504	12	3	Capless Indicator	10
505		21-0505	24	3	Indicator, Panel, Instrument	10
641		21-0641	6	3	Indicator MCC	10
643		21-0643	12	2.2	Indicator MCC	10
650		21-0650	24	2.8	Indicator MES	10
651		21-0651	24	2.8	Indicator MCC	10
653		23-0653	24	6	Festoon	10
654		23-0654	24	6	Festoon (supported)	10
667		25-0667	6	36	American Prefocus Head	10

Mazda LAMP NUMBER INDEX

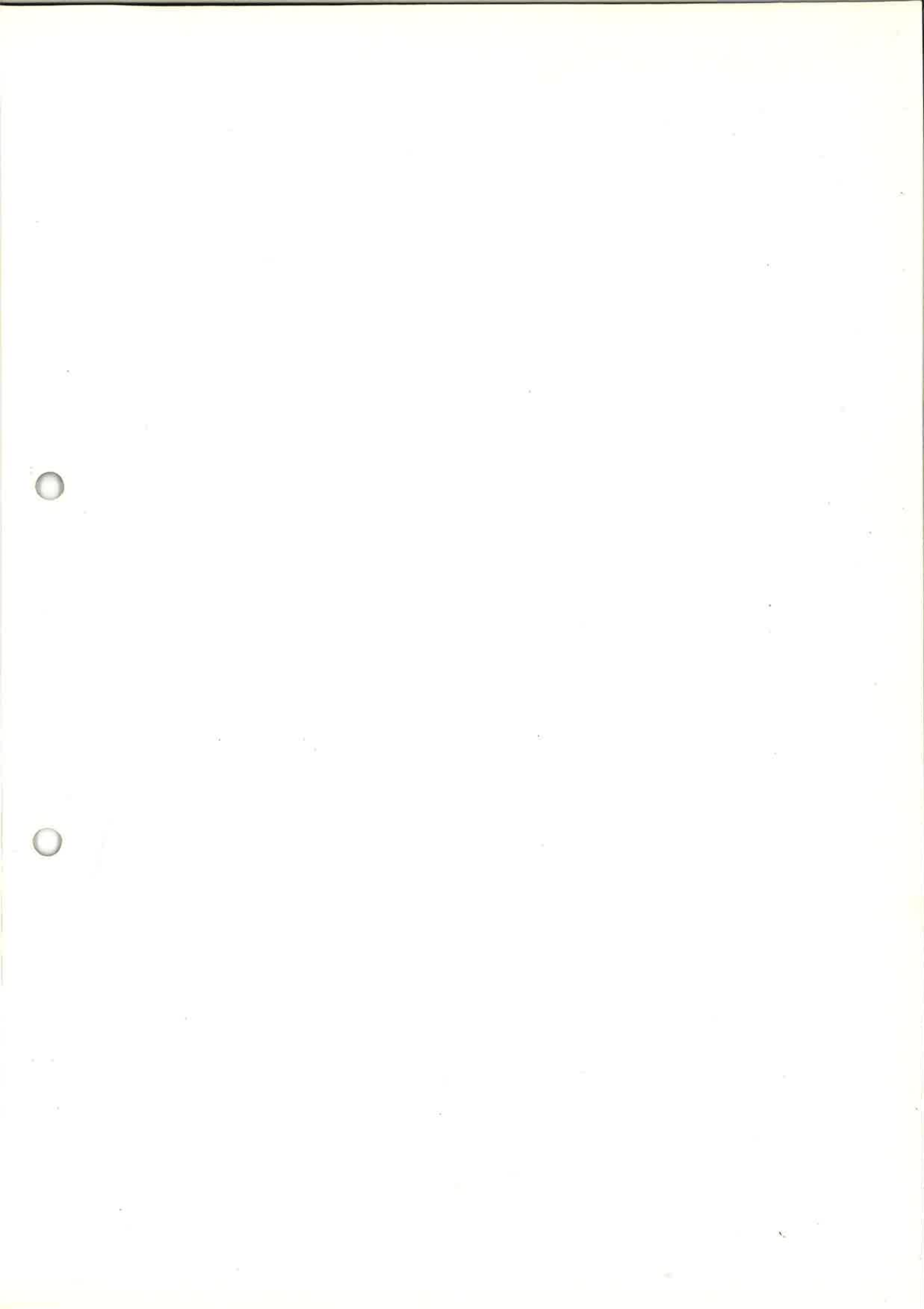
Lamp Serial No.	Lamp No.	Lamp Reference No.	Volts	Watts	Description	Standard Pack
669		26-0669	6	36	American Prefocus Head	10
670		26-0670	12	36	American Prefocus Head	10
695		21-0695	24	2.8	Indicator MES	10
950		21-0950	6	6	Indicator MES	10
951		20-0951	6	6	Side MCC	10
970		22-0970	2.5	0.2a	Flashlight MES	10
972		22-0972	2.5	0.3a	Flashlight MES	10
974		22-0974	3.5	0.15a	Flashlight MES	10
977		22-0977	3.5	0.3a	Flashlight MES	10
985		21-0985	16	3	Indicator MES	10
987		21-0987	12	2.2	Indicator MES	10
988		20-0988	6	3	Side MCC	10
989		20-0989	12	5	Side MCC	10
990		21-0990	6	3	Indicator MES	10
991		24-0991	6	0.04a	Cycle Dynamo Tail	50
993		21-0993	24	2.8	Indicator MES	10
997		24-0997	6	0.5a	Cycle Dynamo Head	50
998		24-0998	6	0.10a	Cycle Dynamo Tail	50
2003		22-2003	5.0	0.15a	Flashlight MES	50
2004	835	22-2004	4.5	0.3a	Flashlight MES	50
2008	834	22-2008	4	0.3a	Flashlight MES	50
2012	844	24-2012	6	0.25a	Cycle Dynamo Head	50
2013	845	24-2013	6	0.3a	Cycle Dynamo Head	50
2020	867	21-2020	24	2.8	Indicator, Panel, Instrument	10
2031		22-2031	2.2	0.25a	Lens-End-Flashlight	10
2046	831	22-2046	2.5	0.3a	Prefocus Flashlight	10
2048		24-2048	6	0.1a	Cycle tail	10
2049		24-2049	6	0.25a	Cycle tail	10
2053		24-2053	6	0.4a	Cycle Headlamp	10
2060		24-2060	6	0.65a	Cycle Headlamp	10
2061	832	22-2061	3.5	0.3a	Prefocus Flashlight	10
2076	836	22-2076	5.5	0.3a	Flashlight MES	10
2077	838	22-2077	5.5	0.3a	Prefocus Flashlight	10
2104		21-2104	12	1CP	Indicator Capless	10
2131		21-2131	12	1.5	Indicator Capless	10
2162	843	24-2162	6	0.2a	Cycle Head MES	10
2949		26-2949	6	50	Tungsten Halogen Fog and Spot	10
2951		26-2951	12	55	Prefocus Halogen Fog and Spot	10
3025	850	21-3025	6.2	0.3	Radio panel	10
3028	857	21-3028	6.5	0.3	Radio panel	10
3029		21-3029	6.5	0.35	Radio panel	10

Mazda LAMP NUMBER INDEX

Lamp Serial No.	Lamp No.	Lamp Reference No.	Volts	Watts	Description	Standard Pack
3030	855	21-3030	6.5	0.3	Radio panel	10
3033		21-3033	6.3	0.15	Radio panel	10
3043		21-3043	6.3	0.25	Radio panel	10
3051	853	21-3051	6.3	0.15	Radio panel	10
3074	852	21-3074	6.3	0.15	Radio panel	10
3094		21-3094	6.3	0.11	Radio panel	10
3001		24-3001	12	0.117	Telephone visual	50
3015		24-3015	36	0.045	Telephone visual	50
3035		24-3035	50	0.107	Telephone visual	50
3123	804	27-3123	12	12	Bus Interior BC	10
3125		27-3125	6	0.04a	Telephone Visual	50
3128	811	27-3128	24	12	Bus Interior BC	10
3129	812	27-3129	24	12	Bus Interior SBC	10
3131	816	27-3131	24	12	Bus Interior BC	10
3132	817	27-3132	24	12	Bus Interior SBC	10
3165		24-3165	17	0.045	Telephone visual	50
3171		24-3171	24	0.10	Telephone visual	50
3172		24-3172	24	0.055	Telephone visual	50
3182	822	27-3182	24	20	Bus Interior SBC	10
3184	821	27-3184	24	20	Bus Interior BC	10
3204	809	27-3204	12	24	Bus Interior BC	10
3205	810	27-3205	12	24	Bus Interior SBC	10
3217		27-3217	40	36	Bus Interior BC	10
3461		24-3461	60	0.06	Telephone visual	50
3551		24-3551	24	0.1	Telewriter	50
3552		24-3552	24	0.1	Telewriter	50
3626		24-3626	50	0.05	Telewriter	50
3627		24-3627	50	0.05	Telewriter	50
5106		24-5106	4	0.46	Miners	25
5657		24-5657	3.6	1	Miners	25
5700		60-5700	12	37.5	Sealed Beam Head	10
5702		60-5702	12	50/37.5	Sealed Beam Head	10
5704		60-5704	12	50	Sealed Beam Spot	10
5705		60-5705	12	50	Sealed Beam Spot	10
5706		60-5706	12	50	Sealed Beam Fog	10
5709		60-5709	12	50	Sealed Beam Fog	10
5712		60-5712	12	50	Sealed Beam Head	10
5713		60-5713	6	40	Sealed Beam Spot	10
5714		60-5714	6	40	Sealed Beam Fog	10
5717		60-5717	12	100	Sealed Beam Headlamp	10
5718		60-5718	12	50/37.5	Sealed Beam Headlamp	10
5720		60-5720	12	55	Tungsten Halogen Fog	10

Mazda LAMP NUMBER INDEX

Lamp Serial No.	Lamp Reference No.	Volts	Watts	Description	Standard Pack
5721	60-5721	12	55	Tungsten Halogen Spot	10
5721	24-5721	4	0·8	Miners	25
5726	24-5726	4	0·9	Miners	25
5730	24-5730	4	1	Miners	25
6624	28-6624	28	2·8	Aircraft Panel	10
6680	28-6680	28	11	Reading Lamp	10
7002	60-7002	12	60/45	Sealed Beam Head	10
7005	60-7005	12	50/40	Sealed Beam Head	10
7010	60-7010	12	75/50	Sealed Beam Head	10
7012	60-7012	12	75	Sealed Beam Head	10
7013	60-7013	12	50/60	Sealed Beam Head	10
7014	60-7014	12	60/45	Sealed Beam Head	10
7015	85-7015	6	10	Min. Th.	10
7016	85-7016	6	20	Min. Th.	10
7502	60-7502	12	60/60	Sealed Beam Head	10



Thorn Lighting Limited

A member of the Thorn Group

REGIONAL HEADQUARTERS

London Region

11 Avon Trading Estate, Avonmore Road,
London, W.14. Telephone: 01-603 3377
Telex: Thornlite Hammersmith 28198

Eastern Region

Angel Road Works, 402 Angel Road,
Edmonton, London, N.18.
Telephone: 01-807 3050
Telex: Thornlite Edmonton 23157

South East Region

Thorn Industrial Estate, Homesdale Rd.,
Bromley, BR1 2QP, Kent.
Telephone: 01-460 9966
Telex: Thornlite Bromley 25823

South West Region

Thorn House, Penarth Road, Cardiff
CF1 7YP. Telephone: 0222-31491 3, 45621
Telex: Thornlite Cardiff 49334

Midlands Region

24 Sheepcote Street, Birmingham 15.
Telephone: 021-643 9988
Telex: Thornlite Birmingham 33235

North West Region

Thorn House, 2 Claytonbrook Road,
Clayton, Manchester M11 1BP.
Telephone: 061-223 1322
Telex: Thornlite Manchester 668642

North East Region

Thorn House, 3 Ring Road, Lower Wortley,
Leeds 12. Telephone: 0532-636321
Telex: Thornlite Leeds 55110

Scotland

Thorn House, Lawmoor Street,
Glasgow, C.5. Telephone: 041-429 5151,
5671 Telex: Thornlite Glasgow 77630

Northern Ireland

10 Severn Street, Belfast BT4 1FB.
Telephone: 0232-56004/5, 51477/9
Telex: Thornlite Belfast 74695

Head Office and Showroom:

Thorn House, Upper Saint Martin's Lane,
London W.C.2. Telephone: 01-836 2444
Telex: Thorn Ldn 21521