

**Lightstream Luminaires
Track and Transformers**

Applications

A range of low voltage and mains voltage luminaires operating 12 volt Lightstream lamps for accent lighting purposes. For interior shop display lighting, jewellery, fashion, general merchandise, exhibition stands, hotels, public buildings, museums, etc.



COUNTRY OF ORIGIN: Made in the United Kingdom.

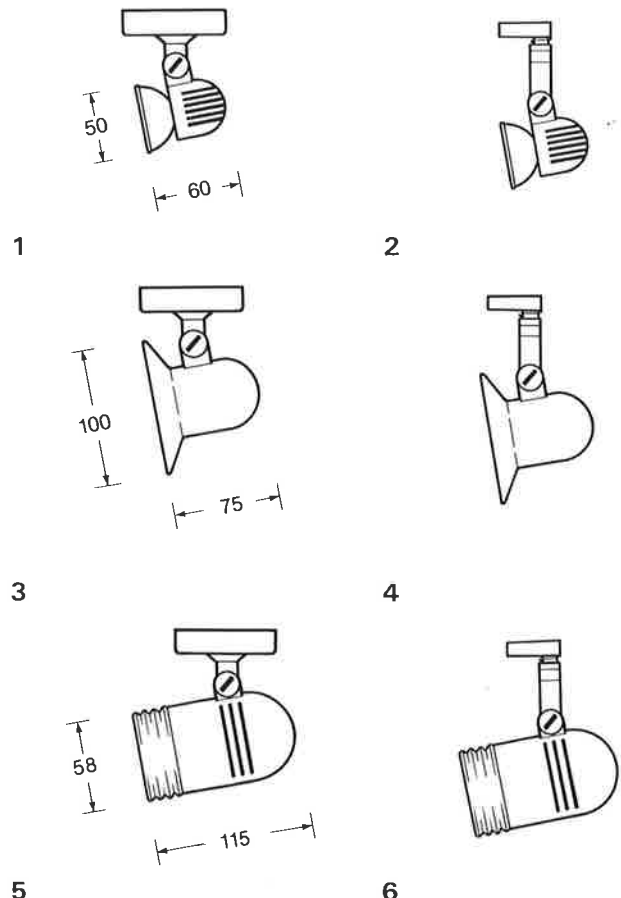
THORN EMI reserve the right to alter the specification without prior notice or public announcement.

USERS OBLIGATIONS

Every care is taken by the Company in the design and construction of its products to ensure that as far as is reasonably practicable, the products are safe and without risk to health when they are properly used. The Health and Safety at Work Act however, imposes upon users of the Company's products an obligation to ensure that all personnel involved in the installation, handling, use or disposal of these products are acquainted with the information provided by the Company and are made fully aware of any precautions that need to be taken. As appropriate and necessary, the relevant parts of these guidance notes should be made available, together with such additional information as may be required, to any companies and persons engaged in installing and servicing the products of THORN EMI Lighting Ltd.

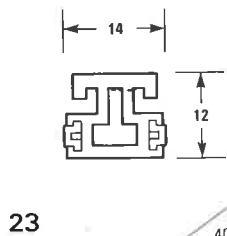
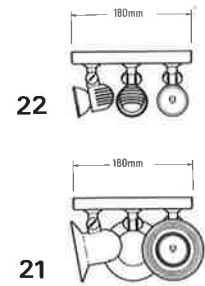
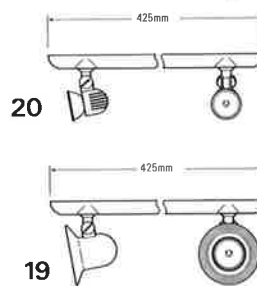
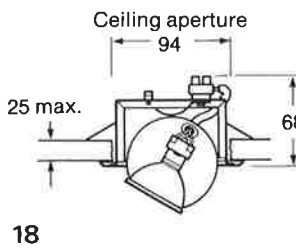
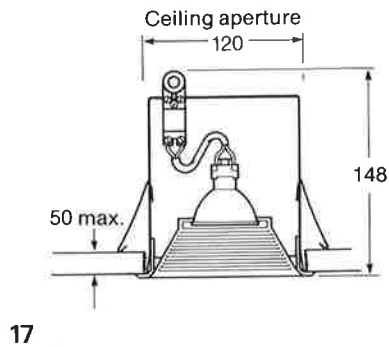
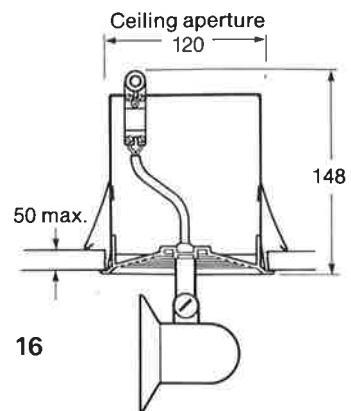
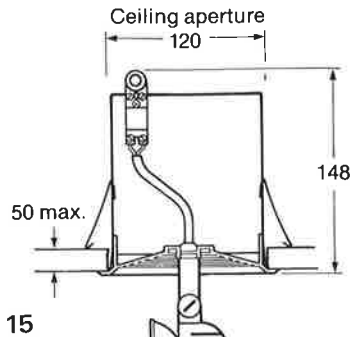
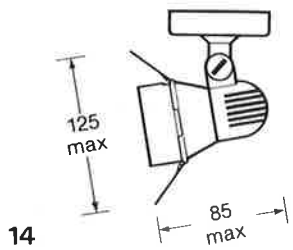
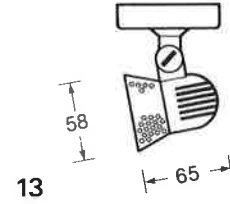
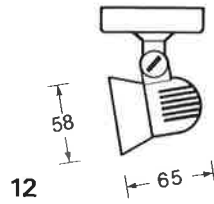
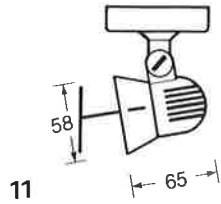
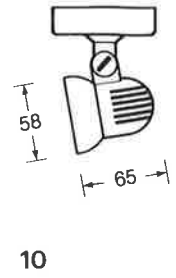
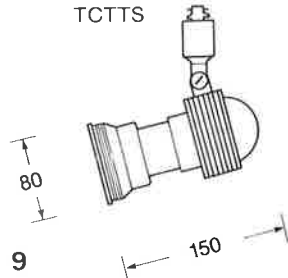
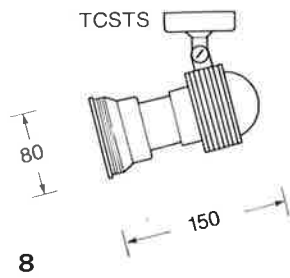
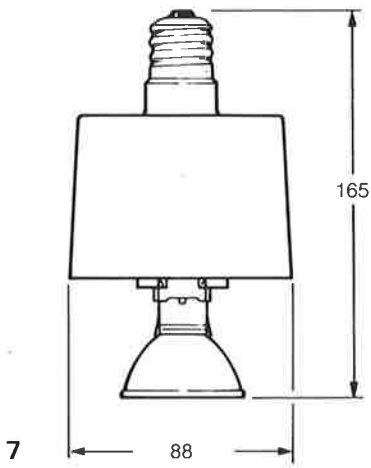
SAFETY

The installation of our products should only be carried out by a competent electrician in accordance with the instructions supplied with the equipment. The electricity supply should be switched off before any electrical work is undertaken. Observe the correct polarity when making connections to the mains supply.



All dimensions in mm

Downlight adaptor TLVA



REMOVABLE END CAP

TRACK ADAPTOR (FIT POST END FIRST)

1200mm overall length

400mm

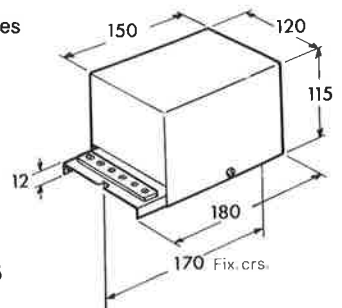
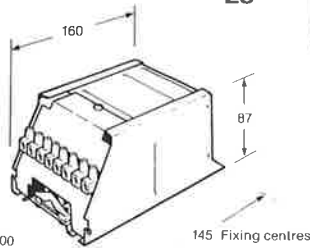
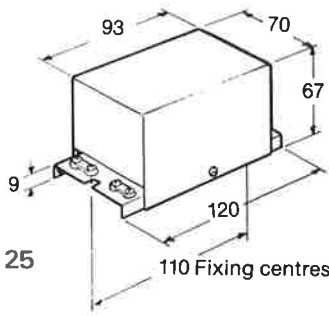
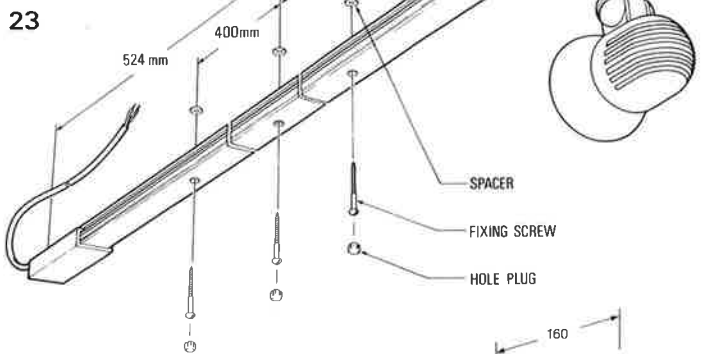
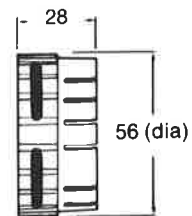
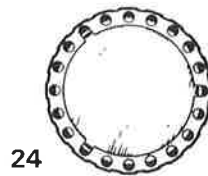
400mm

524mm

SPACER

FIXING SCREW

HOLE PLUG



All dimensions in mm

27

26

Cat. No.	Description	Lamp Holder	Lamp Choice	Termination	Voltage*	Maximum Current	Transformer Required	Mounting Centres
Mini PAR TQSM50GM TQSM50AG	Body: Diecast Aluminium Components: Polycarbonate Finish: Polyester	GL1228	50W	Flying Lead	12V	4.2A	TQPS50 TQPS75	Besa Box 52mm
TQTM50GM TQTM50AG			35W	Track Box				TQPS210 TQPS225
Flare Spot TQSF50GM TQSF50AG	Body: Diecast Aluminium Components: Polycarbonate Finish: Polyester	GL1228	50W	Flying Lead	12V	4.2A	TQPS50 TQPS75	Besa Box 52mm
TQTF50GM TQTF50AG			35W	Track Box				TQPS210 TQPS225
Bullet TQSB50GM TQSB50AG	Body: Poca with Aluminium Cowl Components: Polycarbonate Finish: Moulded Lamp: M50	GL1228	50W	Flying Lead	12V	4.2A	TQPS50 TQPS75	Besa Box 52mm
TQTB50GM TQTB50AG			35W	Track Box				TQPS210 TQPS225
Downlight Adaptor TLVA50	Body: PBT Moulding Integral 50W (7 watts Transformer loss = 57W Total), E27 Cap Lamp: M50	GL1228	50W 35W	ES Cap	240V	0.24A	Integral	N/A
Camera Spot TCSTS50GM TCSTS50AG	Body: Diecast Aluminium Components: Polycarbonate Finish: Polyester Lamp: M50	GL1228	50W	Surface Plate	240V	0.24A	Integral	Besa Box 52mm
TCTTS50GM TCTTS50AG			35W	Master Track Mounted				Refer Track
Mini PAR Derivatives TQCS TQCL TQCN TQML TQBL	Spun/Pressed Aluminium Attachments in Ashgrey or Gunmetal Finish	N/A	N/A	N/A	N/A	N/A	N/A	N/A

Cat. No.	Attachments	Weight (kg)	Protection Classification	Standards Compliance	Diagram No.	Colour
Mini PAR TQSM50GM TQSM50AG	Can take filters or all attachments	0.15	Class III	Designed to BS4533	1	Gunmetal Ashgrey
TQTM50GM TQTM50AG					Do not use attachments and filters together	Safety Mark applied for
Flare Spot TQSF50GM TQSF50AG	Will accept all filters	0.25	Class III	Designed to BS4533	3	Gunmetal Ashgrey
TQTF50GM TQTF50AG					Safety Mark applied for	4
Bullet TQSB50GM TQSB50AG	Will not accept filters (unless the cowl is removed)	0.2	Class III	Designed to BS4533	5	Gunmetal Ashgrey
TQTB50GM TQTB50AG					Safety Mark applied for	6
Downlight Adaptor TLVA50	Will not accept filters	1.0	Class II	Designed to BS4533 102.6 Safety Marked	7	Black
Camera Spot TCSTS50GM TCSTS50AG	Will accept filters	1.5	Class I	Designed to BS4533 102.6	8	Gunmetal Ashgrey
TCTTS50GM TCTTS50AG					Safety Mark applied for	9
Mini PAR Derivatives TQCS TQCL TQCN TQML TQBL	Cannot be used with filters	0.05	N/A	N/A	10	Gunmetal or Ashgrey
					11	Gunmetal or Ashgrey
					12	Gunmetal or Ashgrey
					13	Gunmetal or Ashgrey
					14	Gunmetal or Ashgrey

*Only supply Safety Extra Low Voltage (SELV) on 12V Luminaires

Cat. No.	Description	Lamp Holder	Lamp Choice	Termination	Voltage*	Maximum Current	Transformer Required	Mounting Centres
Recessed Luminaires								
TQRM50GM	Body: Diecast Aluminium		50W				{ TQPS50 TQPS75 TQPS210 TQPS225	Ceiling cut out 120mm
TQRF50GM	Components: Metal Pressings and Polycarbonate Mouldings	GL1228	35W	Terminal Block	12V	4.2A		
TQD50			20W					
Eyeball								
TQE50	Spun Aluminium Sphere with Pressed Metal Components	GL1228	50W 35W 20W	Terminal Block	12V	4.2A	{ TQPS50 TQPS75 TQPS210 TQPS225	Ceiling cut out 94mm
Ceiling Light & Lightbar								
TQSF250	Body: Diecast Aluminium with Injection Moulded Polycarbonate Lightbar or Ceiling Plate	GL1228	50W	Terminal Block	12V	8.4A	{ TQPS50 TQPS75	450mm
TQSM250			35W					
TQSF350			20W			12.6A	{ TQPS210 TQPS225	50mm
TQSM350			20W					
Track								
TQT1200	Track: Extruded Plastic Conductors Rolled, Plated Copper	N/A	N/A	1.5m 2.5mm ² twin core flex	12V	20A	{ TQPS50 TQPS75 TQPS210 TQPS225	400mm
Filters								
TF500 Series	Filter: Injection Moulded Ring with Dichroic Glass colour filter	N/A	50mm 50W 35W 20W	Clip onto lamp rim	N/A	N/A	N/A	N/A

Cat. No.	Attachments	Weight (kg)	Protection Classification	Standards Compliance	Diagram No.	Colour
Recessed Luminaires						
TQRM50GM	Filters or attachments (Mini PAR only) can be used, but not together	0.4	Class III	{ Designed to BS4533 Safety Mark applied for	15	Gunmetal/White
TQRF50GM		0.5			16	Gunmetal/White
TQD50		0.4			17	Black/White
Eyeball						
TQE50	No filters or attachments should be used	0.5	Class III	{ Designed to BS4533 Safety Mark applied for	18	White
Ceiling Light & Lightbar						
TQSF250	Can be used with filters or attachments but not both	0.7	Class III	{ Designed to BS4533 Safety Mark applied for	19	Ashgrey
TQSM250		0.5			20	Ashgrey
TQSF350		1.2			21	Ashgrey
TQSM350		0.9			22	Ashgrey
Track						
TQT1200	N/A	0.5	Class III	BSI approval applied for	23	Ashgrey
Filters						
TF500 Series	N/A	0.05	N/A	N/A	24	Black

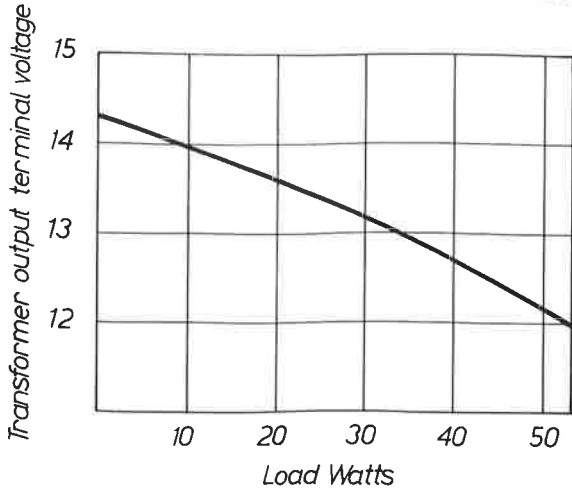
*Only supply Safety Extra Low Voltage (SELV) on 12V Luminaires

Cat. No.	Description	Termination	Voltage	Mounting Centres	Maximum Wattage	Minimum Rec Wattage	Weight (kg)	Protection Classification
Transformers**								
TQPS50	Transformer: interleaved varnish impregnated high quality steel laminations on isolating injection moulded bobbin Housing: pressed finished steel, featuring easy fixture arrangements. All models safety extra low voltage (SELV)	Mains voltage and low voltage terminal block	240 to 12	110mm	50	20	0.9	Class I – Earthed Metalwork Safety extra low voltage (SELV)
TQPS75			110mm	75	20	1.1		
TQPS210			170mm	210	75	4.0		
TQPS225			145mm	225	100	2.9		

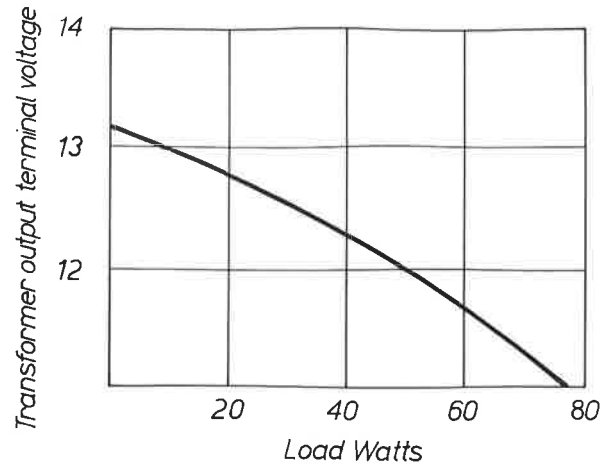
Cat. No.	Standards Compliance	Losses	Regulation Graph	Power Factor	Diagram No.	Colour	Fuse
Transformers**							
TQPS50	Approval to	10	A	unity	25	Black	Thermal (non replaceable)
TQPS75	BSI and	12	B	unity	25	White	Thermal (non replaceable)
TQPS210	IEC 742	20	C	unity	26	Black	Cartridge (anti-surge 1.6 amp)
TQPS225	applied for	20	D	unity	27	White	Cartridge (standard 2 amp)

**See reprint of transformer article from 'Electrical Contractor', October 1984.

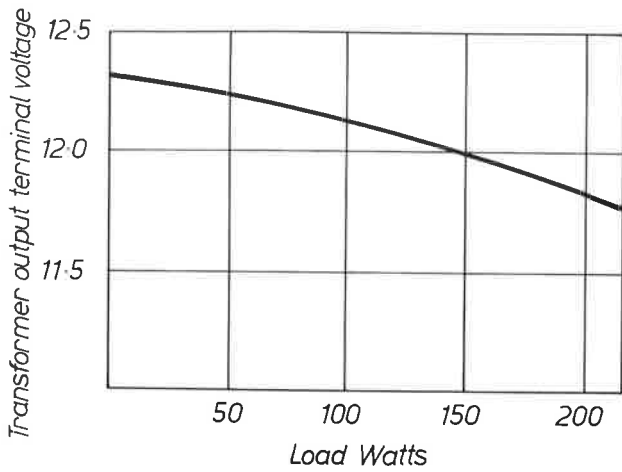
REGULATION GRAPH OF TQPS 50 TRANSFORMER



REGULATION GRAPH OF TQPS 75 TRANSFORMER



REGULATION GRAPH OF TQPS 210 TRANSFORMER



REGULATION GRAPH OF TQPS 225 TRANSFORMER

