

**PROVISIONAL**

**CID 1000W Compact Source Discharge Lamp  
Hot Restrike**

Specification No.: 99-0422

**Identification**

**Applications**

For use with colour film balanced for light of 5500°K and all monochrome film stock. Suitable for monochrome or colour television productions.

Designed for use in Fresnal lens luminaires and ellipsoidal spotlights. Also for theatre and allied applications where suitable lighting fittings can make good use of the high intensity, compact light source.

**Performance**

**Electrical Characteristics**

Supply Voltage	220/240 AC
Arc Voltage	70-85
Nominal Arc Current	15 amp
Run-up Time	1 minute
Re-start Time	Instantaneous

**Luminous Characteristics**

Arc Length	14 ± 1.0
Lumen Output	70,000
Lumen Maintenance	90%
Correlated Colour Temperature	5,500 ± 400°K
General Colour Rendering	
Index Ra	85
Rated Life	500 hrs
Base	G38 Bipost
Operating Position	Any

**Operation and Maintenance**

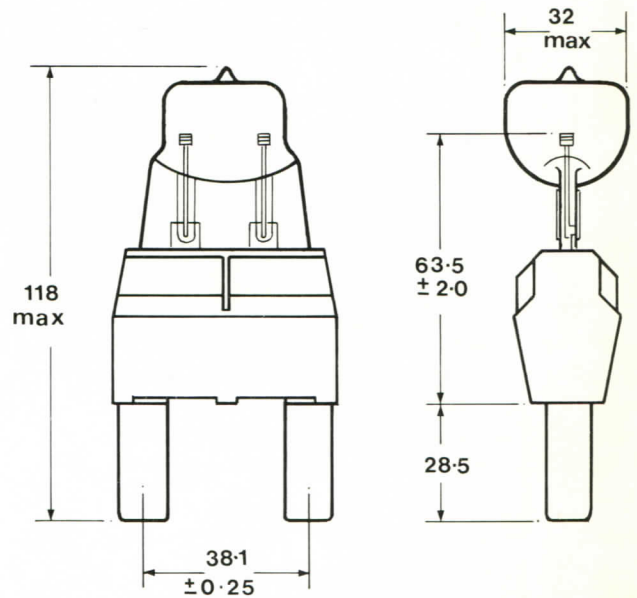
**Safety**

**Before Use**

Always isolate the equipment from the electricity supply before inserting or replacing a lamp.

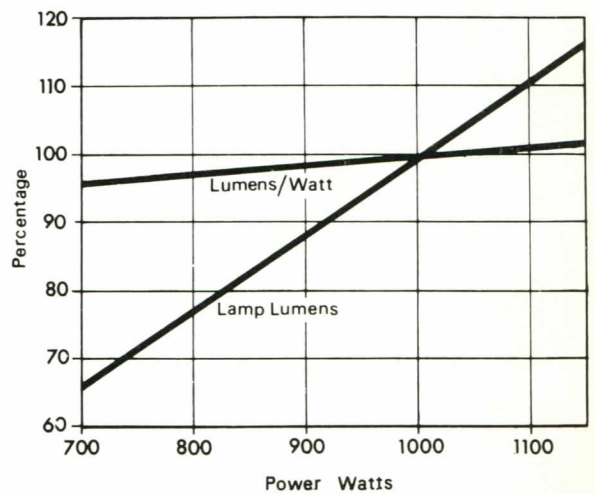
Check that the replacement lamp is the correct type for the application, wattage and cap for use in the circuit and with control gear.

Ensure that the lamp is correctly located in the lampholder and the quartz envelope is not scratched during insertion.

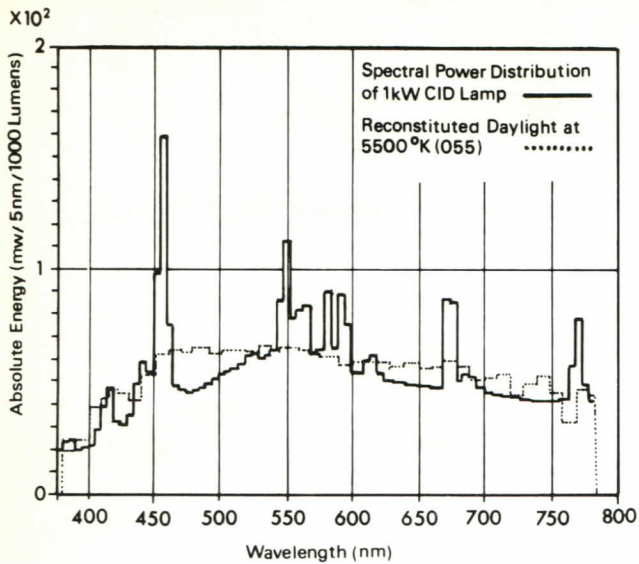


All dimensions in mm

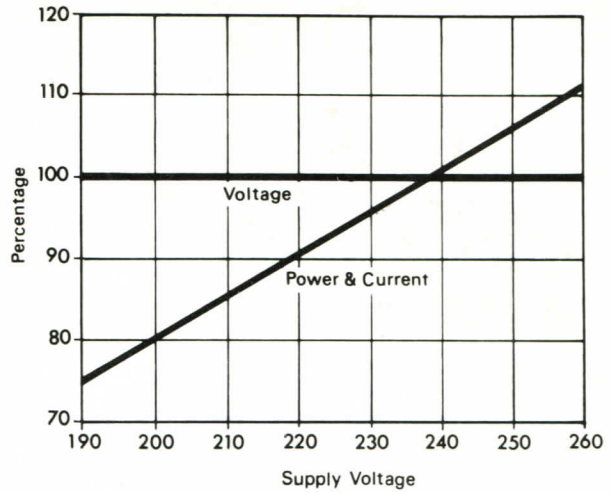
**DEPENDENCE OF OPTICAL CHARACTERISTICS OF LAMP ON POWER DISSIPATED**



**TYPICAL SPECTRAL POWER HISTOGRAM**



**DEPENDENCE OF ELECTRICAL CHARACTERISTICS OF LAMP SUPPLY VOLTAGE**



**During Use**

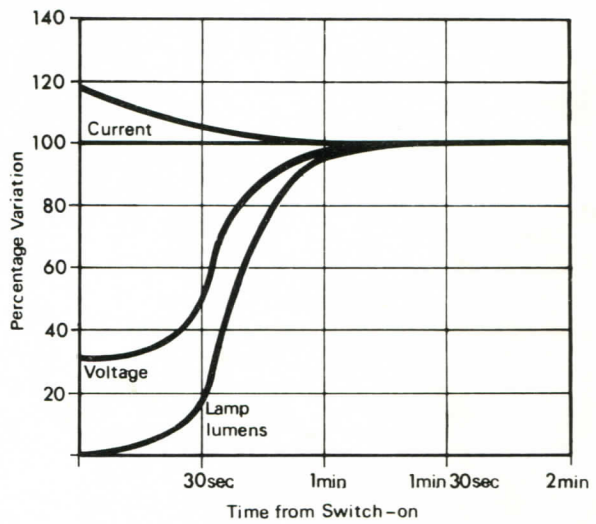
High pressure mercury discharge lamps with quartz envelopes without glass outer bulbs emit short wave ultra violet radiation which is readily transmitted through quartz. This radiation is harmful to eyes and skin, operators must be shielded from direct or reflected short wave ultra violet radiation.

Certain metal halide lamps have operating restrictions, details of which are specified with the lamps.

**Disposal**

These lamps should be broken in a container. Precautions must be taken against flying glass or other fragments. The operation should be carried out outdoors (or in a well ventilated area). Where applicable, the debris of large quantities of lamps must be disposed of in accordance with the rules of the Local Authority.

**TRANSIENT CHARACTERISTICS OF LAMP FROM SWITCH-ON**



Thorn Lighting reserve the right to alter the specification without prior notice or public announcement.