

LAMP DATA SHEET

General Description

Valve Base Projector lamps consist essentially of a coiled filament enclosed in a tubular glass bulb operating in an atmosphere of inert gas, mounted on a 4-pin valve base (G17Q). Filament types employed are coiled coil flat grid and single coil biplane.

General Applications

For use in still and cine film projectors.

Operating Position

All lamps listed on this data sheet are designed to operate in the vertical cap down position.

Operation in positions deviating from the vertical may give rise to bulb distortion, filament movement etc.

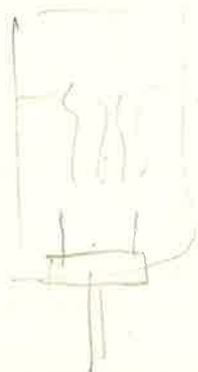
Because of the high efficiency at which these lamps are designed, it is essential that the voltage of the lamp corresponds with that of the supply voltage in order that the appropriate light output and life are realised.

Cooling

The 150W rating does not normally require forced cooling.

The 300W and 500W require forced cooling so that the bulb temperature does not exceed 450°C.

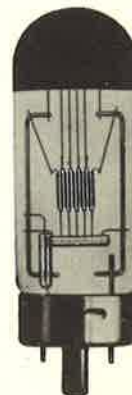
The 1000W and 1200W ratings require forced cooling so that the bulb temperature does not exceed 550°C.



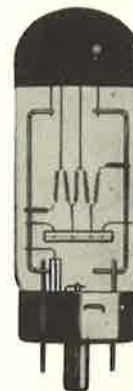
TUNGSTEN FILAMENT A.1 PROJECTORS VALVE BASE



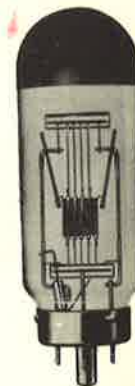
150W VB A1/182



500W VB A1/180



300W VB A1/178



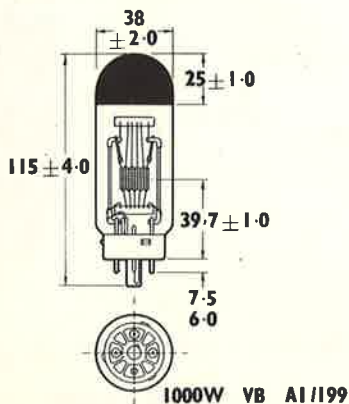
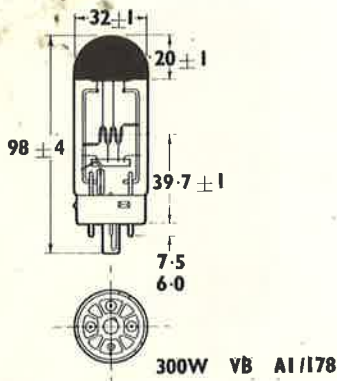
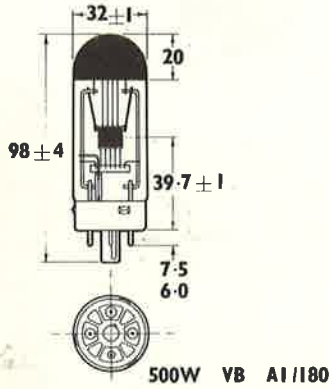
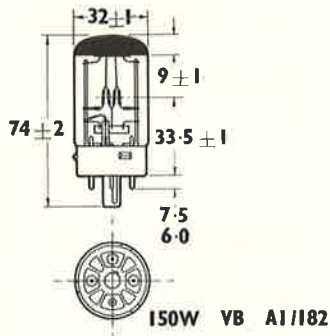
1000W VB A1/199

A.E.I. Lamp and Lighting Co. Ltd.
Melton Road, Leicester

Printed in Great Britain by Albert Frost & Sons, Ltd., of Rugby, England

80-101

February 1963



Ref. No.	Watts	Volts	Dimensions (millimetres)		L. C. L.	Nominal Lumens	Objective Life (hours)	Filament Formation	Base
			Dia.	O/L					
A1/182	150	210, 220, 230, 240, 250	32 ± 1	76 max.	33.5 ± 1	2,400	25	Flat Grid 4 Section CC.	G17Q
A1/178	300	220, 230, 240, 250	32 ± 1	98 ± 4	39.7 ± 1	6,100	25	Flat Grid 5 Section CC.	G17Q
A1/180	500	220, 230, 240, 250	32 ± 1	98 ± 4	39.7 ± 1	11,300	25	Biplane 10 Section	G17Q
A1/199	1000	115 220, 230, 240, 250	38 ± 2	115 ± 4	39.7 ± 1	27,600 26,400	25	Biplane 6 Section (LV) 10 Section (HV)	G17Q
A1/200	1200	115	38 ± 2	115 ± 4	39.7 ± 1	37,000	10	Biplane 8 Section	G17Q

* Can be supplied in 28.5 mm diameter bulb.

The approximate lumen values quoted above are for clear lamps. The top obscuration has no effect on the candle power measured horizontally when the lamp is operated in the vertical position.

Note: The light output values quoted are those applicable at time of issue and are liable to alteration without notice.