



A.E.I. LAMP & LIGHTING CO. LTD

SfB (64)

UDC 621.32

MERCURY DISCHARGE TYPE MBTL

GENERAL DESCRIPTION

The 160 watt MBTL lamp incorporates two light sources.

- a) A mercury vapour discharge operating at a pressure of 8-10 atmospheres in a quartz arc tube.
- b) A coiled tungsten filament mounted coaxial to the arc tube and connected in series with it.

The light sources are enclosed in a soft glass outer bulb, the interior surface of which has a diffuse coating.

This lamp must only be operated on a.c. supplies.

ADVANTAGES

- 1 No control gear required — minimum capital expense.
- 2 Interchangeable with similar size tungsten filament lamp.
- 3 Gives higher lumen output than equivalent tungsten filament lamp.
- 4 Average life six times that of normal filament lamp.

GENERAL APPLICATIONS

Commercial, Industrial and Streetlighting.

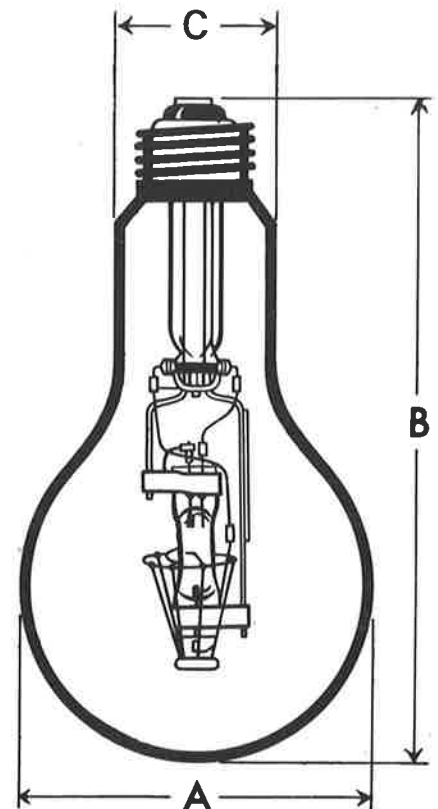
This lamp is particularly suitable as a replacement for a tungsten filament lamp where access is difficult and/or labour charges are high.

Standard Ratings

Watts	Volts	Cap	Type	Bulb	Rated Life Hrs	AEI L & L Reference No
160	220/230	ES	MBTL	Pear shape	6000	91-4071
	240/250	BC				91-4076
	240/250	ES				91-4077

Dimensions (mm)

Watts	Cap	Diameter A	O.A.L. B	Max Neck Dia C
160	BC (B22/25×26)	90±1	173.5±5.5	42.5
	ES E27/27	90±1	178 ± 5.5	42.5



Electrical Characteristics

Watts	Volts	Lamp Current (amps)		Power Factor
		Starting	Operating	
160	220/230	1.0	0.70	0.96
	240/250	0.9	0.65	0.96

LUMEN OUTPUT

Initial 2900

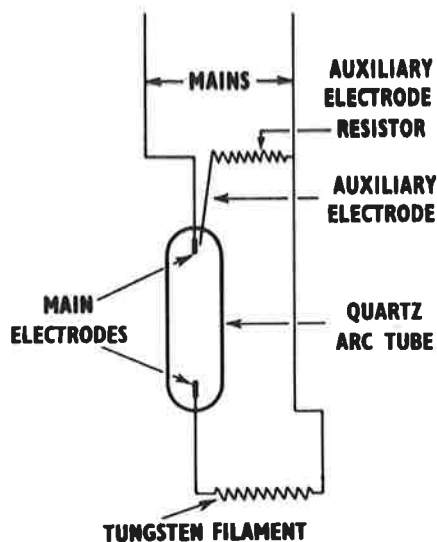
Average through Life 2560

OPERATING CONDITIONS

The normal operating position is vertical cap up. Where the supply regulation is good lamps may be operated in any position.

Run up time 3-5 minutes.

In the event of the lamp being extinguished by an interruption in the supply, a short delay will occur while the lamp cools down, restrikes and runs up again.



CIRCUIT DIAGRAM OF MBTL LAMP

The company reserve the right to change without notice the design or the specification of equipment included in this Publication and supplied by them.