



A.E.I. LAMP & LIGHTING CO. LTD

SfB (63)

UDC 621.32

MERCURY DISCHARGE TYPE MBTF/U

GENERAL DESCRIPTION

The MBTF/U lamps incorporate two light sources.

- a) mercury vapour discharge operating at a pressure of 8-10 atmospheres in a quartz arc tube.
- b) A coiled tungsten filament mounted coaxial to the arc tube and connected in series with it.

The light sources are enclosed in a soft glass outer bulb, the interior surface of which has a fluorescent coating.

These lamps must only be operated on a.c. supplies.

ADVANTAGES

- 1 No control gear required – minimum capital expense.
- 2 Interchangeable with similar size tungsten filament lamp.
- 3 Gives higher lumen output than equivalent tungsten filament lamp.
- 4 Average life six times that of normal filament lamp.

GENERAL APPLICATIONS

Commercial, Industrial and Streetlighting.

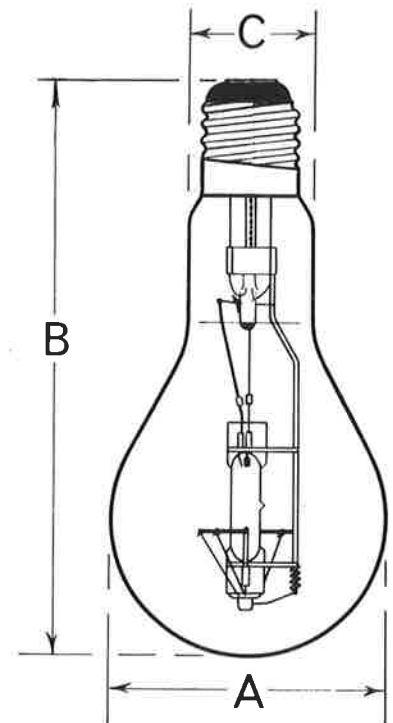
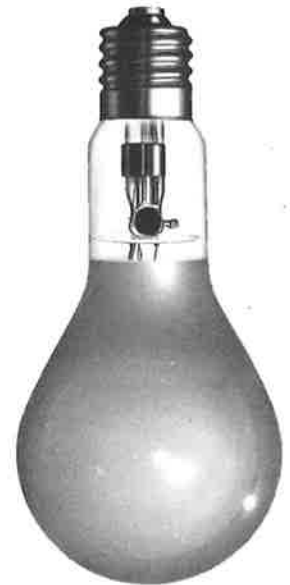
These lamps are particularly suitable as replacements for tungsten filament lamps where access is difficult and/or labour charges are high.

STANDARD RATINGS

Watts	Volts	Cap	Type	Bulb	Rated Life Hrs	AEI L & L Reference No
250	220/230 240/250	GES	MBTF/U	Pear shape	6000	91-4618
500	220/230 240/250					91-4620 91-4668 91-4670

DIMENSIONS (mm)

Watts	Cap	Diameter A	O.A.L. B	Max Neck Dia C
250	GES (E40/45)	110±1.5	233±7	51
500		130±1.5	267±8	53



ELECTRICAL CHARACTERISTICS

Watts	Volts	Lamp Current (amps)		Power Factor
		Starting	Operating	
250	220/230	1.35	1.1	0.96
	240/250	1.25	1.05	0.96
500	220/230	2.7	2.2	0.96
	240/250	2.5	2.1	0.96

LUMEN OUTPUT

250W Initial 5500
Average through life 4840

500W Initial 12,500
Average through life 11,000

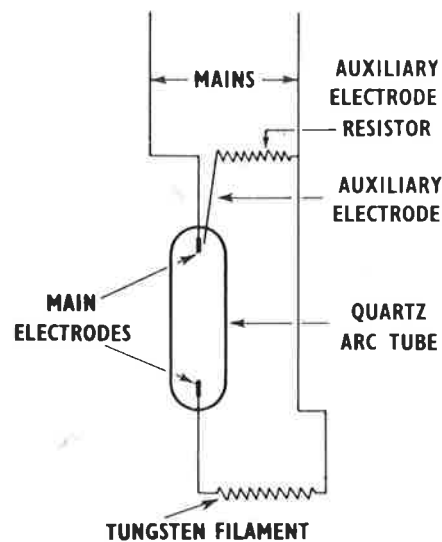
RED RATIO 10%

OPERATING CONDITIONS

The normal operating position is vertical cap up. Where the supply regulation is good lamps may be operated in any position.

Run up time 3-5 minutes.

In the event of the lamp being extinguished by an interruption in the supply, a short delay will occur while the lamp cools down, restrikes and runs up again.



CIRCUIT DIAGRAM OF MBTF/U LAMP

The company reserve the right to change without notice the design or the specification of equipment included in this Publication and supplied by them.