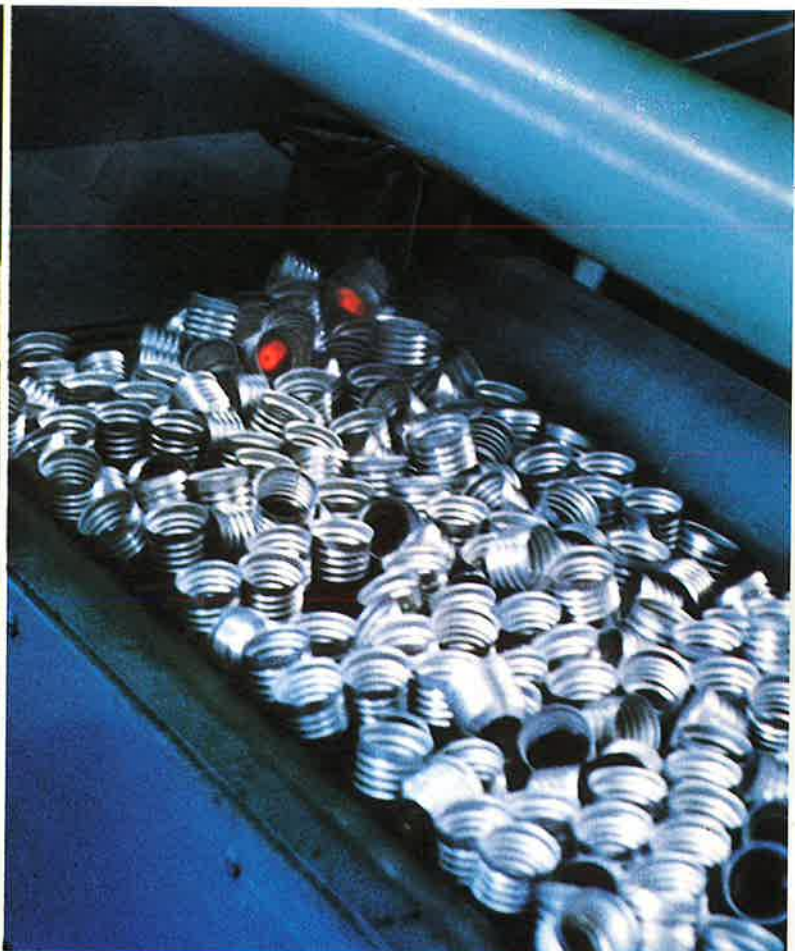


Lamp Caps

Lamp Cap types

OSRAM

Lamp Caps



Lamp Caps

Summary

Caps

E 27/27	P 45t-41	PK 22s
G 13/10 x 35	Pr45-41	P 14,5s
G 13/10 x 24	G 16t	BA 20s
P 43t-38	BA 15s	BA 20d
Pr43-38	BA 15d	B 15d

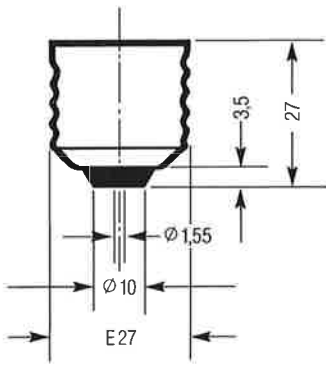
The cap dimensions shown are our standard dimensions.
Deviations are possible. If desired, the prefocus rings can be stamped.

Lamp Caps

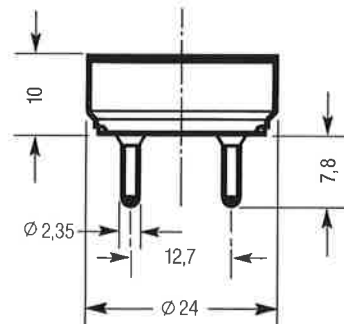
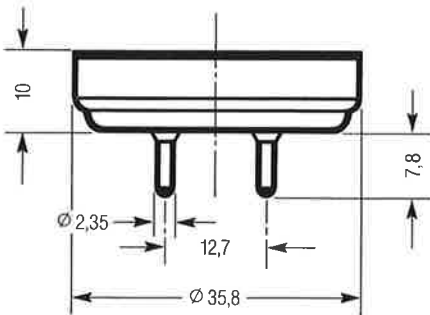
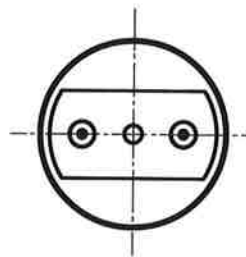
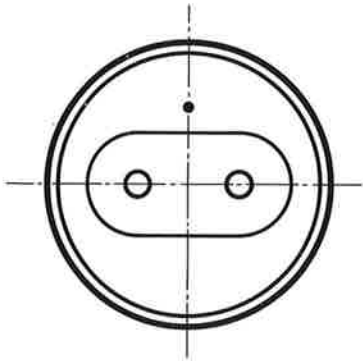
Cap types

Screw cap E 27/27
Cap G 13

Dimensions in mm



Screw cap E 27/27
shell: aluminium
contact plates: brass
insulation: glass
IEC 7004-21
DIN 49620



Cap G 13/10 x 35
shell: aluminium
contact pins: brass
insulation: impregnated paper
IEC 7004-51
DIN 49653 Blatt 1

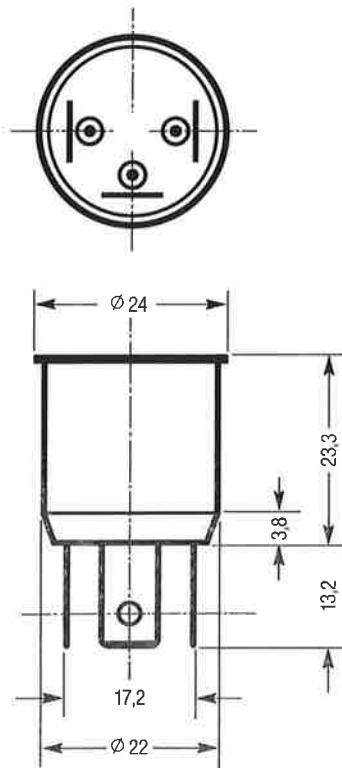
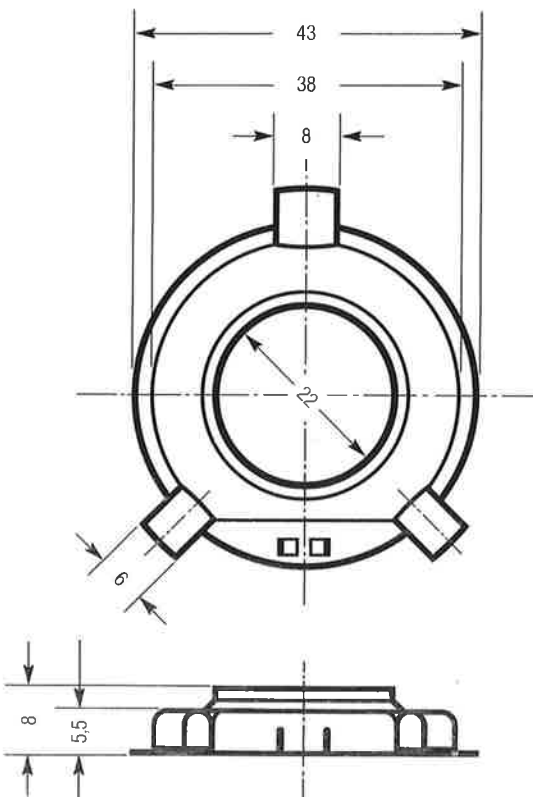
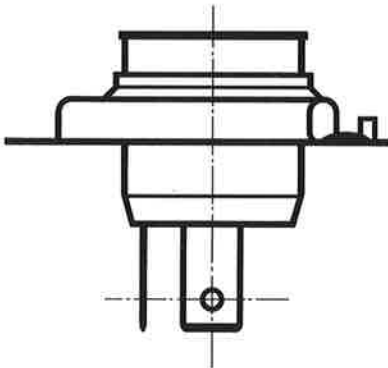
Cap G 13/10 x 24
shell: aluminium
contact pins: brass
insulation: impregnated paper
IEC 7004-51
DIN 49653 Blatt 1

Lamp Caps

Cap types

Prefocus cap P43t-38
for automotive incandescent lamps H4
Prefocus ring Pr43-38
Cap G 16t

Dimensions in mm



Prefocus cap P43t-38
Prefocus ring, shell and connector tabs:
brass, nickel-plated
insulation: plastic

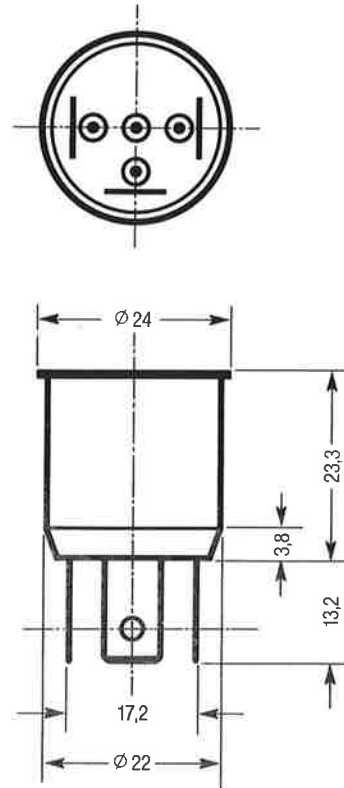
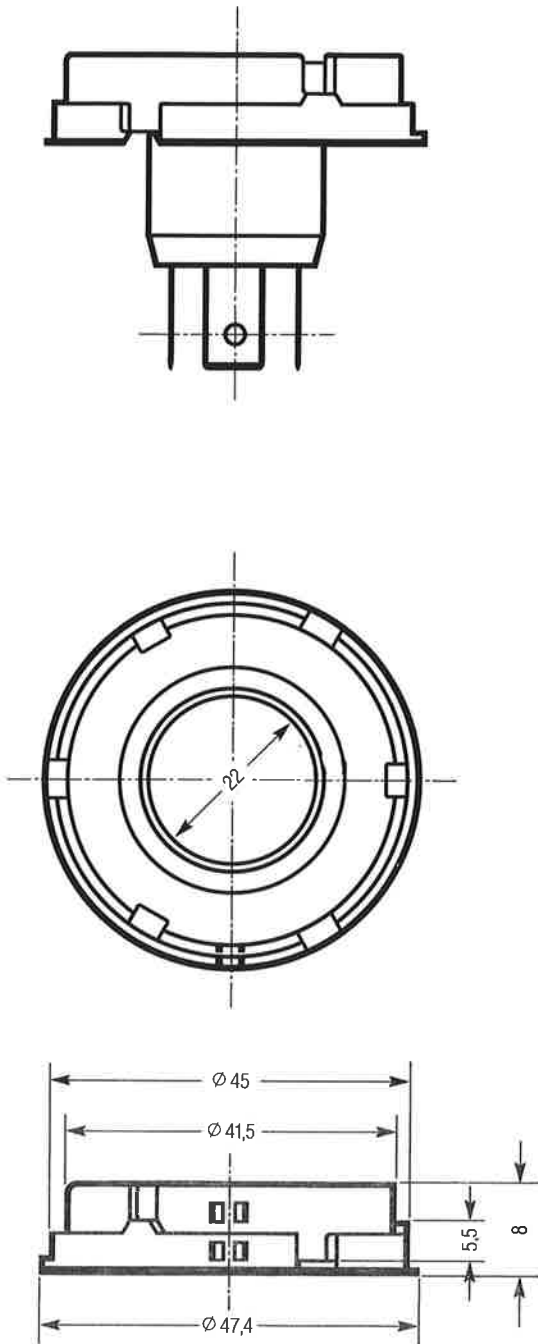
Prefocus cap P43t-38 consists of:
cap G 16t and prefocus ring Pr43-38
IEC 7004-39
DIN 49 ... (in preparation)

Lamp Caps

Cap types

Prefocus cap P45t-41
Prefocus ring Pr45-41
Cap G 16t

Dimensions in mm



Prefocus cap P45t-41
Prefocus ring, shell and connector tabs:
brass, nickel-plated
insulation: plastic

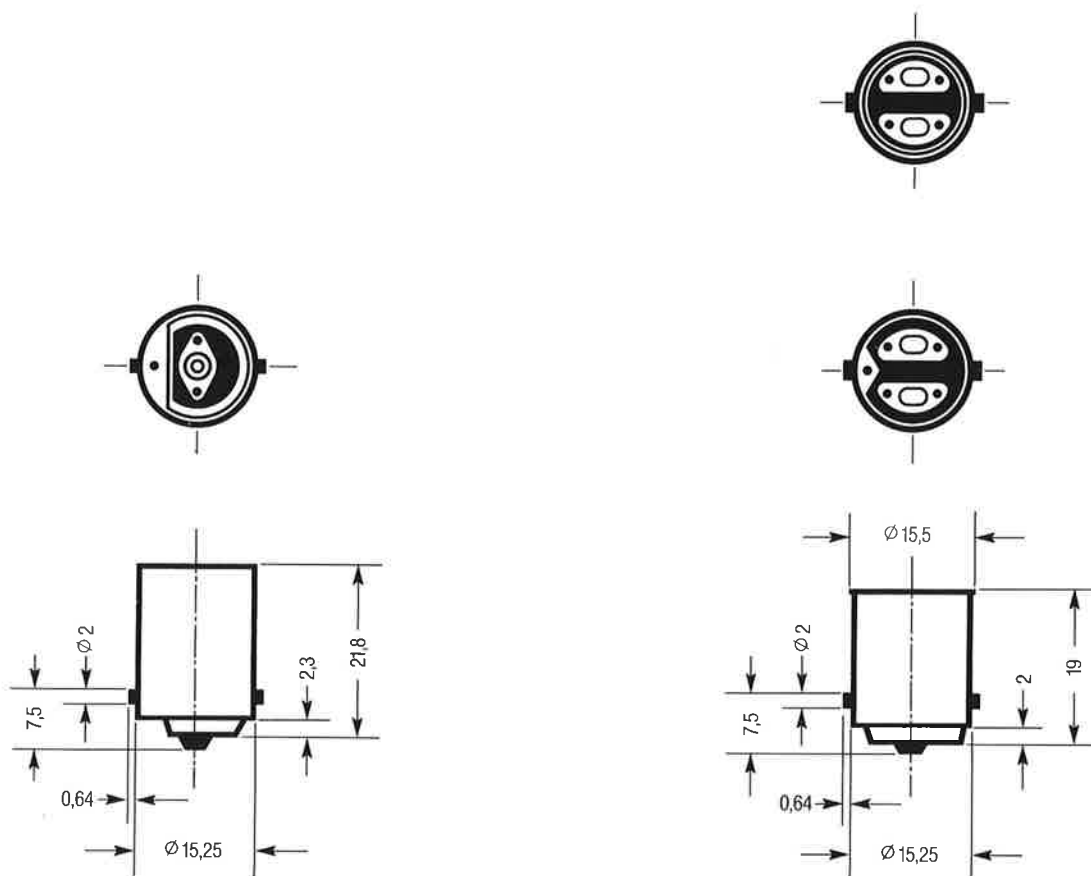
Prefocus cap P45t/41 consists of:
cap G 16t and prefocus ring Pr45-41
IEC 7004-95
DIN 49 737

Lamp Caps

Cap types

Bayonet cap BA 15s
Bayonet cap BA 15d

Dimensions in mm



Bayonet cap BA 15s
shell and contact plate:
brass: nickel-plated
insulation: plastic
IEC 7004-11A
DIN 49 720

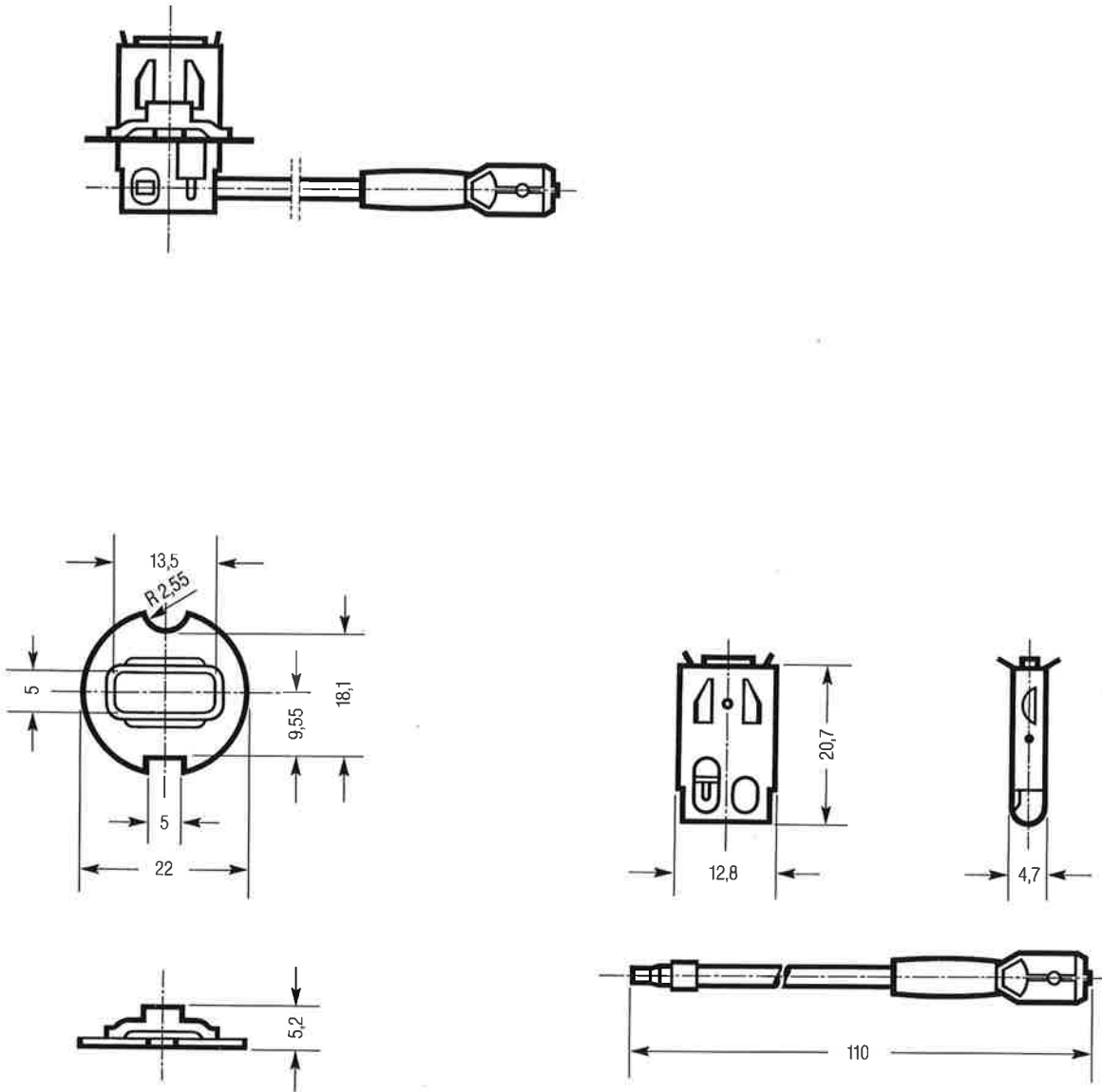
Bayonet cap BA 15d
shell and contact plates:
brass, nickel-plated
insulation: plastic
IEC 7004-11A
DIN 49 720

Lamp Caps

Cap types

Prefocus cap PK 22s
for automotive incandescent lamps H3

Dimensions in mm



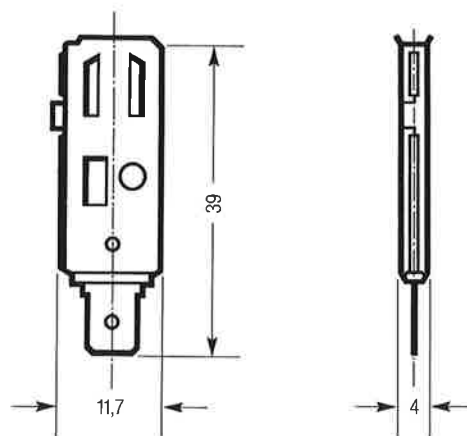
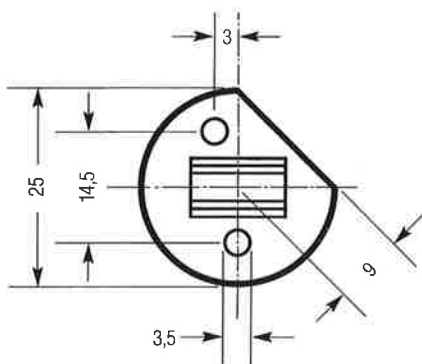
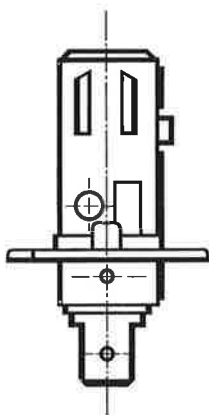
Prefocus cap PK 22s consists of:
Prefocus ring Pr22, shell and cable
IEC 7004-47
DIN 49 742

Lamp Caps

Cap types

Prefocus cap P 14,5s
for automotive incandescent lamps H1

Dimensions in mm



Prefocus cap P 14,5s
shell: nickel
connector tab: nickel
insulation: plastic
prefocus ring: brass, nickel-plated

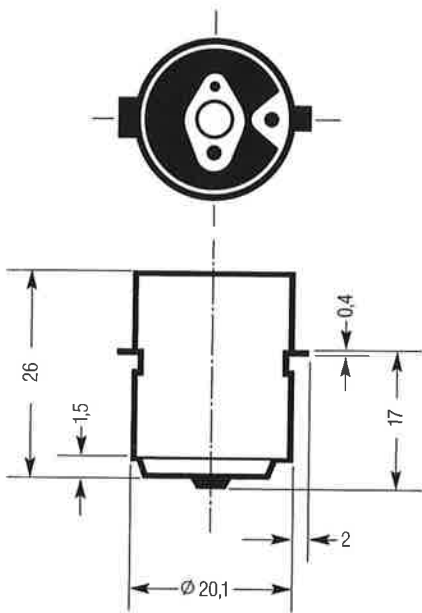
Prefocus cap P 14,5s consists of:
cap Fc 6,4-0,8 and
prefocus ring Pr 14,5
IEC 7004-46
DIN 49 738

Lamp Caps

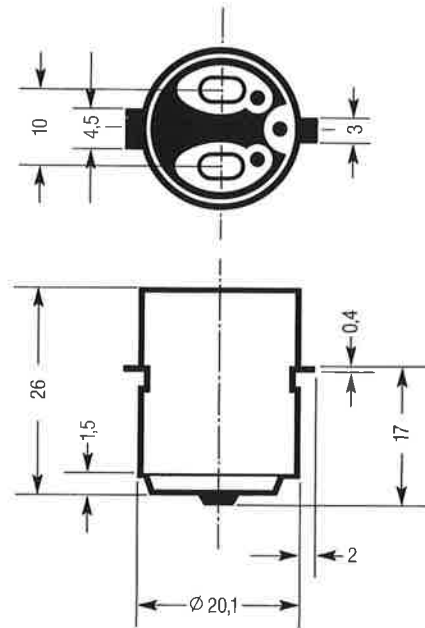
Cap types

Bayonet cap BA 20s
Bayonet cap BA 20d
Bayonet cap B 15d

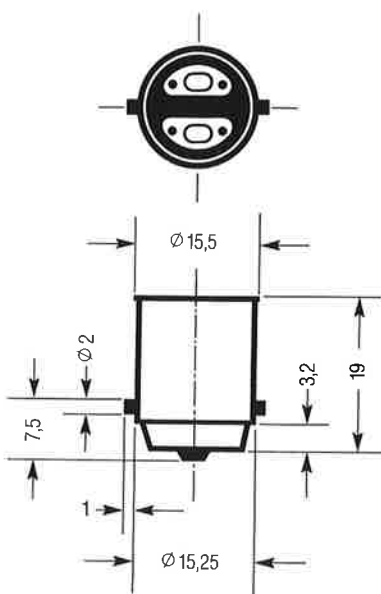
Dimensions in mm



Bayonet cap BA 20s
shell and contact plate:
brass, nickel-plated
insulation: plastic
IEC 7004-12
DIN 49 730



Bayonet cap BA 20d
shell and contact plates:
brass, nickel-plated
insulation: plastic
IEC 7004-12
DIN 49 730



Bayonet cap B 15d
shell and contact plates:
brass, nickel-plated
insulation: plastic
IEC 7004-11
DIN 49 721