



**GE Thorn**

# ARCSTREAM



# Simply brilliant

Take a close look at THORN Lighting's brilliant Arcstream compact metal halide lamp.

This jewel-like light source has been carefully designed to provide perfect white light with ultra low flicker and superb colour rendition – at a fraction of the running cost of incandescent lamps.

This, together with the choice of universal burning 70W\* and 150W versions, makes Arcstream perfect for most display lighting applications; both interior and exterior.

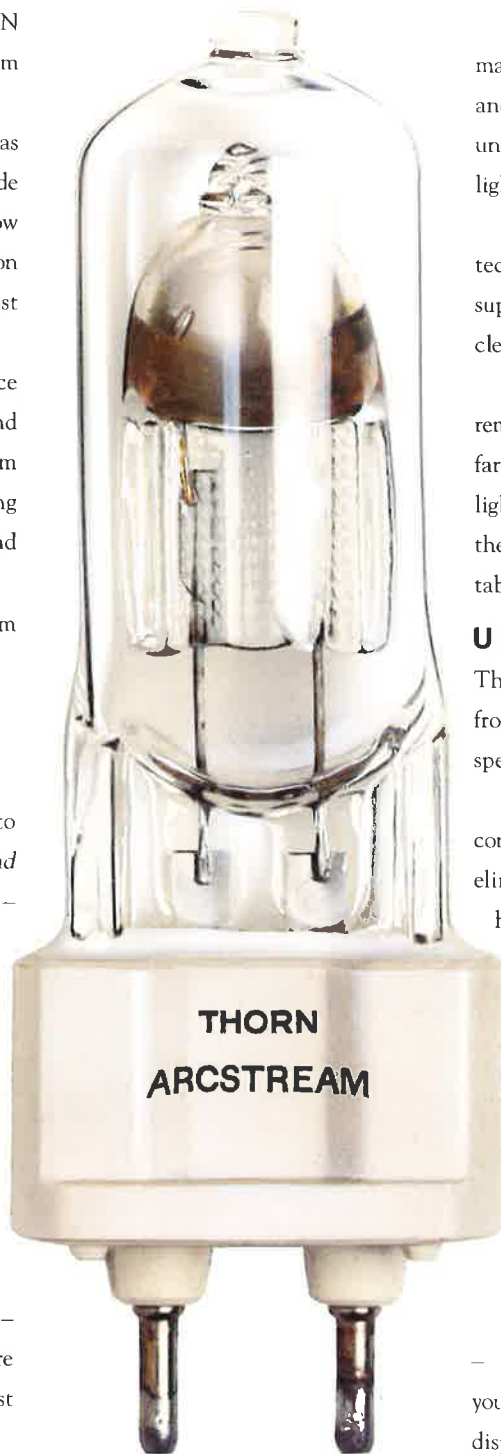
(\*70W version available from Spring 1991).

## IN-DEPTH DEVELOPMENT

Arcstream has been designed to achieve the designer's aims and meet the end user's requirements – providing the flexibility and quality of light demanded by the designer; whilst delivering the efficiency that cost-conscious end-users have to consider.

## SUPERB LIGHT QUALITY

Arcstream can be specified in two colour temperatures – 3000K and 4000K – a feature that makes it unique amongst metal halide lamps.



This means that Arcstream will match many other incandescent and fluorescent sources, bringing unparalleled flexibility to your lighting schemes.

And through its metal halide technology, Arcstream also offers superb colour rendition with truer, cleaner colours.

What's more, Arcstream's remarkable lumen output of 12,000 far outstrips many other display light sources (for figures, refer to the 'Display Lamp Comparison' table).

## USER FRIENDLY

The end user also benefits greatly from Arcstream's brilliant specification.

Its ultra-low flicker ensures a consistent light output that eliminates visual irritation – helping to combat the effects of 'Sick Building Syndrome'.

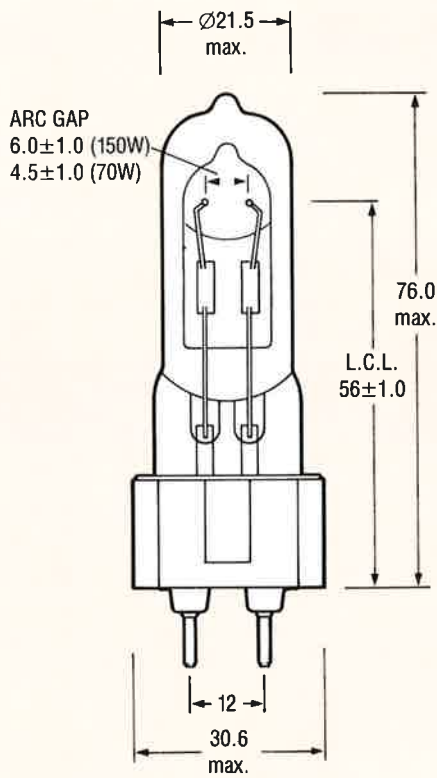
Arcstream is also extremely efficient. With an average life of 6000 hours it easily outlasts its rivals. And its 12,000 lumen output means that fewer Arcstream lamps are needed to light a given area.

Arcstream by THORN Lighting – The most valuable decision you'll make when specifying display lighting.

# ARCSTREAM



# Metal Halide technology

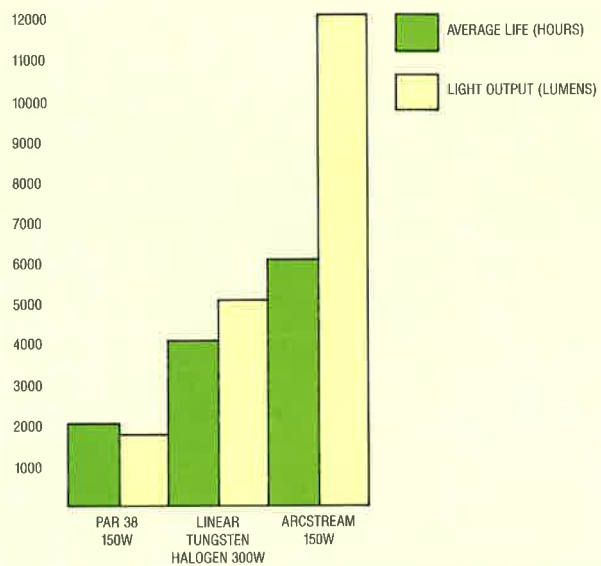
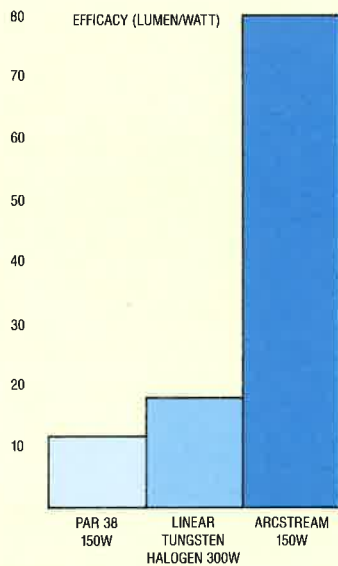


Dimensions in mm



The 150W Arcstream proved itself to be the perfect choice for lighting Tobacco Dock, London E1.

## DISPLAY LAMP COMPARISONS



# THORN Lighting quality

At THORN Lighting, quality is built into every one of our Arcstream lamps.

Arcstream is the only lamp of its type manufactured using systems that hold the BS5750 Assurance of Quality. This industry-wide standard certifies that every step of the design and manufacturing process is carefully monitored and recorded, ensuring that every single lamp is of an equally high standard.



FM 2270/1

The spread of colour appearance of a typical batch of lamps under standard conditions will be within  $\pm 200\text{K}$ .

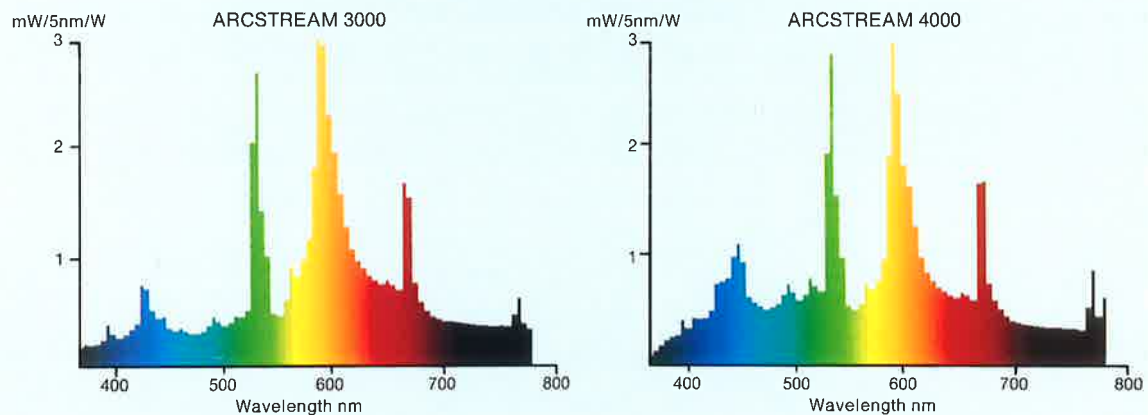
Variation in operating position and supply voltage should be minimised for best colour uniformity.

## ARCSTREAM COMPACT METAL HALIDE

Lamp		Electrical Data	
Watts		(For nominal lamp and control gear)	
	150	Lamp power (W)	150
	70		70
Type	MBI-T	Lamp voltage (V)	95
<b>Dimensions</b>	See line drawing	Lamp current (A)	1.8 (150W) 0.95 (70W)
Cap	G12	Supply voltage (V)*	<b>220 240</b>
Operating position	UNIVERSAL	Supply current (A)*	0.85 0.76
<b>Photometric Data</b>		Supply power (W)*	170 172
Nominal Light Output		Power factor lagging*	0.9 0.9
- 100 hours -		% 3rd harmonic*	16% 18%
(Lumens)	12000 (150W) 5200 (70W)	Max. capacitor current (A)*	1.4 1.4
<b>Colour appearance</b>		Recommended fuse rating (A)*	4 4
Nominal correlated colour temperature	3000K 4000K		
Chromaticity co-ordinates	x = 0.437 0.380 y = 0.402 0.377		
Initial light output (Lumens)	12000 11500 (150W) 5200 5200 (70W)		
<b>Colour Rendering</b>			
General colour rendering index			
Ra	80 85 (150W) 80 80 (70W)		
DIN 5035 colour rendering group	1B 1B		

\*70W data not available at time of print.

## SPECTRAL DISTRIBUTION (150W, 70W)





# GE Thorn

**London (Inside M25)**

3 King George Close  
Eastern Avenue West  
Romford, Essex RM7 7PP  
Telephone 0708 730888  
Telex 897759 THLITE G  
Fax Sales 0708 732944  
Technical 0708 727370

**London Showroom**

Suite 330  
The Business Design Centre  
Upper Street, Islington Green  
London N1 0QH  
Telephone 071 288 6064  
Fax 071 288 6205

**Midlands**

Emmanuel Court  
14 to 16 Reddicroft  
Sutton Coldfield  
Birmingham B73 6AS  
Telephone 021 355 8000  
Fax 021 355 8492

**North East**

California Drive, Castleford  
West Yorkshire WF10 5QH  
Telephone 0977 551212  
Fax 0977 514294

**North West**

Thorn House  
The Towers  
Wilmslow Road  
Didsbury  
Manchester M20 8SE  
Telephone 061 445 9988  
Fax 061 445 8191

**Northern Ireland**

Prince Regent Road, Castlereagh  
Belfast BT5 6QR  
Telephone 0232 401122  
Fax 0232 401338

**Scotland**

Thorn House, Industrial Estate  
Larkhall, Lanarkshire ML9 2PA  
Telephone 0698 886007  
Fax 0698 881660

**South East**

3 King George Close  
Eastern Avenue West  
Romford, Essex RM7 7PP  
Telephone 0708 730880  
Telex 897759 THLITE G  
Fax Sales 0708 732944  
Technical 0708 727370

**South West**

Thorn House, Penarth Road  
Cardiff, Wales CF1 7YP  
Telephone 0222 344200  
Fax 0222 344240

**Head Office**

**Sales and Marketing**  
Lincoln Road  
Enfield, Middlesex EN1 1SB  
Telephone 081-366 1166  
Telex 915891 THORN G  
Fax 081-366 1166 Ext. 3180 (Sales)

**International Sales**

3 King George Close  
Eastern Avenue West  
Romford, Essex RM7 7PP  
Telephone 0708 766033  
Telex 897759 THLITE G  
Fax 0708 741827

All descriptions, illustrations, drawings and specifications in this publication present only general particulars and shall not form part of any contract. The right is reserved to change specifications without prior notification or public announcement. All goods supplied by the company are supplied subject to the Company's General Conditions of Sale, a copy of which is available on request.