

# TRU-AIM PROFESSIONAL



**THE FIRST CHOICE  
FOR PROFESSIONAL LIGHTING**



**SYLVANIA** **GTE**  
Efficient Lighting Solutions

# Professional from Sylvania.

## The complete range of sealed low voltage dichroic display lamps.

If you want the very best display lighting, capable of creating more than one effect, just ask for a Professional.

A Professional lamp has all the advantages of low voltage dichroic lighting without any of the disadvantages. Because each Professional lamp is sealed you can now rely on a perfectly symmetrical even beam.

And you can choose from the most comprehensive range of low voltage dichroic lamps available from any single manufacturer - Sylvania.

### No more black holes

Because with Professional an axial filament creates the light and a unique built-in front lens controls it, you won't find any black holes. Instead you'll discover a perfectly spread uniform beam.

### Ensuring brightness lasts longer

The front lens of the Professional ensures it's fully sealed against the attack of dust and dirt.

It also prevents the build up of damaging air convection currents around the capsule.

As a result the dichroic reflector is kept completely clean and brightness and colour is maintained at a maximum.

### No need for enclosed fittings

Professional has been designed to fit all your existing fittings. But because the lamp is sealed, and therefore, totally safe, there's no longer any need to use an additional front glass (which by the way reduces light output). This also means you're free to make the most of Professional's attractive appearance, right out in the open.

And when its long life comes to an end you'll find

it that much easier to change.

Please remember, however, that the 50mm lamp is not interchangeable with the 35mm lamp.

### A better coating for a better light

The Professional features a unique semi-hard dichroic reflector coating.

More stable than the traditional type, this too results in better brightness and colour maintenance especially in conjunction with the built-in front lens.

### Easier to handle, harder to break

Because the capsule at the centre of the Professional lamp is sealed out of harm's way, you'll find it that much easier to handle and that much harder to damage.





### **The best of both worlds**

Professional possesses all the other qualities that you've come to expect from traditional low voltage tungsten halogen dichroic lighting.

### **A compact light source**

Although it is sealed, due to Sylvania's massive investment in low voltage technology, Professional is still the same size as other dichroic display lamps. Making it extremely compact when compared to bulky incandescent reflectors and PAR lamps.

### **Dichroic means a cool beam**

Standard display lamps throw forward the heat they produce, creating an uncomfortable environment for people and a far from suitable way of displaying goods, particularly perishables.

On the other hand Professional with its dichroic reflector, whilst throwing light forward, actually passes most of the heat back. Its cool beam makes it ideal for all types of display.

### **Quality controlled natural light**

Because Professional is a tungsten halogen lamp it provides excellent natural quality light with both superb colour rendering and colour appearance. And because of that built-in front lens, and small powerful light source, the light is precisely focused producing a highly controlled beam. Allowing you to spot what you want or flood without leaks.

### **More life, less energy**

The combination of both tungsten halogen and low voltage aspects mean that Professional is





a very compact and efficient light source. For instance, in appropriate applications, a 50W dichroic lamp is able to replace a 150W PAR lamp resulting in energy cost savings of 66%.

Professional also reduces maintenance because of much longer lamp life. Reflector lamps typically last 1000 hours and PAR lamps about 2000 hours. Where as, just a 50W type Professional will give you 3000 hours of undiminished brightness. Indeed the unique 65W type Professional can replace a conventional 75W type with no loss of light.

#### **The best range in the UK**

The Professional range is without doubt the most comprehensive available from any one manufacturer. In all 22 lamps give you the widest choice of wattages and beam angles.

We've introduced a new smaller 35mm diameter version of our popular 50mm diameter lamp. A choice of 5 lamps in the new 35mm size enables you to get closer to the object you wish to illuminate, providing an even more discreet light source. And that's on top of the 5 new lamps we've added to our 50mm range.

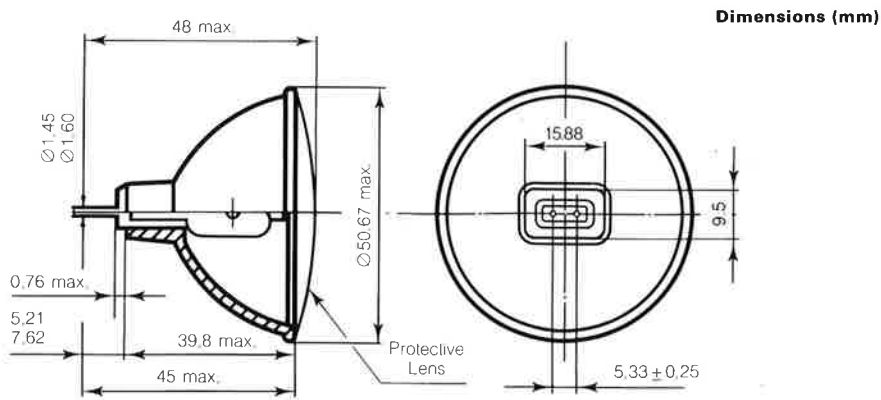
#### **The same life, the same performance, at the right price**

You might expect a sealed lamp that gives you all the benefits of low voltage tungsten halogen dichroic lighting, without any of the faults, to cost more. In fact, you're in for a pleasant surprise when you compare the price of Professional with its less than perfect rivals.

**SYLVANIA**  
**TRU-AIM**  
**PROFESSIONAL**



# TRU-AIM PROFESSIONAL 12V ø 50mm GX5.3 base



## GENERAL INFORMATION

Lamp Rating	20 W/12 V	20 W/12 V	20 W/12 V	35 W/12 V	35 W/12 V	50 W/12 V	50 W/12 V	50 W/12 V	50 W/12 V	50 W/12 V	50 W/12 V	65 W/12 V	65 W/12 V	50 W/12 V COLOURS
Type Description	EZX	ESX	BAB	FMT	FMW	FTY	EXT	EXZ	ENL	EXN	FNV	FPA	FPB	FNC YELLOW FND RED FNE GREEN FNF BLUE

## MECHANICAL DATA

Maximum Overall Length	mm	45.0	45.0	45.0	45.0	45.0	45.0	45.0	45.0	45.0	45.0	45.0	45.0	45.0
Contact Pin Length	Min. Max.	5.21-7.62	5.21-7.62	5.21-7.62	5.21-7.62	5.21-7.62	5.21-7.62	5.21-7.62	5.21-7.62	5.21-7.62	5.21-7.62	5.21-7.62	5.21-7.62	5.21-7.62
Rim Diameter, Max.	mm	50.67	50.67	50.67	50.67	50.67	50.67	50.67	50.67	50.67	50.67	50.67	50.67	50.67
Reflector		Dichroic	Dichroic	Dichroic	Dichroic	Dichroic	Dichroic	Dichroic	Dichroic	Dichroic	Dichroic	Dichroic	Dichroic	Dichroic
Base		GX5.3	GX5.3	GX5.3	GX5.3	GX5.3	GX5.3	GX5.3	GX5.3	GX5.3	GX5.3	GX5.3	GX5.3	GX5.3
Average Life (hrs)		2000	2000	2000	3000	3000	3000	3000	3000	3000	3000	3500	3500	3000

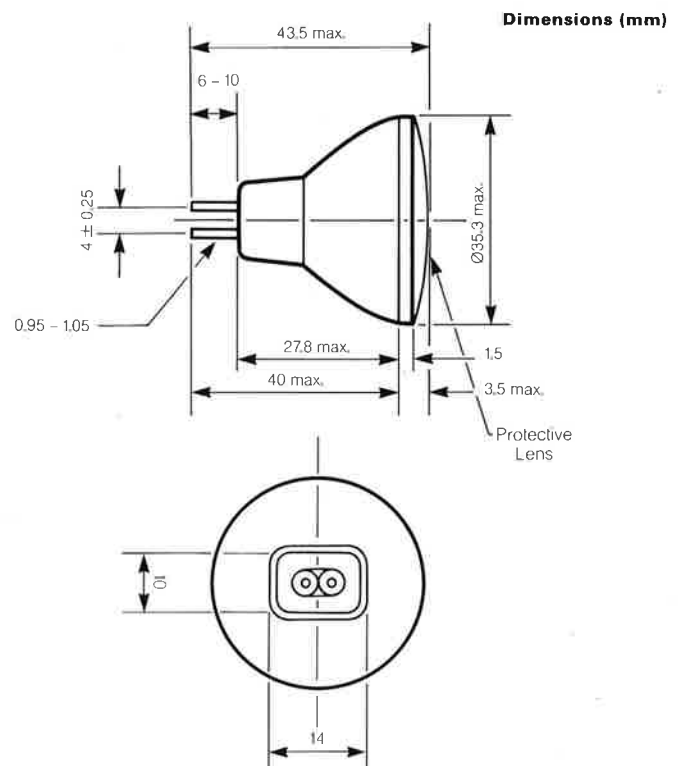
## ILLUMINATION CHARACTERISTICS

Peak Luminous intensity cd	8200	3300	460	7600	970	12000	9150	3000	2500	1500	700	11500	2000	FNC 1500 FND 1800 FNE 5000 FNF 2700
Colour Temperature K	2925	2925	2925	3000	3000	3050	3050	3050	3050	3050	3050	3050	3050	-
Half Peak Angle (nominal)	7°/VNSP	12°/NSP	36°/FL	12°/NSP	36°/FL	8°/VNSP	13°/NSP	24°/SP	28°/NFL	38°/FL	60°/WFL	13°/NSP	38°/FL	13°/NSP

## ORDERING INFORMATION

Packing Quantity	10	10	10	10	10	10	10	10	10	10	10	10	10	10
Order Code	21915	21900	21901	21946	21947	21917	21902	21903	21904	21905	21916	21906	21907	FNC 21910 FND 21911 FNE 21912 FNF 21913

# TRU-AIM PROFESSIONAL 12V ø 35mm GZ4 base



## GENERAL INFORMATION

Lamp Rating	20 W/12 V	20 W/12 V	20 W/12 V	35 W/12 V	35 W/12 V
Type Description	FTB	FTC	FTD	FTE	FTF

## MECHANICAL DATA

Maximum Overall Length	mm	40	40	40	40	40
Contact Pin Length	Min. Max.	6-10	6-10	6-10	6-10	6-10
Rim Diameter, Max.	mm	35.3	35.3	35.3	35.3	35.3
Reflector		Dichroic	Dichroic	Dichroic	Dichroic	Dichroic
Base		GZ4	GZ4	GZ4	GZ4	GZ4
Average Life (hrs)		2000	2000	2000	3000	3000

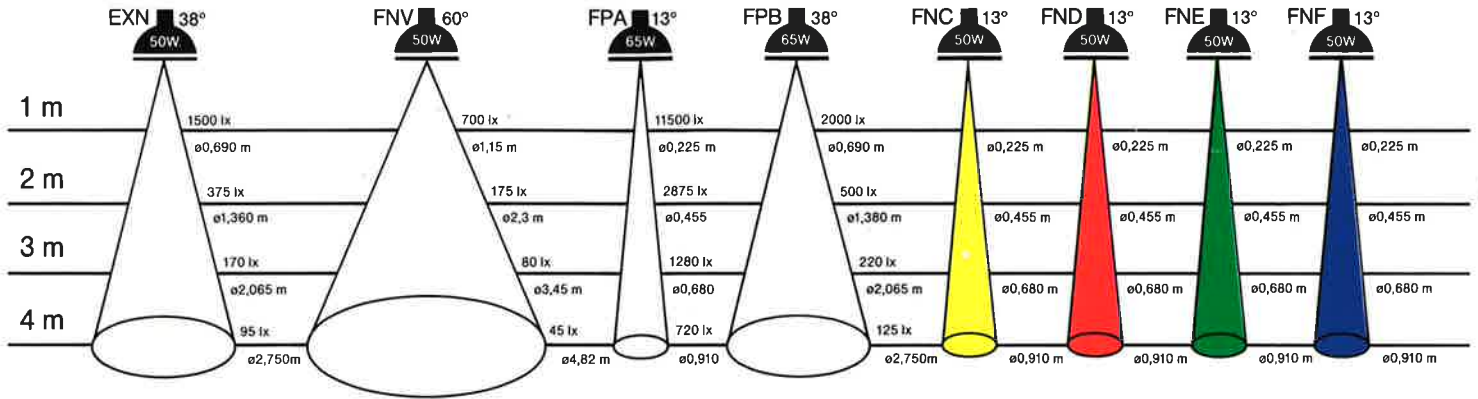
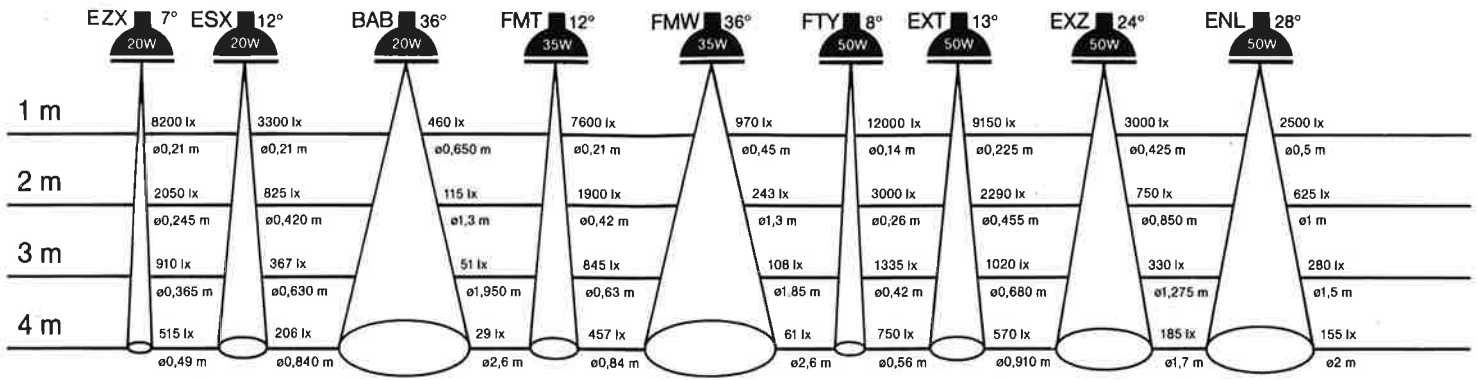
## ILLUMINATION CHARACTERISTICS

Peak Luminous Intensity cd	5500	1500	600	7000	3000
Colour Temperature K	2925	2925	2925	3000	3000
Half Peak Angle (nominal)	10°/NSP	20°/SP	30°/NFL	10°/NSP	20°/SP

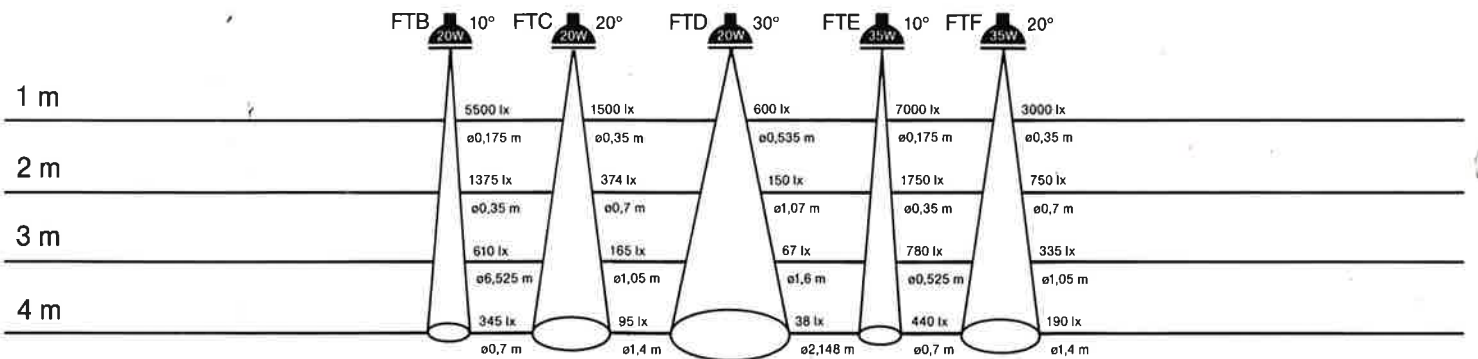
## ORDERING INFORMATION

Packing Quantity	10	10	10	10	10
Order Code	21940	21941	21942	21943	21944

# TRU-AIM PROFESSIONAL 12V ø 50mm GX5.3 base



# TRU-AIM PROFESSIONAL 12V ø 35mm GZ4 base



BRAHM 25K · 6 · 88