

Certain things should never be left open...



Professional Metal Reflector Ø 70mm



Professional Metal Reflector Ø 48mm

... not even
Metal Reflector lamps.



SYLVANIA

GTE

The new halogen metal reflector closed to bring out a more b



Toothpaste needs its cap to stay fresh. Great wine needs a firm cork to guard its qualities.

And now the highest quality metal reflectors are also closed to ensure superior performance. We've given them unique front lenses, and upgraded them with Sylvania advanced LVTH capsule technology.

The first thing you'll notice is better light distribution. No more black holes. The light is evenly focussed over the entire surface of the lens.

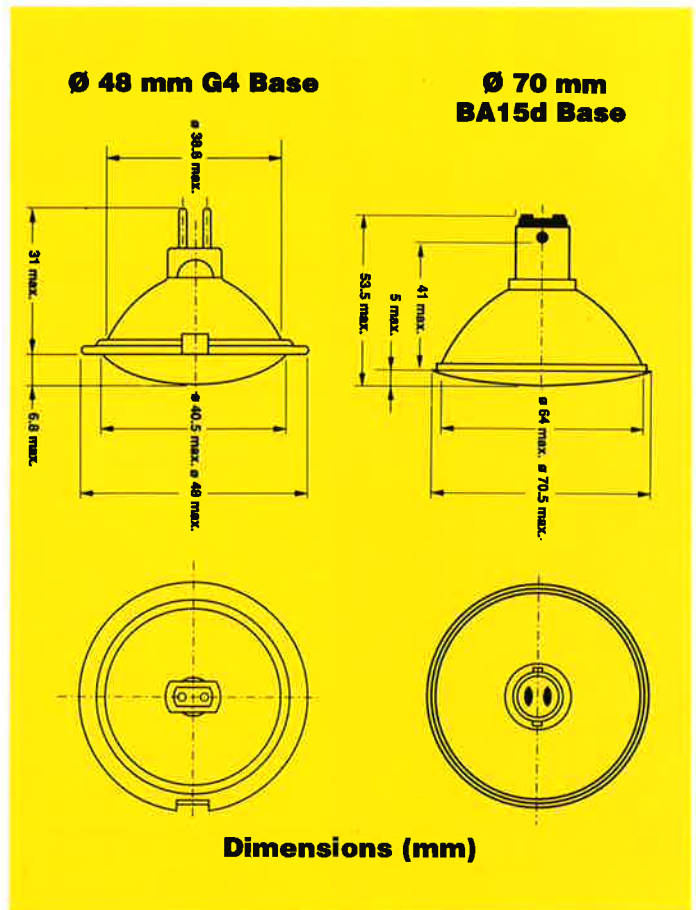
Whatever it illuminates will look better than ever before.

And that brilliant halogen light will keep its brilliance far longer. Thanks to the lens no dust grease or smoke can deposit on the inside of the reflector and diminish its performance. Feel free to handle it without any special precautions.

It's also safe everywhere in open fixtures. So you can explore new creative lighting arrangements.

In short, we closed it to bring out its best. Just consider the possibilities:

ectors, eautiful light.



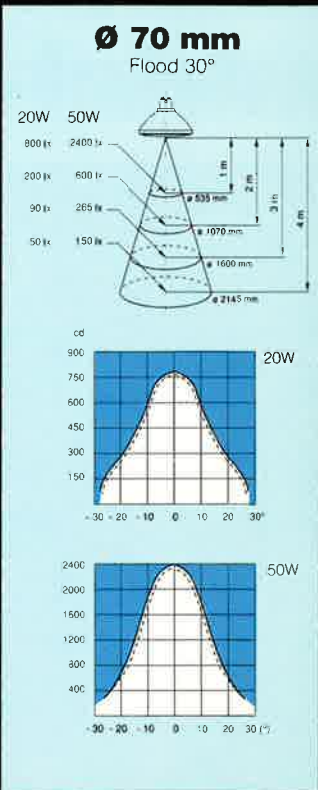
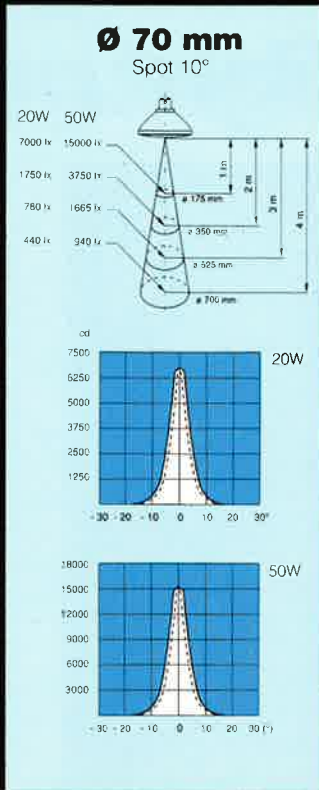
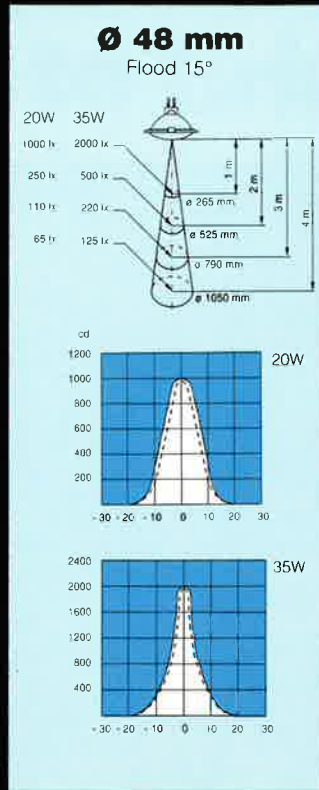
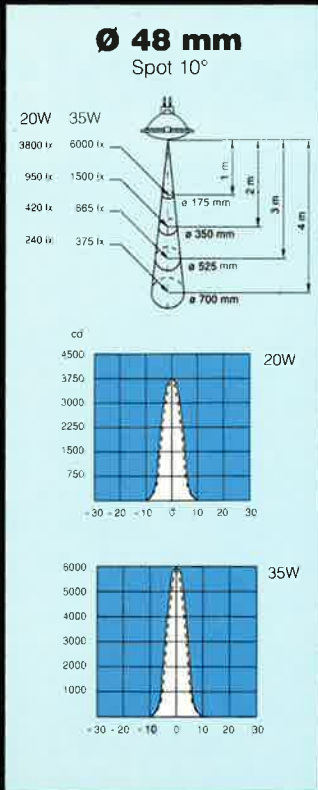
All the beauty of halogen

- Top quality, natural white halogen light.
- Respects the true colour of fashion, furnishings, work of art.
- The brightness level remains unchanged throughout the life of the bulb.

Closed to work better

- Better light distribution — light focussed evenly over the entire lens.
- No black holes — contours, details are sharper and clearer.
- Reflector's surface protected from grease and dirt.
- No fingerprints on the capsule.
- Safe in open fixtures everywhere indoors.
- Freedom to create new exciting lighting arrangements.

PROFESSIONAL METAL REFLECTORS



General Information	Ø 48 mm G4 Base				Ø 70 mm BA15d Base			
	Spot 10°		Flood 15°		Spot 10°		Flood 30°	
Supply Voltage	12V	12V	12V	12V	12V	12V	12V	12V
Lamp Rating	20W	35W	20W	35W	20W	50W	20W	50W
Mechanical Data *Reference Plane (see lamp drawing)								
Maximum Overall Length mm	37.8	37.8	37.8	37.8	53.5	53.5	53.5	53.5
Length from Ref. Plane* mm	31.0	31.0	31.0	31.0	41.0	41.0	41.0	41.0
Rim Diameter max. mm	48.0	48.0	48.0	48.0	70.5	70.5	70.5	70.5
Reflector	Aluminium				Aluminium			
Filament	Axial				Axial			
Base	G4				BA15d			
Average Life hrs	2000	3000	2000	3000	2000	3000	2000	3000
Illumination Characteristics								
Peak Luminous Intensity cd	3800	6000	1000	2000	7000	15000	800	2400
Colour Temperature K	2925	3000	2925	3000	2925	3050	2925	3050
Half Peak Angle (nominal)	10°/SP	10°/SP	15°/FL	15°/FL	10°/SP	10°/SP	30°/FL	30°/FL
Ordering Information								
Packing Quantity	10	10	10	10	10	10	10	10
Order Code	22026	22028	22027	22029	21972	21970	21973	21971

Sylvania reserves the right to change data and specifications without notice. Data for guidance only.