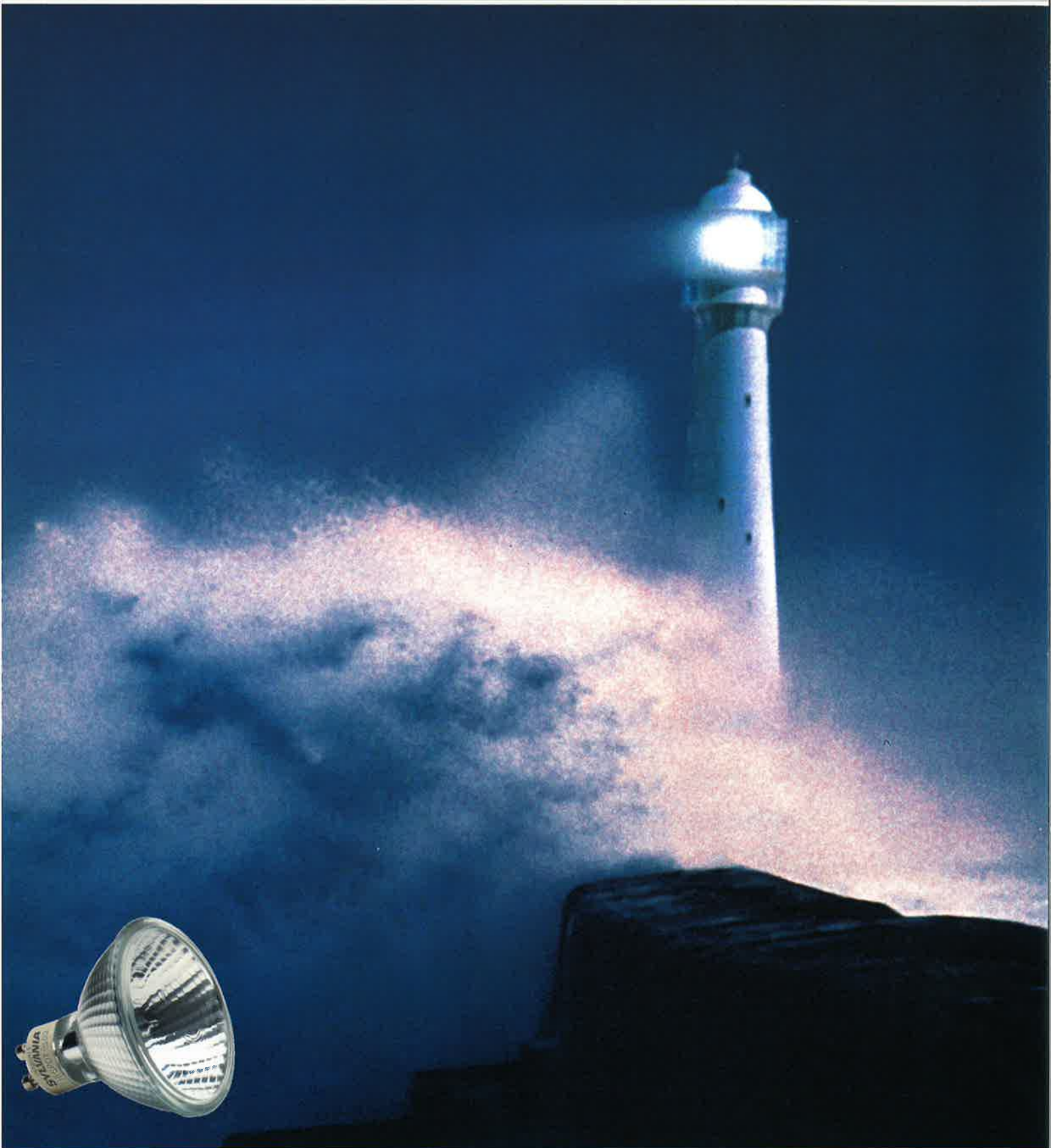


SYLVANIA

HI-SPOT ES63 - ESD63

The small, powerful mains halogen lamp that shows the way



At last, main voltage halogen as powerful as low voltage halogen, but only slightly bigger.



Mini halogen, no transformer.

Although there's no need for a transformer for the Hi-Spot ES 50 – the first compact mains halogen lamp introduced by Sylvania – there was still a demand for a higher light output. So, the two main things that Sylvania concentrated on in developing their mains voltage halogen range further were: producing as much light as a low-voltage halogen lamp in as small a volume as possible.

SMALL, POWERFUL AND SAFE.

Thanks to the higher wattage (75 Watts) of the tried and tested W-shape filament that works directly from the mains without a transformer, it became possible to generate an enormous light output. This makes it possible to set up professional lighting installations without the limitations that go with transformers and special dimmers. Thanks to the tried and tested GU 10 and GZ10 lamp sockets, which Sylvania have pro-

Sylvania. A source of inspiration.





THE COMPACTNESS AND HIGH LIGHT OUTPUT OF THE ES 63 AND ESD 63 MAKE THEM IDEALLY SUITED FOR FITTING INTO CEILING.



HIGH-VOLTAGE HALOGEN ACCENT-LIGHTING WITHOUT TRANSFORMER FOR BOTH PROFESSIONAL AND DOMESTIC APPLICATIONS.



posed for international standardisation (IEC), you can be sure that lamp-fittings equipped with a GU 10 lamp socket can not overheat – it's just impossible to stick a dichroic lamp into a GU 10 lamp-socket intended for an aluminised Hi-Spot ES63.

The blitz of development in new market segments for fittings based on mains halogen has been given a new impetus with this new lamp, and gives you the freedom to design without compromises. It opens up new perspectives for designers, manufacturers, consultants, lighting specialists and installers.

A standardisation proposal for the Hi-Spot ES 63 with the GU 10 socket and the Hi-Spot ESD 63 with GZ10 socket has been submitted to IEC.

Sylvania. A source of inspiration.

**Hi-Spot ES63
aluminised (GU 10)**



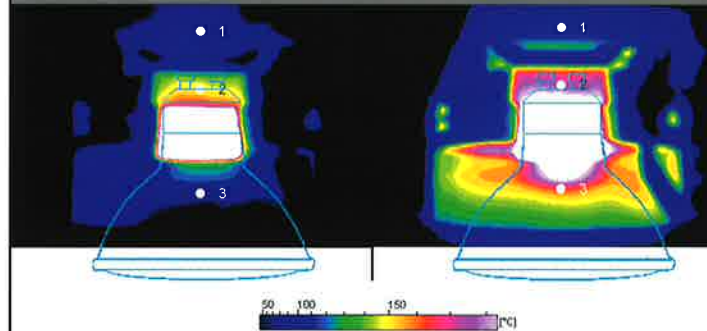
**Hi-Spot ESD63
dichroic (GZ 10)**



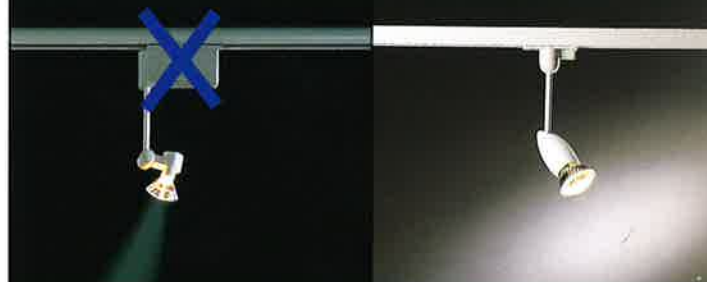
THIS IS THE FIRST TIME A MAINS-VOLTAGE HALOGEN LAMP HAS BEEN SO COMPACT, DISCREET AND YET SO BRIGHT. THE TURN-AND-LOCK LAMP SOCKET MAKES INSTALLATION EASY AND HOLDS THE LAMP SAFELY IN PLACE.



THE SLANTED SIDE OF THE GU10 CONTACT POINT FITS INTO THE LEFT OF THE LAMP SOCKET. HOWEVER, THE RIGHT SIDE OF THE GZ10 CONTACT POINT MAKES IT IMPOSSIBLE FOR IT TO FIT INTO A SIMILAR – LESS HEAT-RESISTANT – LAMP SOCKET.



THE ES-63 ALUMINIUM REFLECTOR KEEPS FIXTURES COOL AND THE HIGH OUTPUT ESD-63 DICHROIC REFLECTOR YIELDS A BRIGHTER LIGHT BUT DIRECTS MORE HEAT BACKWARDS.



CONVENIENT INSTALLATION WITHOUT TRANSFORMER.



THE COMPACTNESS OF THE ES 63 LAMPS MAKES THEM EASIER TO FIT, AND IN ADDITION TO THE GREATER LIGHT OUTPUT, CREATES ENDLESS NEW POSSIBILITIES.

The Hi-Spot® ES50 & ESD50.

Hi-Spot ES50



Description	Max. overall length (mm)	Max. reflector diameter (mm)	Cap	Average life (hours)	Max. light intensity (Cd)	Voltage (V)	Beam angle	Packing description	Stand. packing quantity	Code-number
Hi-Spot ES 50	55±2	50,67	GU 10	2500	1150	230/240	25°	bulk	100	21070/21073
Hi-Spot ES 50	55±2	50,67	GU 10	2500	1150	230/240	25°	sleeve	15	21071/21074
Hi-Spot ES 50	55±2	50,67	GU 10	2500	1150	230	25°	blister	10	21072
Hi-Spot ES 50	55±2	50,67	GU 10	2500	500	230/240	50°	bulk	100	21064/21067
Hi-Spot ES 50	55±2	50,67	GU 10	2500	500	230/240	50°	sleeve	15	21065/21068
Hi-Spot ES 50	55±2	50,67	GU 10	2500	500	230	50°	blister	10	21066

Hi-Spot ESD50

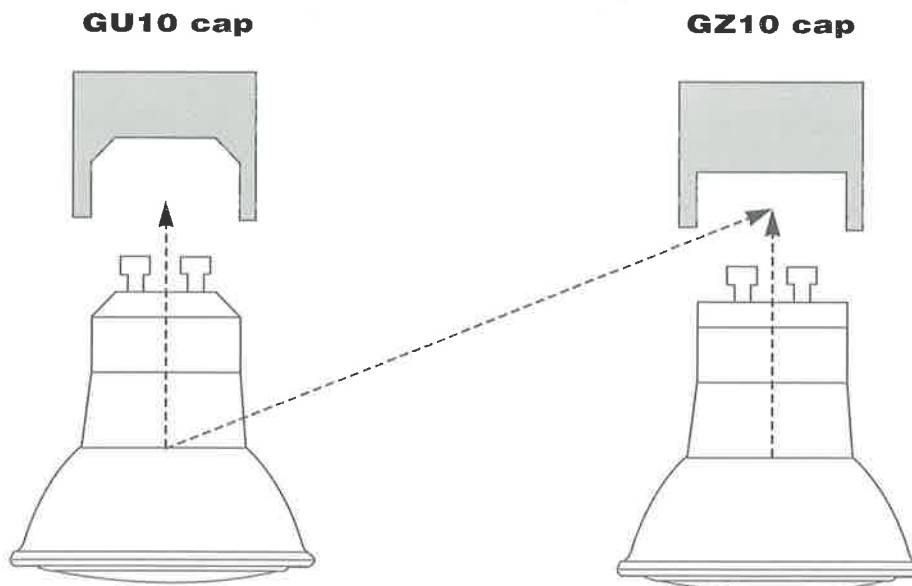


Description	Max. overall length (mm)	Max. reflector diameter (mm)	Cap	Average life (hours)	Max. light intensity (Cd)	Voltage (V)	Beam angle	Packing description	Stand. packing quantity	Code-number
Hi-Spot ESD 50	55±2	50,67	GZ 10	2500	1150	230/240	25°	bulk	100	21090/21093
Hi-Spot ESD 50	55±2	50,67	GZ 10	2500	1150	230/240	25°	sleeve	15	21091/21094
Hi-Spot ESD 50	55±2	50,67	GZ 10	2500	1150	230	25°	blister	10	21092
Hi-Spot ESD 50	55±2	50,67	GZ 10	2500	500	230/240	50°	bulk	100	21095/21098
Hi-Spot ESD 50	55±2	50,67	GZ 10	2500	500	230/240	50°	sleeve	15	21096/21099
Hi-Spot ESD 50	55±2	50,67	GZ 10	2500	500	230	50°	blister	10	21097

The GU10 cap & GZ10 cap

For added safety Sylvania has introduced the GZ10 cap for the dichroic ESD 50 and ESD 63. The introduction of the GZ10 cap prevents the use of the ESD 50 and the ESD 63 in temperature sensitive fixtures designed for the ES 50 and the ES 63.

However, the ES 50 and the ES 63 will be transferable into ESD 50 and ESD 63 fixtures as there would be no increase in fixture temperatures.

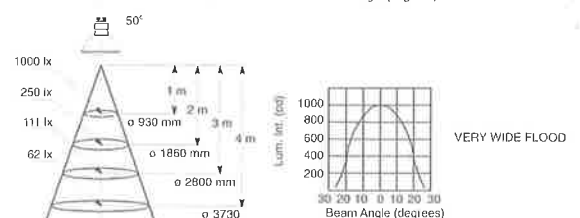
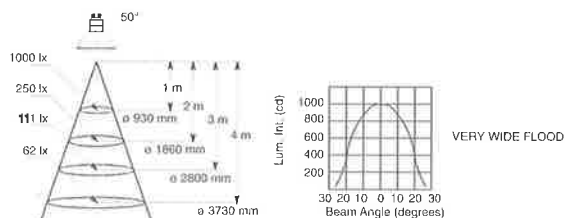
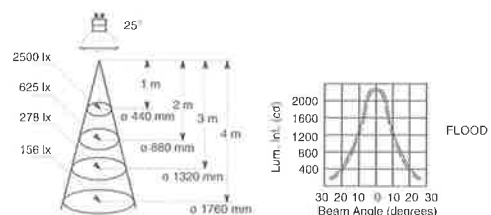
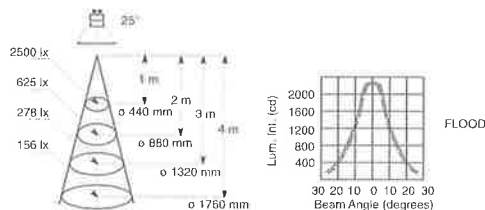
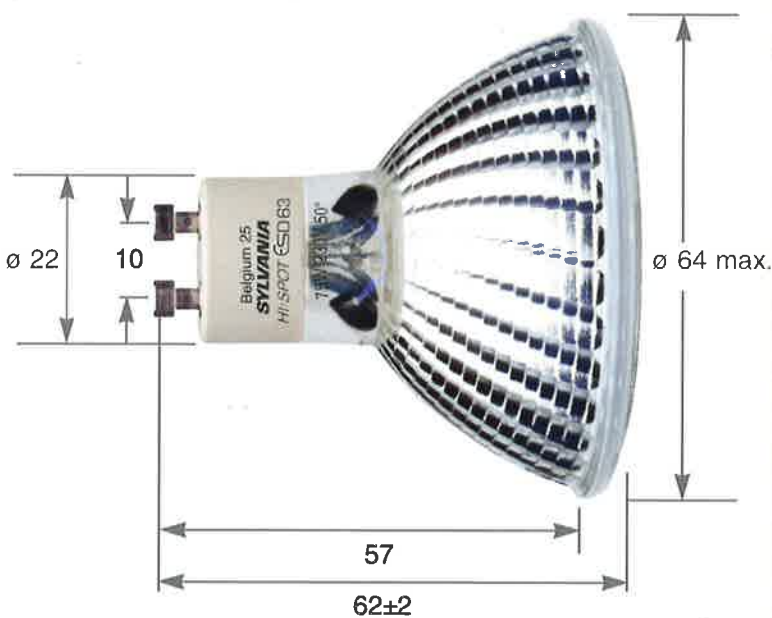
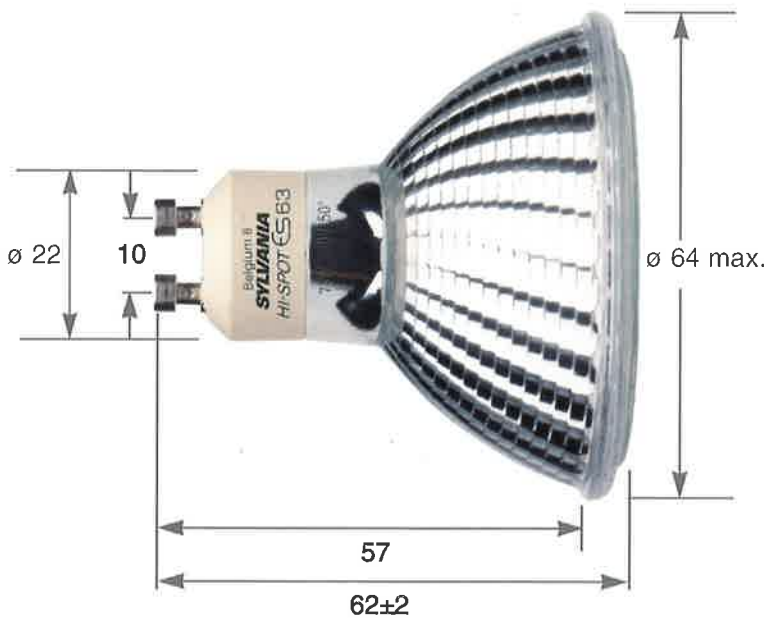


The Hi-Spot® ES63 & ESD63.

Description	Max. overall length (mm)	Max. refl. diameter (mm)	Cap	Average life (hours)	Max. luminous intensity (Cd)	Voltage (V)	Beam angle	Packing description	Stand. packing quantity	Codenumbr
Hi-Spot ES 63 75W	62±2	64	GU 10	2000	2500	230	25°	bulk	100	22270
Hi-Spot ES 63 75W	62±2	64	GU 10	2000	1000	230	50°	bulk	100	22260
Hi-Spot ES 63 75W	62±2	64	GU 10	2000	2500	230	25°	sleeve	15	22271
Hi-Spot ES 63 75W	62±2	64	GU 10	2000	1000	230	50°	sleeve	15	22261
Hi-Spot ES 63 75W	62±2	64	GU 10	2000	2500	240	25°	bulk	100	22273
Hi-Spot ES 63 75W	62±2	64	GU 10	2000	1000	240	50°	bulk	100	22263
Hi-Spot ES 63 75W	62±2	64	GU 10	2000	2500	240	25°	sleeve	15	22274
Hi-Spot ES 63 75W	62±2	64	GU 10	2000	1000	240	50°	sleeve	15	22264
Hi-Spot ESD 63 75W	62±2	64	GZ 10	2000	2500	230	25°	bulk	100	22280
Hi-Spot ESD 63 75W	62±2	64	GZ 10	2000	1000	230	50°	bulk	100	22290
Hi-Spot ESD 63 75W	62±2	64	GZ 10	2000	2500	230	25°	sleeve	15	22281
Hi-Spot ESD 63 75W	62±2	64	GZ 10	2000	1000	230	50°	sleeve	15	22291
Hi-Spot ESD 63 75W	62±2	64	GZ 10	2000	2500	240	25°	bulk	100	22283
Hi-Spot ESD 63 75W	62±2	64	GZ 10	2000	1000	240	50°	bulk	100	22293
Hi-Spot ESD 63 75W	62±2	64	GZ 10	2000	2500	240	25°	sleeve	15	22284
Hi-Spot ESD 63 75W	62±2	64	GZ 10	2000	1000	240	50°	sleeve	15	22294

The Hi-Spot® ES63.

The Hi-Spot® ESD63.



Also available - the full range of Hi-Spot retrofit halogen lamps with E14 and E27 bases. Separate leaflet available on request.
Data for guidance only. Sylvania reserves the right to change data without notice.