

Superior Professional Metal Reflectors - Case closed.

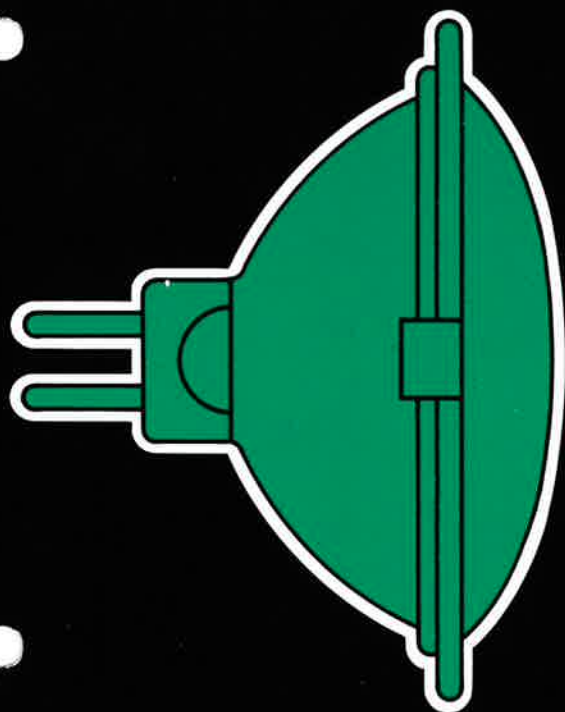


EXHIBIT 'A'
48mm.

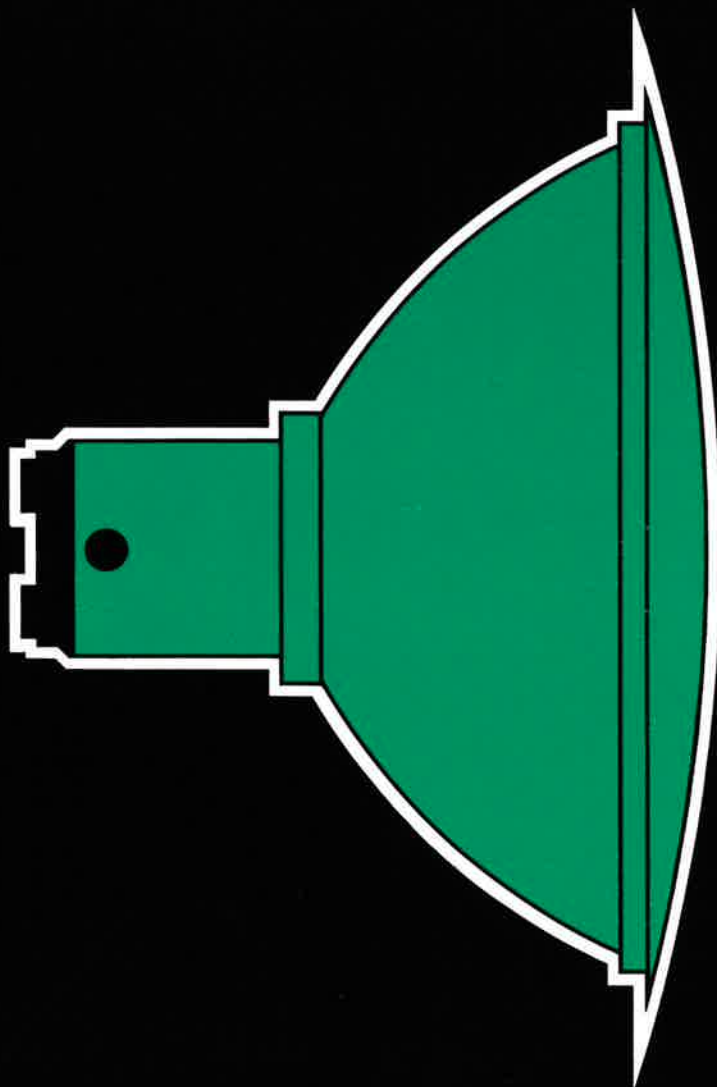


EXHIBIT 'B'
70mm.

New Professional Metal Reflectors. Sealed for



superior performance.



Sylvania's new low voltage tungsten halogen Professional Metal Reflectors provide sealed-in quality.

Thanks to a special built-in front lens you can now look forward to longer lasting undiminished light.

The unique low voltage tungsten halogen technology, developed by Sylvania, combined with a closed lamp, now means better light distribution with no more black holes.

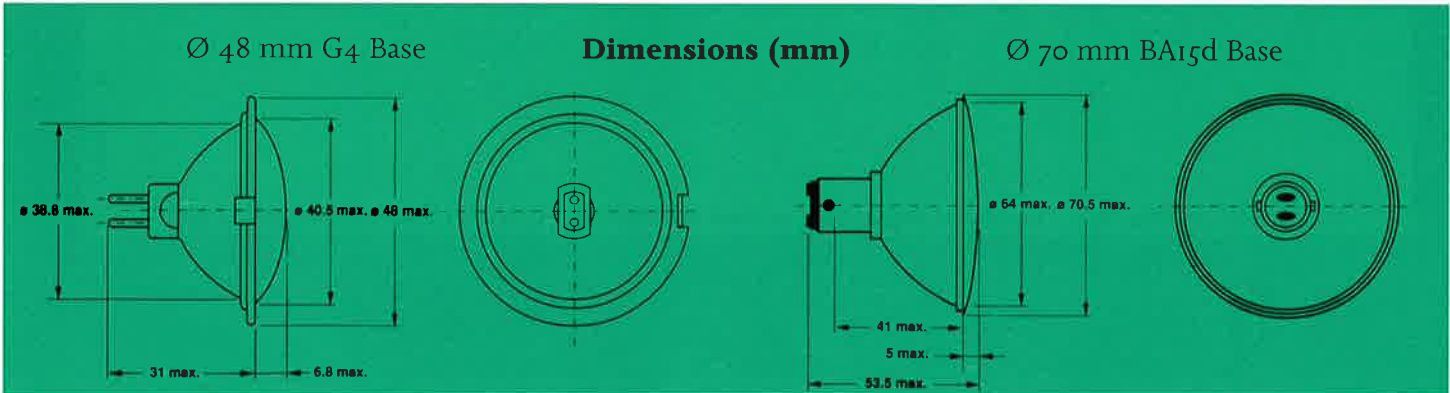


And that brilliant halogen light will keep its brightness far longer because the front lens protects the reflector from the damaging effects of dust, dirt and smoke. It also makes the lamp safer to handle and harder to break.

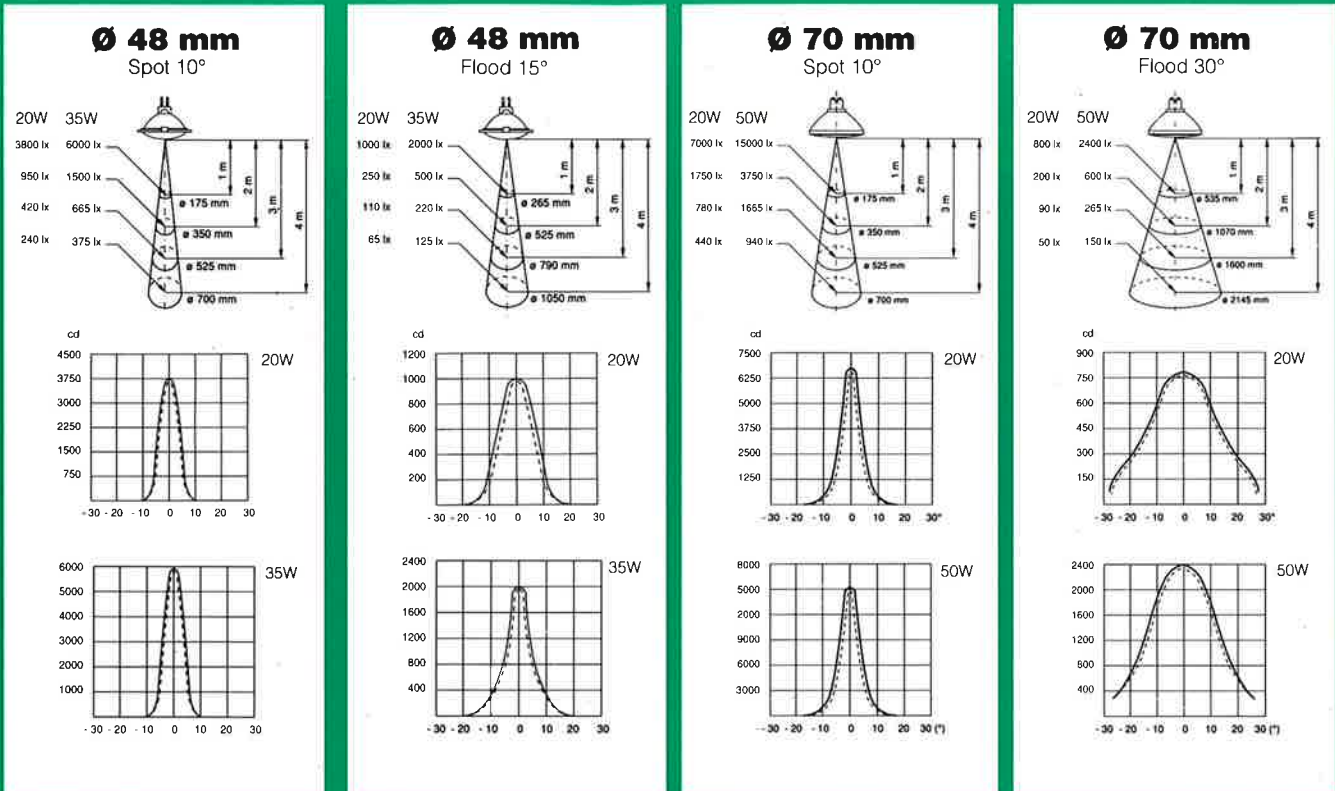


Best of all, because it's sealed, the lamp's safe to use in open fittings, which means you're free to create new lighting arrangements anywhere you choose.

For undiminished brightness and quality natural white light Sylvania's got it sealed.



PROFESSIONAL METAL REFLECTORS



General Information	Ø 48 mm G4 Base				Ø 70 mm BA15d Base				
	Spot 10°		Flood 15°		Spot 10°		Flood 30°		
Supply Voltage	12V	12V	12V	12V	12V	12V	12V	12V	
Lamp Rating	20W	35W	20W	35W	20W	50W	20W	50W	
Mechanical Data *Reference Plane (see lamp drawing)									
Maximum Overall Length	mm	37.8	37.8	37.6	37.8	53.5	53.5	53.5	
Length from Ref. Plane*	mm	31.0	31.0	31.0	31.0	41.0	41.0	41.0	
Rim Diameter	max. mm	48.0	48.0	48.0	48.0	70.5	70.5	70.5	
Reflector	Aluminium				Aluminium				
Filament	Axial				Axial				
Base	G4				BA15d				
Average Life	hrs	2000	3000	2000	3000	2000	3000	2000	3000
Illumination Characteristics									
Peak Luminous Intensity	cd	3800	6000	1000	2000	7000	15000	800	2400
Colour Temperature	K	2925	3000	2925	3000	2925	3050	2925	3050
Half Peak Angle (nominal)		10°/SP	10°/SP	15°/FL	15°/FL	10°/SP	10°/SP	30°/FL	30°/FL
Ordering Information									
Packing Quantity		10	10	10	10	10	10	10	10
Order Code		22026	22028	22027	22029	21972	21970	21973	21971

GTE Sylvania Ltd., Otley Road, Charlestown, Shipley, West Yorkshire BD17 7SN. Tel. 0274 595921, Telex 51251, Fax 0274 597683.

SYLVANIA

GTE