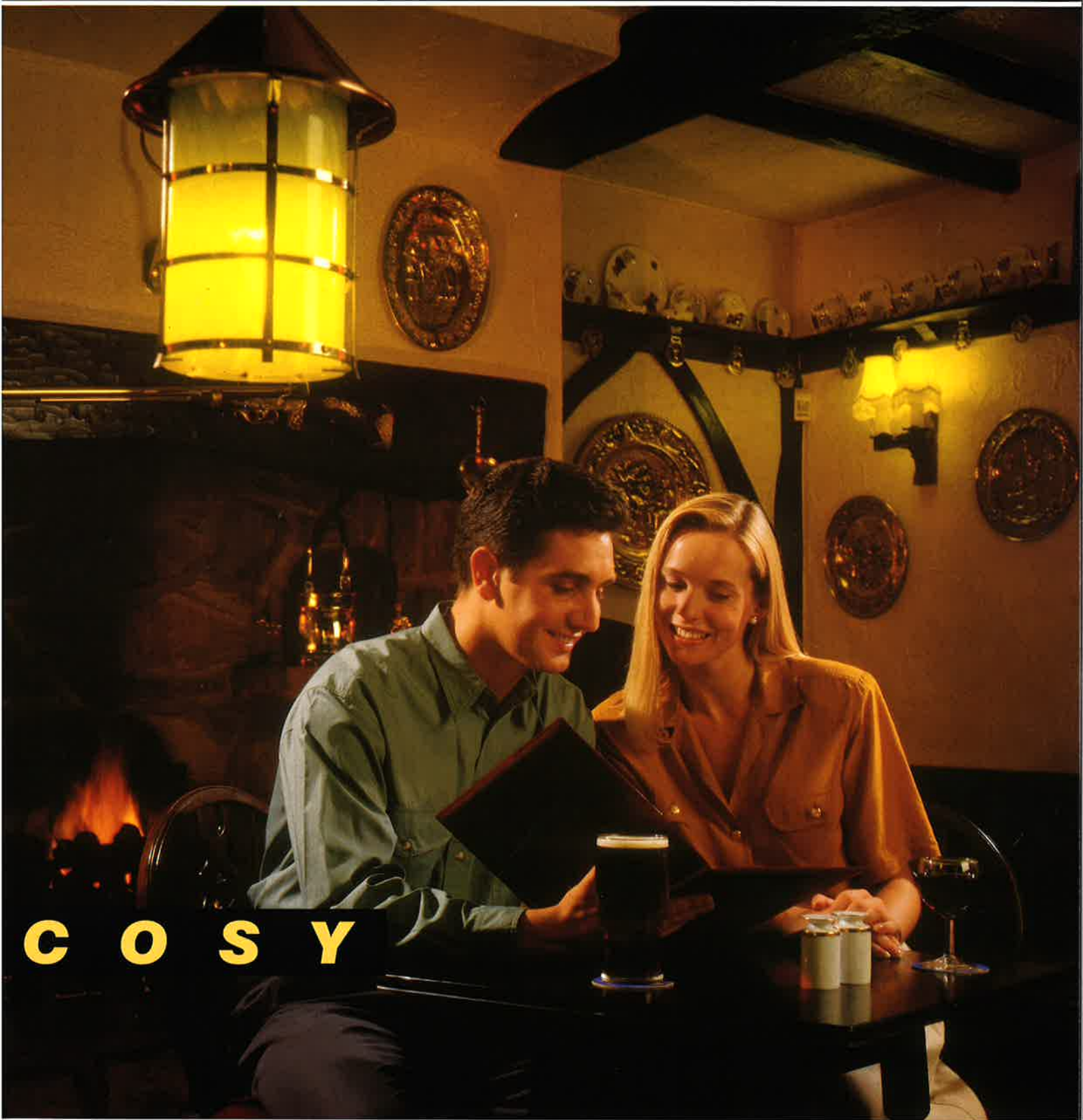


# SYLVANIA

Lynx Ambience. The compact fluorescent with added atmosphere.



C O S Y

**LYNX**  
ambience

**Lynx Ambience creates the atmosphere and cuts the costs.** Here at Sylvania we've

come up with a real breakthrough in lighting technology: a compact fluorescent with a soft,

gentle light. Unlike fluorescent lamps,

specially designed and restaurants all

candle lamps. And flock to a welcoming

Ambience will profits at the flick

secret of this special phosphor

casts a soft gentle that of candle

compact fluorescent, boasts significant

light on energy, the (including control gear)

uses only 40% of the electricity used by a normal GLS lamp. This means that over the years you can make heavyweight

savings on your energy bills. What's more, since Lynx Ambience lasts around

8,000 hours, expensive maintenance becomes a thing of the past. So if you're

looking for all the atmosphere of a candle lamp with all the economy of a compact fluorescent, you've just

seen the light. Sylvania. A source of inspiration.



other compact Lynx Ambience is

to give pubs, clubs the cosy glow of

since customers atmosphere, Lynx

maximise your of a switch. The

unique lamp? A coating which

light exactly like lamps. Yet, as a

Lynx Ambience also savings. Extremely

Lynx Ambience

**NOT COSTLY**

Ambience lasts around 8,000 hours, expensive

maintenance becomes a thing of the past. So if you're looking for all the atmosphere of a candle lamp with

all the economy of a compact fluorescent, you've just seen the light. Sylvania. A source of inspiration.



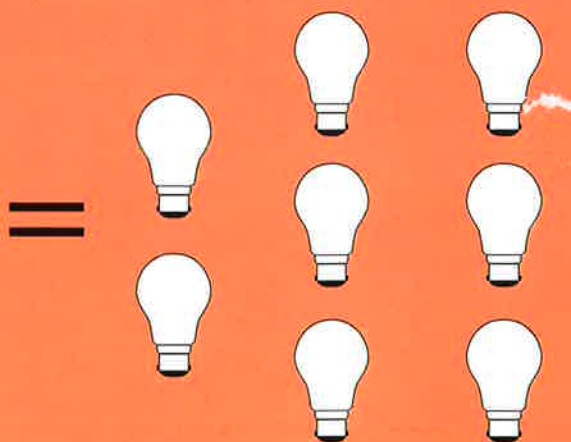
**HOTEL A**

Hotel A has 50 light points and uses 25W candle lamps in each point.  
Each lamp lasts 1,000 hours on average.

**HOTEL B**

Hotel B has 50 light points but uses 5W<sup>(1)</sup> (25W equivalent) Lynx Ambience lamps in each point.  
Each Lynx Ambience lasts 8,000 hours on average.

	<b>HOTEL A</b> Candle Lamp 25W 1 lamp = 1,000 hours therefore 8 lamps per light point are required.	<b>HOTEL B</b> Lynx Ambience 5W 1 lamp = 8,000 hours therefore 1 lamp per light point is required.
Lamp Cost <sup>(2)</sup>	8 x 50 x £1.48 each <b>£592</b>	1 x 50 x £4.56 each <b>£228</b>
Electricity Cost <sup>(3)</sup>	8,000 hours x 0.025 kW x £0.07 kWh x 50 <b>£700</b>	8,000 hours x 0.01 kW <sup>(1)</sup> x £0.07 kWh x 50 <b>£280</b>
Total Costs	<b>£1292</b>	<b>£508</b>
Total Savings		<b>£784 (60%)</b>



(1) 5W lamp (+5W control gear loss).  
 (2) 25W candle lamp net trade price of £1.48 each. 5W Lynx Ambience net trade price of £4.56 each.  
 (3) Based on typical electricity cost of 7p per kilowatt hour.

**Lynx Ambience adds atmosphere.** Thanks to its unique phosphor coating, Lynx Ambience is the first fluorescent lamp to blend all the welcoming glow of decorative lamps with all the savings of compact fluorescent.

**Lynx Ambience lasts longer.** Lynx Ambience lasts 8000 hours to give you as much as 3 years' of uninterrupted life. Standard incandescent lamps last a mere 1,000 hours on average.

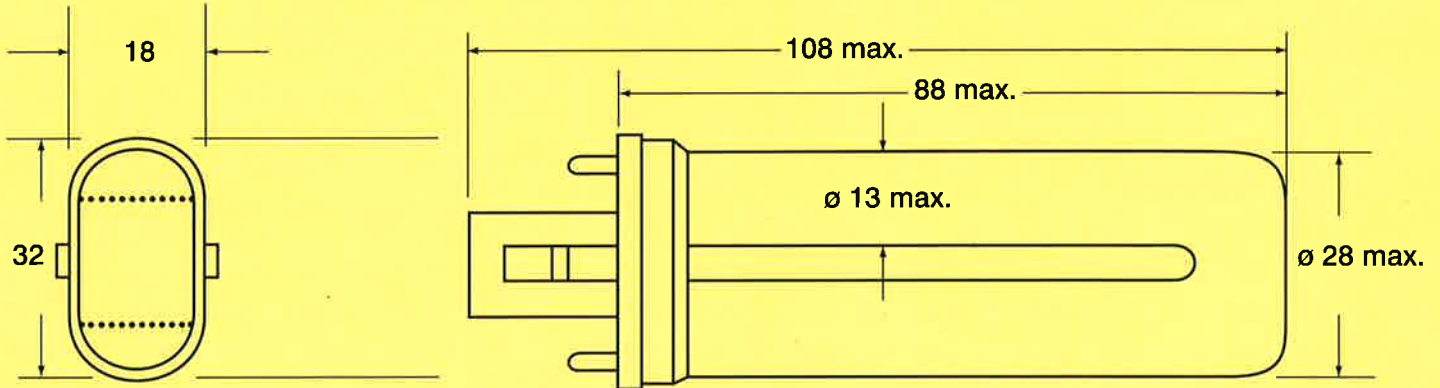
**Lynx Ambience saves energy.** Since a Lynx Ambience uses a mere 40% of the energy used by a traditional decorative lamp, you can also save a massive 60% on your electricity costs.

**Lynx Ambience saves time.** Lynx Ambience saves you time by reducing the man hours required to replace failed decorative lamps.

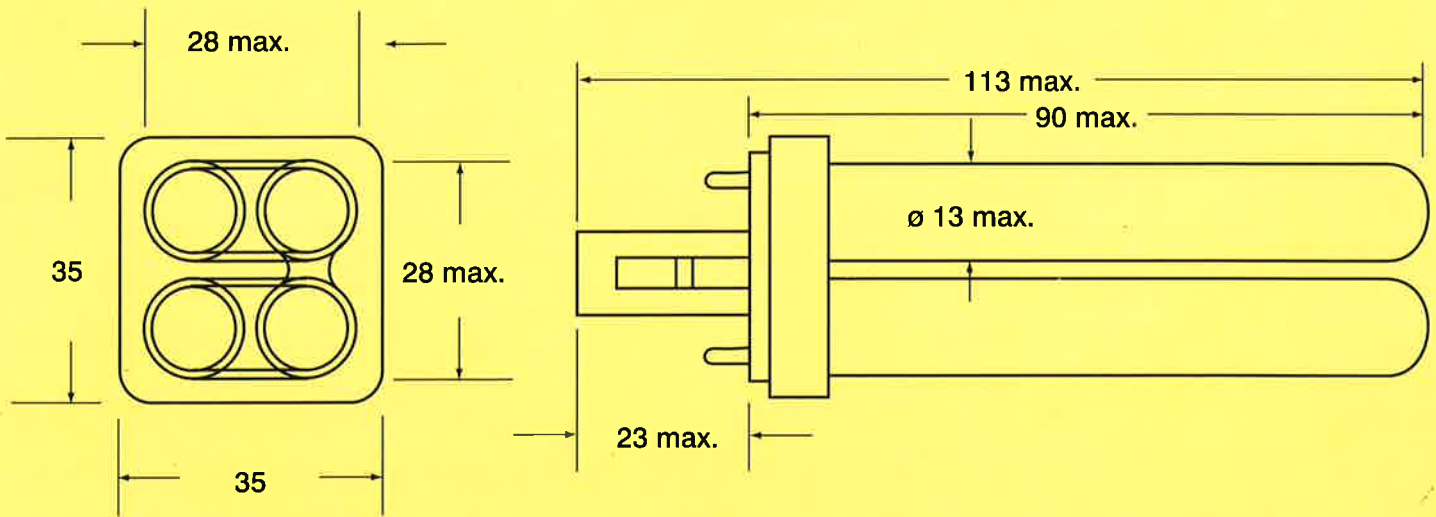
## Lynx Ambience Product Information

WATTAGE	PRODUCT DESCRIPTION	COLOUR	DIMENSIONS (MAX)		LIGHT OUTPUT (LUMENS)	EFFICACY (LM/W)	CAP TYPE	ORDERING NUMBER
			Ø	LENGTH				
5	LYNX - S	AMBIENCE - 119	28	108	180	36	G23	25515
10	LYNX - D	AMBIENCE - 119	28	113	450	45	G24d1	25516

### Lynx Ambience 5W - S



### Lynx Ambience 10W - D



Dimensions in millimetres

**STOCKIST:**

**LYNX**  
ambience

**SYLVANIA**

SLi Lighting Ltd, Otley Road, Charlestown, Shipley, West Yorkshire BD17 7SN. Telephone: 0274 532552.

SLi Lighting Ltd reserves the right to change data and specifications without notice. Data for guidance only.