

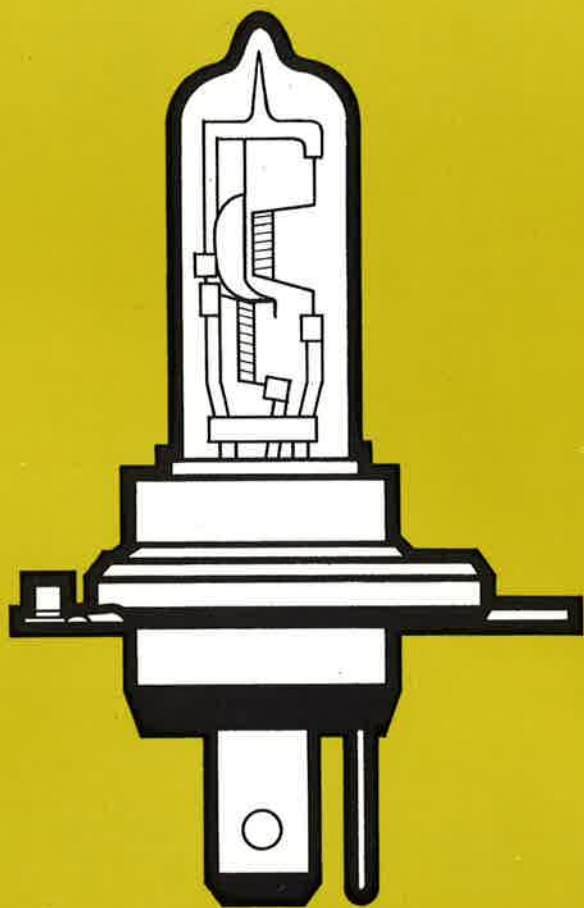
# edison

Halogen Lamps for cars



# ediswan

The new T-H4 la



# mp construction

This advanced mode of construction exclusive to the T-H4 design offers important advantages in performance.

## **Mechanical Strength**

Welding Tungsten filaments to support wires often causes severe changes in adjacent crystal structures and hence embrittlement.

The "frame mount" construction eliminates filament welding entirely – hence the fibrous structure of the tungsten filament tail and of the surrounding molybdenum metal is preserved in intimate contact within the pressure-clamped anchorages.

## **Precision alignment**

Optimum beam performance of the H4 headlight depends on precise alignment of the lamp components. Flat metal support surfaces for filament and shield location are of significant benefit to consistency. Pre-formed cranks in the filament tails are used to prohibit angular displacement during and after pressure-clamping.

## **Halogen and Getter combination**

The development of a complex halogen and getter dosing compound safeguards consistent high quality performance throughout life.

# edison

## Halogen Lamps for car

### H1

Lamp No.	Volts	Watts	Cap
26-0465	6	55	P14.5s
26-0448	12	55	P14.5s



### H3

Lamp No.	Volts	Watts	Cap
26-0455	6	55	PK.22s
26-0453	12	55	PK.22s
26-0460	24	70	PK.22s

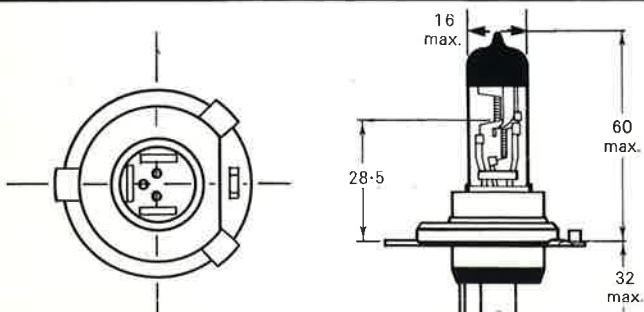
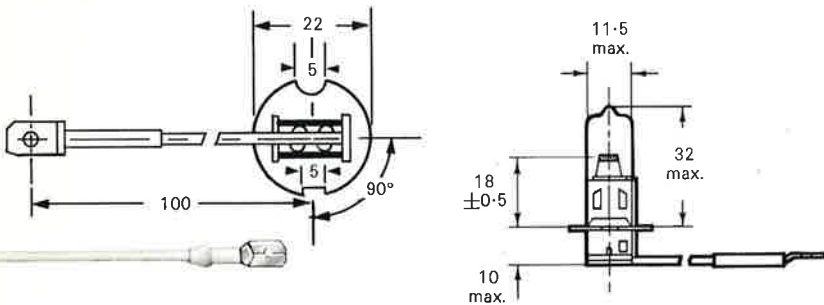
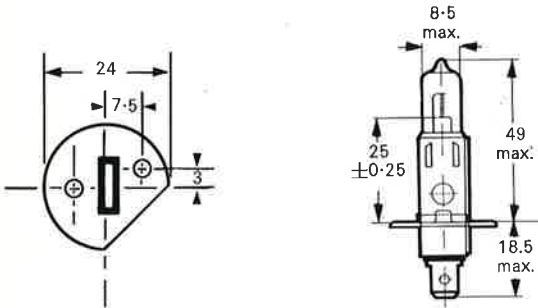


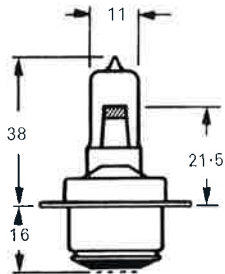
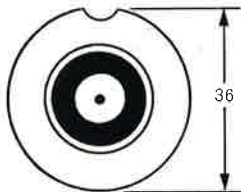
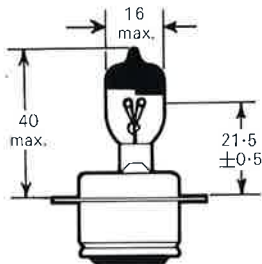
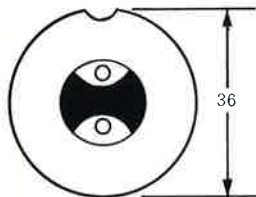
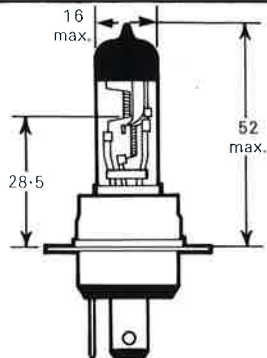
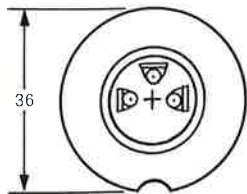
### H4

Lamp No.	Volts	Watts	Cap
26-0472	12	60/55	P43t-38



ars

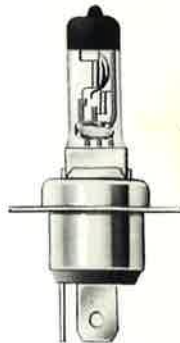




All dimensions are mm

# 463

Lamp No.	Volts	Watts	Cap
26-0463	12	60/55	P36t



# BPF

Lamp No.	Volts	Watts	Cap	Drive
26-0457	12	55/43	P36d	RH
26-0469	12	55/43	P36d	LH



Lamp No.	Volts	Watts	Cap
26-0454	6	55	P36s
26-0450	12	55	P36s
26-0458	24	70	P36d
26-0459	24	70	P36s



# THORN LIGHTING

*A member of the Thorn Group*

## Regional Headquarters

### LONDON REGION

Headquarters and Order Office:  
Victoria Trading Estate, Victoria Way,  
Charlton, S.E.7  
Tel: 01-858 3281  
Telex: Thornlite Charlton 896171

### EASTERN REGION

Headquarters and Order Office:  
Angel Road Works, 402 Angel Road,  
Edmonton, London, N.18  
Tel: 01-807 3050  
Telex: Thornlite Edmonton 23157

### SOUTH EAST REGION

Headquarters and Order Office:  
Thorn Industrial Estate, Homesdale Road,  
Bromley, Kent BR1 2OP  
Tel: 01-460 9966  
Telex: Thornlite Bromley 25823

### SOUTH WEST REGION

Headquarters and Order Office:  
Thorn House, Penarth Road,  
Cardiff, Wales CF1 7YP  
Tel: 0222-44200  
Telex: Thornlite Cardiff 49334

### MIDLANDS REGION

Headquarters and Order Office:  
Thorn House, Aston Church Road,  
Saltley Trading Estate, Birmingham 8  
Tel: 021-327 1535  
Telex: Thornlite Birmingham 33235

### NORTH WEST REGION

Headquarters and Order Office:  
Thorn House, 2 Claytonbrook Road,  
Clayton, Manchester M11 1BP  
Tel: 061-223 1322  
Telex: Thornlite Manchester 668642

### NORTH EAST REGION

Headquarters and Order Office:  
Thorn House, 3 Ring Road,  
Lower Wortley, Leeds 12  
Tel: 0532-636321  
Telex: Thornlite Leeds 55110

### SCOTLAND REGION

Headquarters and Order Office:  
Thorn House, Lawmoor Street,  
Glasgow, G5 0TT  
Tel: 041-429 6222  
Telex: Thornlite Glasgow 77630

### NORTHERN IRELAND

Headquarters and Order Office:  
10 Severn Street, Belfast BT4 1FB  
Tel: 0232-56004/5, 51477/9  
Telex: Thornlite Belfast 74695

### GOVERNMENT SALES UNIT

Atlas House, Great Cambridge Road,  
Enfield, Middlesex  
Tel: 01-363 5353

### HEAD OFFICE AND SHOWROOM

Thorn House, Upper Saint Martin's Lane,  
London WC2H 9ED  
Tel: 01-836 2444  
Telex: Thorn London 24184/5

## Overseas Companies

### AUSTRALIA

Thorn Lighting Inds (Pty.) Ltd.,  
Maldon Street, P.O. Box 74,  
Broadmeadows, Victoria 3047

### AUSTRIA

Thorn Electrical Industries G m b H  
1010 Wien, Rosenbursenstrasse 8

### CANADA

Thorn Lighting Canada Ltd.,  
2763 Thamesgate Drive  
Malton, Ontario.

### DENMARK

Thorn Electric A/S,  
Fabriksparken 4, 2600 Glostrup

### EIRE

Thorn Lighting Ltd.,  
41-42 Ushers Quay, Dublin 8

### FRANCE

Thorn Electricque,  
83, Rue Pierre Demours, Paris 17eme

### GERMANY

Thorn Licht Beleuchtungsges m b H.,  
2000 Hamburg 61, Borsteler Chaussee 287

### ITALY

Societa Industriale Vicentina Illuminazione S p A  
Casella Postale 604, 36100 Vicenza

### NEW ZEALAND

Thorn Electrical Industries (N.Z.) Ltd  
P.O. Box 15150,  
New Lynn, Auckland, 7

### NORWAY

Norske Thorn A/S,  
Postbox 7065, Oslo, 3

### SOUTH AFRICA

Thorn Lighting (S.A.) Ltd.,  
P.O. Box 43075,  
Industria, Transvaal

### SWEDEN

Svenska Thorn AB,  
Box 20075,  
161 20 Bromma 20



THE QUEEN'S AWARD  
TO INDUSTRY 1972  
TO THORN LIGHTING (FINLAND)